

OPERATING INSTRUCTIONS FOR
HEO-SERIES
HOT WATER PRESSURE WASHERS

PARTS LIST



CAUTION

RISK OF INJURY!

READ MANUAL BEFORE OPERATING!

This manual is an important part of the
pressure washer and must
remain with the unit when you sell it!

TABLE OF CONTENTS

INTRODUCTION	3
SAFETY WARNINGS.....	4
RISK OF EXPLOSION OR FIRE	4
RISK OF ASPHYXIATION.....	4
RISK OF ELECTROCUTION OR ELECTRIC SHOCK	4
RISK OF INJECTION OR SEVERE CUTTING INJURY	5
RISK OF BURNS.....	6
RISK OF BURSTING.....	6
RISK FROM MOVING PARTS	6
RISK OF BODILY INJURY	6
HEO-SERIES FEATURES.....	8
FEATURES LISTING.....	9
INSTALLATION	10
LOCATION AND PLACEMENT:.....	10
ELECTRICAL:.....	10
VENTILATION:.....	10
WATER SUPPLY:.....	11
HIGH PRESSURE CONNECTION:.....	11
PRE-OPERATION CHECKLIST:	12
PREPARATION	13
ATTIRE:	13
PRE-START:	13
BURNER FUEL TANK:	13
UNLOADER:	13
QUICK-CONNECT NOZZLES:	13
NOZZLE CONNECTION:	14
DUAL LANCE ASSEMBLY WITH ADJUSTABLE PRESSURE:.....	14
PRE-START INSPECTION PROCEDURES:	14
OPERATING INSTRUCTIONS	16
FLUSHING THE SYSTEM:	16
COLD WATER OPERATION:.....	16
HOT WATER OPERATION:.....	17
CLEANING WITH DETERGENTS:	17
SHUTDOWN:	18
OPTIONS:	18
MAINTENANCE.....	19
PREVENTIVE MAINTENANCE:	19
TROUBLESHOOTING	23
STATEMENT OF WARRANTY	26

NATIONAL CODES:

ANSI Z223.1 (NFPA NO. 54) NATIONAL FUEL GAS CODE.

NFPA NO. 70 (NEC) NATIONAL ELECTRICAL CODE.

CSA B149.1 GAS INSTALLATION CODE.

CSA C22.1 CANADIAN ELECTRICAL CODE PART 1.

⚠ WARNING

⚠ **WARNING:** This product can expose you to chemicals including Lead, which is known to the State of California to cause cancer and birth defects or other reproductive harm. For more information go to www.P65Warnings.ca.gov

⚠ WARNING

⚠ **WARNING:** This product can expose you to chemicals including carbon monoxide, which is known to the State of California to cause birth defects or other reproductive harm. For more information go to www.P65Warnings.ca.gov

INTRODUCTION

Congratulations on the purchase of your new HEO-SERIES pressure washer! You can be assured your pressure washer was constructed and designed with quality and performance in mind. Each component has been rigorously tested to ensure the highest level of acceptance.

This operator's manual was compiled for your benefit. By reading and following the simple safety, installation, operation, maintenance and troubleshooting steps described in this manual, you will receive years of trouble free operation from your new pressure washer. The contents of this manual are based on the latest product information available at the time of publication. Manufacturer reserves the right to make changes in price, color, materials, equipment, specifications or models at any time without notice.

! IMPORTANT !

These paragraphs are surrounded by a "SAFETY ALERT BOX." This box is used to designate and emphasize Safety Warnings that must be followed when operating this pressure washer.

Accompanying the Safety Warnings are "signal words" which designate the degree or level of hazard seriousness. The "signal words" used in this manual are as follows:

DANGER: INDICATES AN IMMINENTLY HAZARDOUS SITUATION WHICH, IF NOT AVOIDED, WILL RESULT IN DEATH OR SERIOUS INJURY.

WARNING: INDICATES A POTENTIALLY HAZARDOUS SITUATION WHICH, IF NOT AVOIDED, COULD RESULT IN DEATH OR SERIOUS INJURY.

CAUTION: INDICATES A POTENTIALLY HAZARDOUS SITUATION WHICH, IF NOT AVOIDED MAY RESULT IN MINOR OR MODERATE INJURY.

The symbols set to the left of this paragraph are "Safety Alert Symbols." These symbols are used to call attention to items or procedures that could be dangerous to you or other persons using this equipment.



ALWAYS PROVIDE A COPY OF THIS MANUAL TO ANYONE USING THIS EQUIPMENT. READ ALL INSTRUCTIONS BEFORE OPERATING THIS PRESSURE WASHER AND ESPECIALLY POINT OUT THE "SAFETY WARNINGS" TO PREVENT THE POSSIBILITY OF PERSONAL INJURY TO THE OPERATOR.

Once the unit has been removed from the box, immediately write in the serial number of your unit in the space provided below.

SERIAL NUMBER _____

Inspect for signs of obvious or concealed freight damage. If damage does exist, file a claim with the transportation company immediately. Be sure that all damaged parts are replaced and that the mechanical and electrical problems are corrected prior to operation of the unit. If you require service, contact Customer Service Representative.

Please have the following information available for all service calls:

1. Model Number
2. Serial Number
3. Date and Place of Purchase

SAFETY WARNINGS

RISK OF EXPLOSION OR FIRE

Serious injury or death may occur from normal sparks in the multiple ignition sources or burner exhaust.

Always operate pressure washer in a well ventilated area free of flammable vapors, combustible dust, gases or other combustible materials.

Do not store the pressure washer near an open flame or any equipment such as a stove, furnace, water heater, etc., which utilizes a pilot light or sparking device.

Do not allow lint or dust to collect in burner area.

Do not use this pressure washer to spray flammable material!

Do not smoke while filling burner fuel tank.

Never fill the burner fuel tank while the pressure washer is running or hot. Allow to cool two minutes before refueling.

Do not refuel in a poorly ventilated area.

Always refuel slowly to avoid the possibility of spilled fuel which may cause a risk of fire.

Serious injury or death may occur as a result of improper fueling.

Burner Fuel Tank:

Use No. 1 or No. 2 fuel oil/diesel or kerosene. Do not use gasoline, crank-case drainings or oil containing gasoline or solvents.

Do not operate the unit if fuel is spilled. Wipe the pressure washer clean and move it away from the spill. Avoid creating any ignition until the fuel has evaporated.

This pressure washer has a Safety Relief device which should never be altered, modified, removed or made inoperative. If the device fails, replace immediately with only genuine manufacturer replacement part.

RISK OF ASPHYXIATION

Serious injury or death may occur from inhaling burner exhaust or dangerous vapors.

Always make certain there is adequate ventilation (fresh outside air) for breathing and combustion. This will prevent the buildup of dangerous carbon monoxide gases. Beware of poorly ventilated areas, or areas with exhaust fans which can cause poor air exchange.

Follow all safety instructions provided with the materials you are spraying. Use of a respirator may be required when working with some materials. Do not use this pressure washer to dispense hazardous materials.

RISK OF ELECTROCUTION OR ELECTRIC SHOCK

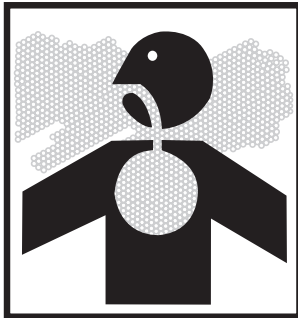
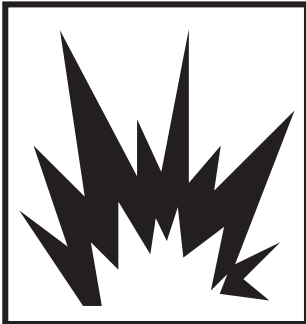
Serious injury or death could result from improper installation.

Installation of this unit including all electrical connections must comply with all local, state and national codes. (Standards to be followed include NFPA No. 70/NEC National Electrical Code. In Canada; Refer to the CSA C22.1 Canadian Electrical Code Part 1)

This unit must be connected to a grounded, permanent wiring system; or an equipment-grounding conductor must be run with the circuit conductors and connected to the equipment-grounding lead on the unit.

Serious injury or death could occur if the pressure washer is not properly grounded. Your pressure washer is powered by electricity and may cause electric shock or electrocution if not used properly.

Make sure the pressure washer is connected to a properly grounded source which provides correct voltage and adequate fuse protection. Disconnect



SAFETY WARNINGS

from power source when not in use or when making repairs.

Electrical shock may occur if pressure washer is not operated properly.

Never operate pressure washer with electrical enclosures open, removed or damaged.

Do not touch machine while standing in water or with wet hands. Never let the electrical supply or any connections lay in the water.

Serious injury or death may occur from contact with electricity.

DO NOT direct spray on or into electrical installations of any kind! This includes electrical outlets, light bulbs, fuse boxes, transformers, the unit itself, etc.

Serious injury or death may occur if electrical repairs are attempted by unqualified persons.

Any electrical wiring or repairs performed on this pressure washer should be done by authorized service personnel in accordance with local and national electrical codes.

Before opening any electrical enclosure, always shut off the pressure washer, relieve pressure and disconnect the pressure washer from the power source. Allow pressure washer to cool down. Never assume the pressure washer is safe to work on just because it is not operating. It could restart at any time!

RISK OF INJECTION OR SEVERE CUTTING INJURY

Serious injury or death could occur from high pressure spray penetrating the skin.

Keep clear of nozzle and spray! Never put your hand, fingers or body directly over the spray nozzle.

Never point the high pressure discharge stream at persons.

This equipment is to be used only by trained operators.

Always keep operating area clear of all persons.

To reduce the risk of injury, close supervision is necessary when using this equipment near children. DO NOT allow children to operate this unit.

SEEK EMERGENCY MEDICAL CARE if the spray appears to have penetrated the skin! DO NOT TREAT AS A SIMPLE CUT! Be prepared to tell a physician exactly what kind of cleaning agents you were using by reading the Material Safety Data Sheet (MSDS) provided with your detergent.

High pressure hoses should be inspected daily for signs of wear. If evidence of failure exists, promptly replace all suspect hoses to prevent the possibility of injury from the high pressure spray. If a hose or fitting is leaking, NEVER PLACE YOUR HAND DIRECTLY ON THE LEAK.

Before using pressure washer, or when quick connecting high pressure hoses and spray nozzles, be certain the "collar" on the female quick connect is locked securely to prevent accidental discharge and that all quick coupler fittings are secure.

NEVER operate the gun with the trigger wired in the open position. To prevent accidental discharge, the trigger gun should be securely locked when not in use.

Before removing the spray nozzle or servicing the unit, ALWAYS shut off the unit and trigger the gun to release trapped pressure. (Even after you shut off the unit, there is high pressure water left in the pump, hose and gun until you release it by triggering the gun.)



SAFETY WARNINGS

RISK OF BURNS



Serious injury may occur from touching the heat exchanger or vent piping. These areas can remain hot for some time after the pressure washer is shutdown.

Never allow any part of your body to contact the heat exchanger or the vent piping.

RISK OF BURSTING

Serious injury may occur from a pressure washer malfunction or exploding accessories if incorrect system components, attachments or accessories are used.

Never make adjustments to the factory set pressures.

Never exceed manufacturers maximum allowable pressure rating of attachments.

Do not allow any hoses to make contact with the heat exchanger to prevent the possibility of bursting. Avoid dragging the hoses over abrasive surfaces such as cement.

Serious injury or death may occur if attempting to start the pressure washer when the unit is frozen.

Use only manufacturer recommended repair parts for your pressure washer.

In freezing temperatures, the unit must always be warm enough to ensure there is no ice formation in the unit. Do not start the pressure washer without first allowing the unit to thaw.



RISK FROM MOVING PARTS

Serious injury may occur to the operator from moving parts on the pressure washer.

Do not operate the unit without all protective covers in place or make any adjustments without shutting off the pressure washer, relieving pressure and disconnecting the pressure washer from the power source. Allow pressure washer to cool down. Never assume the pressure washer is safe to work on just because it is not operating. It could restart at any time!



RISK OF BODILY INJECTION

Serious injury or death may occur from detergents contacting or penetrating the skin.

SEEK EMERGENCY MEDICAL CARE if the spray appears to have penetrated the skin! DO NOT TREAT AS A SIMPLE CUT! Be prepared to tell a physician exactly what kind of cleaning agents you were using by reading the Material Safety Data Sheet (MSDS) provided with your detergent.

Never use any solvents or highly corrosive detergents or acid type cleaners with this pressure washer.

Protective equipment such as rubber suits, gloves and respirators are advisable, especially when using cleaning detergents.

Keep all detergents out of the reach of children!

Serious injury can occur from loose debris being propelled at a high speed from the spray gun.

ALWAYS wear protective goggles when operating the unit to shield the eyes from flying debris and detergents.

DO NOT direct spray toward fragile materials such as glass for shattering could occur.



SAFETY WARNINGS

Injury may occur if the operator loses his balance caused by the thrust of water traveling through the spray nozzle.

Stay alert-watch what you are doing. Do not operate the unit when fatigued or under the influence of alcohol or drugs.

NEVER squeeze the trigger unless securely braced.

DO NOT overreach or stand on unstable support.

Wet surfaces can be slippery, wear protective foot gear and keep good footing and balance at all times.

NEVER trigger the gun while on a ladder or roof.

Injury may occur from the pressure washer.

ALWAYS hold on firmly to the gun/lance assembly when starting and operating the unit. Failure to do so can cause the lance to fall and whip dangerously.

Know how to stop the pressure washer and bleed pressures quickly. Be thoroughly familiar with controls.

DO NOT leave pressurized unit unattended. Shut off the pressure washer and release trapped pressure before leaving.

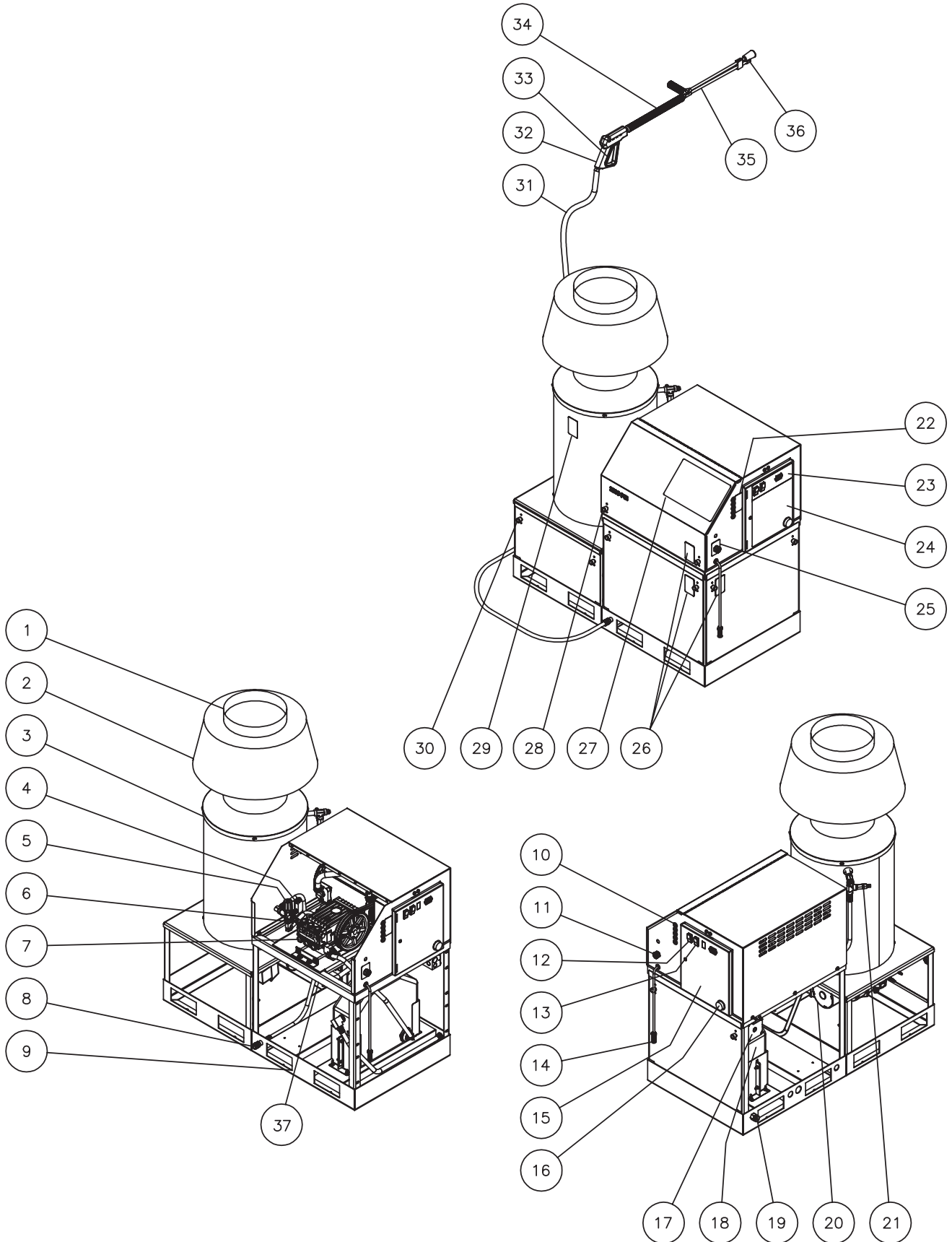
DO NOT operate the unit if you see any oil or water leaks from the machine. DO NOT resume operation until the unit has been inspected and repaired by a qualified serviceman.

Never make adjustments on the machine while in operation.

Before servicing the unit: shut off the pressure washer, relieve pressure and disconnect the pressure washer from the power source. Allow pressure washer to cool down. Never assume the pressure washer is safe to work on just because it is not operating. It could restart at any time!

 **SAVE THESE INSTRUCTIONS** 

HEO-SERIES FEATURES



HEO SERIES FEATURES-080212

FEATURES LISTING

- 1 Exhaust Outlet
- 2 Draft Diverter
- 3 Heat Exchanger
- 4 Pressure Switch
- 5 Pressure Trapping Unloader
- 6 Thermo Relief Valve
- 7 High Pressure Pump
- 8 High Pressure Outlet
- 9 Fork Truck Access
- 10 Nozzle Storage
- 11 Detergent Metering Valve
- 12 Pump Switch W/indicator Light
- 13 Burner Switch W/indicator Light
- 14 Detergent Strainer
- 15 Electrical Enclosure
- 16 Adjustable Thermostat
- 17 Electrical Junction Box
- 18 Float Tank W/filter
- 19 Water Inlet
- 20 Burner W/ Fuel Filter/ Water Separator
- 21 Pressure Relief Valve
- 22 Decal- Nozzles
- 23 Decal- Electric Box Switches (Pump/burner)
- 24 Decal- Operation
- 25 Decal- Detergent Valve
- 26 Decal- Warning: Risk Of Injury/exposed Pulleys
- 27 Decal- Warning/caution
- 28 Hinged Access Door
- 29 Decal- Warning: Hot Surfaces
- 30 Access Door
- 31 High Pressure Hose
- 32 Trigger Gun
- 33 Trigger Safety Lock
- 34 Insulated Lance
- 35 Adjustable Pressure Dual Lance
- 36 High Pressure Nozzles
- 37 Pump Oil Drain

INSTALLATION

LOCATION AND PLACEMENT:

⚠ DANGER RISK OF EXPLOSION OR FIRE! DO NOT PLACE UNIT IN AN AREA WHERE FLAMMABLE GAS VAPORS MAY BE PRESENT. A SPARK COULD CAUSE AN EXPLOSION OR FIRE!

⚠ RISK OF UNIT BURSTING! DO NOT LOCATE THE UNIT IN FREEZING ENVIRONMENTS!

1. This unit should be installed indoors by a qualified serviceman in a non-freezing, dry environment away from damaging winds and rain. If any part of the unit becomes frozen, excessive pressure may build up in the unit which could cause it to burst resulting in possible serious injury to the operator or bystanders. Normal precautions should be taken so that excess moisture does not reach the electrical controls or the power unit.
2. It should be placed in an area away from flammable or combustible material. These types of material should be kept at least 20 feet away from the gas-fired units.

⚠ WARNING RISK OF ASPHYXIATION! USE THIS PRODUCT ONLY IN WELL VENTILATED AREAS! THE EXHAUST CONTAINS CARBON MONOXIDE, A POISONOUS, ODORLESS AND INVISIBLE GAS. BREATHING THIS GAS CAN CAUSE SERIOUS INJURY, ILLNESS & POSSIBLE DEATH.

3. Avoid small areas and exhaust fans. Combustion becomes difficult and carbon monoxide may result in these areas. Allow enough space for servicing. Some codes will require certain distances from walls and flooring. Two feet away from the walls should suffice.
4. This unit should only be placed on a level surface to ensure proper lubrication for the water pump while operating. NEVER spray water directly on the unit.
5. DO NOT place unit in an area:
 - a. where flammable gas vapors may be present.
 - b. with insufficient ventilation.
 - c. where there is evidence of oil or fuel leaks.

ELECTRICAL:

⚠ WARNING RISK OF ELECTROCUTION! THIS UNIT MUST BE CONNECTED TO A PROPERLY GROUNDED OUTLET.

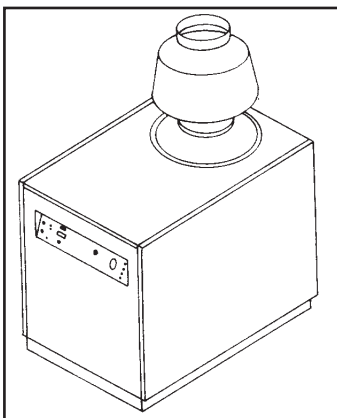
1. Installation of this unit should be performed by a qualified serviceman and all electrical installation must conform to all local, state and national codes, including NFPA No. 70 (NEC) National Electrical Code. In Canada; Refer to the CSA C22.1 Canadian Electrical Code Part 1.
2. This unit comes to you with the wires terminating in a junction box inside the cabinet. You must supply the incoming power source.
3. Ensure electrical supply is identical to the specifications listed on the pressure washer data plate.
4. Ensure all connections are secure and covers are replaced.

VENTILATION:

1. Installation of this unit in an indoor or in an enclosed area should be performed by a qualified serviceman and all venting must conform to all local, state and national codes, including the National Fuel Gas Code ANSI Z223.1/ NFPA No. 54. In Canada; Refer to the CSA B149.1 Gas Installation Code. The burner exhaust should be stacked to the outside atmosphere and a draft diverter should be installed as well.

NOTE: There should be no more than 6500 BTU per square inch of flue.

ILLUSTRATION #1
DRAFT DIVERTER



INSTALLATION

- A draft diverter must be installed above the exhaust outlet. This diverter breaks the chimney effect and enhances the draft through the burner for a more efficient flame. It also helps prevent cold air downdrafts from freezing the heat exchanger. (See illustration #1)
- Install the recommended flue pipe per local, state and national codes, including the National Fuel Gas Code ANSI Z223.1/NFPA No. 54. In Canada; Refer to the CSA B149.1 Gas Installation Code. If the flue pipe exceeds 10 feet in length or contains more than two elbows, the natural draft may be eliminated and the burner will not ignite. DO NOT install a movable flue pipe damper.
- If the unit is being installed in an enclosed room, provide adequate air for combustion by installing openings to the room near the ceiling for ventilation and near the floor for burner combustion. These openings should be sized using one square inch for each 1000 BTU per inch of the machine.

Example: A pressure washer with a 400,000 BTU input requires openings of 400 square inch or approximately 3 feet x 1 foot. (See illustration #2).

- If the building in which the unit is being installed seems unusually tightly constructed, it is recommended that air intakes extending to the outside of the building be employed to supply combustion air. End the intakes outside the building with a downward opening to protect these intakes from snow and/or rain. Include a mesh screen no smaller than 1/4" over the opening.

WATER SUPPLY:

- Select a water supply hose which is a quality grade of garden hose measuring at least 3/4" ID and no longer than 50'. (See illustration #3)
- Connect one end of the water supply hose to the water inlet of the unit. Connect the other end of the hose to your pressurized water supply.

NOTE: If there is a high mineral content in your water, it is recommended that a water softener be used to prevent the possibility of excessive scale buildup inside the heat exchanger coil.

- Be certain all connections are securely tightened.
 - Water supply hose to the Water Inlet on the unit.
 - Water supply hose to the Pressurized Water Supply.
- Follow the incoming water requirements listed below:
 - Water pressure must be between a minimum of 20 pounds per square inch (PSI) and a maximum of 65 PSI.
 - Incoming GPM must be approximately one gallon more than the outgoing GPM stated on the pressure washer I.D. Plate. (You can check GPM by timing how long it takes to fill a 5 gallon container.)
 - Incoming water temperature must not exceed 125°F. Excessive pump damage may result if the water temperature exceeds this acceptable level.

NOTE: If the water supply is inadequate or the hose is kinked, the unit will run rough and the burner will not fire.

- Never allow the unit to operate without the incoming water line attached and the water supply completely turned on.
- Ensure the water strainers are clean and free of any obstructions. Periodic cleaning of the water strainer will help prevent pump problems. As a strainer becomes obstructed, it restricts proper flow of water to the pump. This can result in cavitation which will cause premature failure of pump packings. Remove strainer screens, clean or replace.

HIGH PRESSURE CONNECTION:

Connect the high pressure discharge hose by connecting one end to the pressure washer and the other end to the gun assembly. Make certain the quick connects are securely locked together. (See illustration #4 and #5)

Operator's Manual

ILLUSTRATION #2
ENCLOSED ROOM VENTILATION

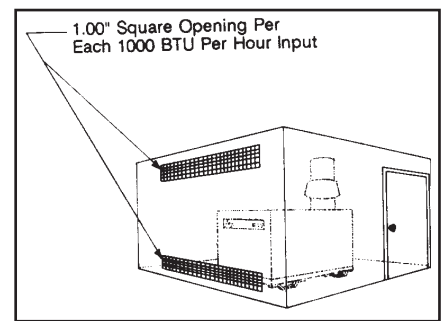


ILLUSTRATION #3
HOSE CONNECTION

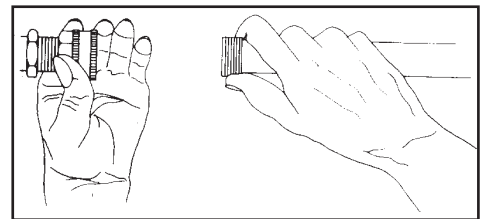


ILLUSTRATION #4
HIGH PRESSURE HOSE CONNECTION

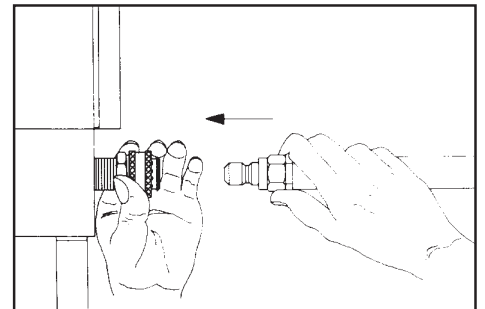
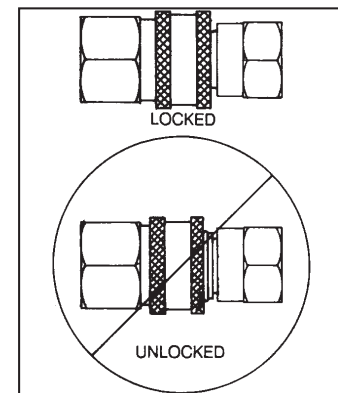


ILLUSTRATION #5
QUICK CONNECT



INSTALLATION

PRE-OPERATION CHECKLIST:

BEFORE STARTING THE UNIT, ANSWER THE QUESTIONS IN THIS CHECKLIST:

QUESTIONS		YES	NO
CODES:			
1.	Does the electrical supply meet respected codes?	___	___
2.	Does the ventilation system meet respected codes?	___	___
LOCATION:			
1.	Is the unit installed indoors on a level surface in a dry area protected from excessive wind, rain and moisture?	___	___
2.	Is the unit located away from flammable and combustible material?	___	___
3.	Is the unit located in a large enough area for adequate air flow?	___	___
ELECTRICAL:			
1.	Is the unit properly grounded?	___	___
2.	Do all electrical components used meet requirements shown on the unit I.D. Plate and is the voltage correct?	___	___
VENTILATION:			
1.	Are the correct flue pipe and draft hood sizes employed?	___	___
2.	Is there adequate ventilation for burner combustion?	___	___
3.	Is the unit properly vented to allow adequate air flow?	___	___
4.	Is exhaust stacked to outside atmosphere?	___	___
GENERAL:			
1.	Have all operators using this unit read the Installation and Operator's Manual and understood all safety warnings?	___	___
2.	Has the unit been installed by qualified service people who followed the Installation and Operator's Manual instructions?	___	___
3.	Is there ample water supply?	___	___

IF NO WAS MARKED FOR ANY OF THESE QUESTIONS, CORRECT THE SITUATION BEFORE OPERATING THIS UNIT.

PREPARATION

ATTIRE:

Proper attire is essential to your safety. It is advised to utilize whatever means necessary to protect eyes, ears, and skin. Additional safety attire (such as respiratory mask) may be required when using detergent cleaning agents with this pressure washer.



PRE-START:

1. Check to ensure the voltage is on.
2. Pump oil level should be checked before each use. Check the oil level with the dipstick on top of the pump crankcase. (See illustration #6.) The proper oil level should be at the notch on the dipstick. If the level appears low, use pump oil SAE20 or 30 non-detergent.
3. Inspect the water inlet strainer. Clean or replace if necessary. See "Water Supply".

BURNER FUEL TANK:

⚠ DANGER RISK OF FIRE! -DO NOT SMOKE WHILE FUELING! -DO NOT FILL THE FUEL TANK WHILE UNIT IS RUNNING OR HOT. ALLOW UNIT TO COOL FOR TWO MINUTES BEFORE REFUELING. -DO NOT FILL FUEL TANK TO POINT OF OVERFLOWING.

1. Review "Risk of Explosion or Fire", before fueling.

⚠ WARNING RISK OF EXPLOSION OR FIRE! ALWAYS STORE FUEL AWAY FROM THE WASHER WHILE THE UNIT IS RUNNING OR HOT.

2. Locate the Safety Decals on your unit and heed their warnings.
3. Fill the burner fuel tank with good quality, clean No. 1 or No. 2 fuel oil/diesel or kerosene. Do not use gasoline!

UNLOADER:

The unloader has been preset at the factory and should only be adjusted by a trained serviceman.

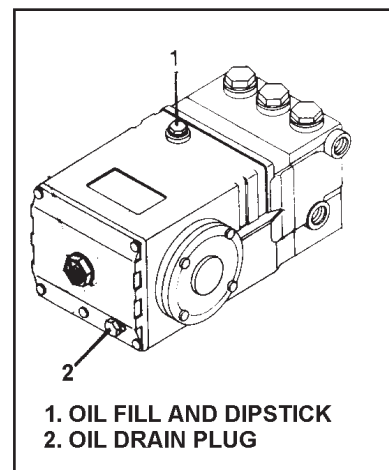
QUICK-CONNECT NOZZLES:

Various nozzles may be quick connected into the end of the adjustable pressure dual lance to change the spray pattern or use the detergent feature. When using Quick-connects (Q.C.), be certain the connection is securely locked. (See illustration #7). If not, the high pressure water may shoot the nozzle from the lance, causing severe injury or serious damage. To determine spray fan, (see illustration #8) refer to the actual number stamped on the nozzle. The first two digits indicate the spray fan in degrees, i.e., 00=0°, 15=15°, 25=25°, 40=40°.

1. The 0° nozzle (RED): This is a blasting nozzle. It delivers a very concentrated stream of water. Be cautious when using the straight narrow stream. It is not recommended for use on painted or wood surfaces or items attached with adhesive backings. Uses: Removing weeds from sidewalk cracks, stubborn stains from concrete, masonry, aluminum and steel, caked mud from equipment, and cleaning lawn mower undersides.
2. The 15° nozzle (YELLOW): This is a chiseling nozzle. The spray should be directed at a 45° angle to the surface and used like a scraper to remove paint, grease and dirt. Uses: Surface preparation (removing mildew stains and paint chips).
3. The 25° nozzle (GREEN):
 - a. This is a flushing nozzle. This pattern is best suited for flushing dirt, mud, and grime. Uses: Wet sweeping leaves from walk, curbs and driveways, cleaning stable floors, washing swimming pool bottoms, degreasing engines.

Operator's Manual

ILLUSTRATION #6
PUMP-REAR OIL GAUGE



1. OIL FILL AND DIPSTICK
2. OIL DRAIN PLUG

ILLUSTRATION #7
QUICK CONNECT

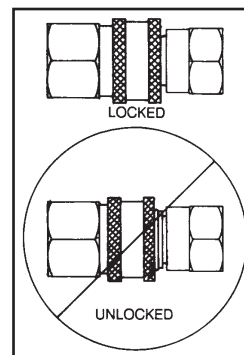
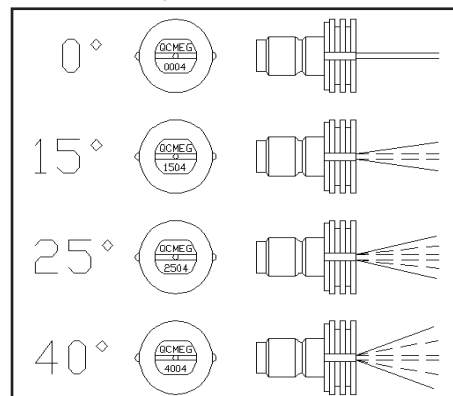
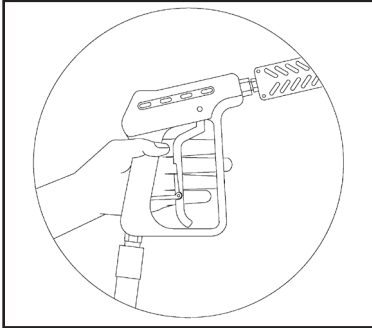


ILLUSTRATION #8
Q.C. NOZZLES



PREPARATION

ILLUSTRATION #9
GUN LOCK



- b. On units with steam option, this nozzle is used for 250°F Wet Steam operation. This nozzle is sized for operation with the unloader and steam valve (where applicable) to provide high pressure wet steam. Replacement of this nozzle with an improperly sized nozzle may cause operational problems with the machine.
4. The 40° nozzle (WHITE): This is a wash nozzle. This wide spray pattern disperses the water pressure over a large area and is recommended for moderate washing. Uses: Washing down aluminum siding, cleaning windows, washing vehicles, spraying sidewalks, driveways, and patios.

NOZZLE CONNECTION:

⚠ WARNING RISK OF INJECTION CAUSING SEVERE INJURY! THE TRIGGER GUN SHOULD ALWAYS BE LOCKED IN THE OFF POSITION WHEN NOT IN USE! NEVER LOOK DIRECTLY AT THE NOZZLE UNLESS IT IS DISCONNECTED FROM THE TRIGGER GUN/DUAL LANCE ASSEMBLY!

1. Ensure the trigger gun is locked in the OFF position. (See illustration #9)
2. The quick-connect nozzle should be disconnected from the adjustable pressure dual lance at this time. As shown in illustration #10, retract the locking ring on the quick-connect fitting to remove the nozzle.

ILLUSTRATION #10
NOZZLE CONNECTION

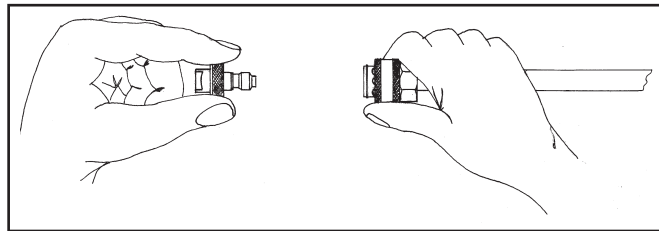
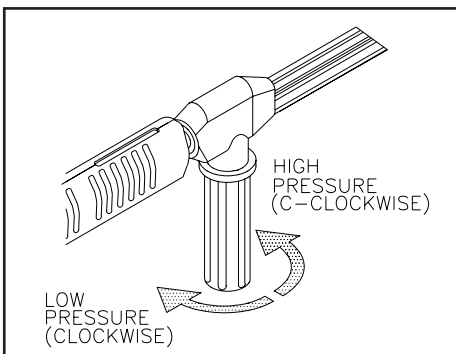


ILLUSTRATION #11
DUAL LANCE



DUAL LANCE ASSEMBLY WITH ADJUSTABLE PRESSURE:

1. This unit features an adjustable pressure dual lance with adjustable pressure which allows the user to select a high or low pressure "fan" spray. Simply rotate the adjustable grip on the dual lance to achieve the desired pressure selection.
 - a. Selection of high pressure can be achieved by turning the adjustable grip on the dual lance counterclockwise as shown in illustration #11.
 - b. Selection of low pressure can be achieved by turning the adjustable grip on the dual lance clockwise as shown in illustration #11. If using the detergent injector accessory, once the pressure is low enough, this injector on the pressure washer will draw detergent into the system. A water/detergent mixture exits from both the spray nozzle and detergent nozzle.

PRE-START INSPECTION PROCEDURES:

1. Before starting the unit, perform the following procedures:
 - a. Check all hose connections to ensure they are securely tightened.
 - b. Inspect for system water and oil leaks.
 - c. Inspect high pressure hoses for kinking, cuts and leaks. If a cut or leak is found, DO NOT USE HOSE! Replace hose before starting unit. See "Risk of Injection". Be sure that all damaged parts are replaced and that the mechanical problems are corrected prior to operation of the unit. If you require service, contact your Customer Service Representative.

 **WARNING** 

THE FOLLOWING PAGES CONTAIN OPERATING AND MAINTENANCE INSTRUCTIONS.

DO NOT ATTEMPT TO OPERATE THIS PRESSURE WASHER UNTIL YOU HAVE READ AND UNDERSTOOD ALL SAFETY PRECAUTIONS AND INSTRUCTIONS LISTED IN THIS MANUAL. FOLLOW THE MAINTENACE INSTRUCTIONS SPECIFIED IN THE MANUAL.


INCORRECT OPERATION OF THIS UNIT CAN CAUSE SERIOUS INJURY!!

DO NOT ALTER OR MODIFY THIS EQUIPMENT IN ANY MANNER!

OPERATING INSTRUCTIONS

Once your unit has been installed by a qualified serviceman and you have completed the PRE-OPERATION CHECKLIST, you are ready for operation. The following steps will help you operate your machine safely.


FLUSHING THE SYSTEM:

 **CAUTION RISK OF UNIT DAMAGE! BE CERTAIN THE GUN & DUAL LANCE ASSY. ARE NOT CONNECTED TO THE UNIT WHILE FLUSHING THE SYSTEM. FLUSHING ALLOWS MINERAL DEPOSITS TO BE RELEASED FROM THE SYSTEM WHICH WOULD OBSTRUCT OR DAMAGE THE GUN AND NOZZLE ASSEMBLY RESULTING IN COSTLY REPAIRS.**

1. This unit has a steel coil which, after setting, will cause the water remaining in the coil from the previous usage to turn brown or black. This water must be flushed from the system before start-up. This procedure should be performed without the gun and adjustable pressure dual lance installed.
 - a. Verify the water supply is on.
 - b. Move the pump switch to the "ON" position to start the pumping unit.
 - c. Run the unit for 3-5 minutes.
 - d. Turn off machine.
 - e. Once the system is flushed, connect the trigger gun and adjustable pressure dual lance to the high pressure hose.

COLD WATER OPERATION:

1. Refer to the "Safety Precautions" before starting the unit.
2. Locate the Safety Decals on your unit and heed their warnings.
3. Ensure that the burner switch is in the "OFF" position.

 **DANGER RISK OF INJECTION CAUSING SEVERE INJURY! KEEP CLEAR OF NOZZLE! NEVER PLACE HAND OR FINGERS IN FRONT OF NOZZLE! DO NOT DIRECT DISCHARGE STREAM AT PEOPLE OR PETS!**

4. Pointing the trigger gun in a safe direction, unlock the trigger gun and squeeze the trigger. Brace yourself for possible gun kickback when the pump starts.
5. Move the pump switch to the "ON" position to start the pumping unit.
6. Once the unit has started, perform the following procedures with the gun open:
 - a. Inspect for system water and oil leaks.
 - b. Inspect high pressure hoses for leaks. If a leak is found, DO NOT TOUCH HOSE AT LEAK!!! TURN UNIT OFF IMMEDIATELY! Replace hose before using the unit. See "Risk of Injection". Be sure that all damaged parts are replaced and that the mechanical problems are corrected prior to operation of the unit.
7. At this point, the unit is operating as a cold water pressure washer. Trigger the gun several times and try adjusting the water pressure by rotating the grip on the dual lance. NEVER place hand or fingers in front of the nozzle or look directly into the nozzle! High pressure water creates a risk of severe injury!
8. Do not allow unit to operate in bypass mode (with trigger closed) for more than three minutes without triggering the gun. Failure to follow this simple rule can cause premature failure of pump packing seals, resulting in costly pump repair.

 **CAUTION RISK OF DAMAGE! DO NOT ALLOW SPRAY PATTERN TO REMAIN ON A FIXED AREA FOR AN EXTENDED PERIOD OF TIME. POSSIBLE DAMAGE MAY OCCUR TO THE AREA.**

9. Your pressure washer can deliver high pressure spray and a variety of spray

OPERATING INSTRUCTIONS

patterns using cold water. If you wish to use the hot water application or cleaning with detergents.

HOT WATER OPERATION:

⚠ WARNING RISK OF BURN! THE WATER TEMPERATURE COULD BECOME VERY HOT DURING HOT WATER OPERATION. BE CAUTIOUS WHEN ADJUSTING PRESSURE OR CONTROLLING THE TRIGGER GUN/DUAL LANCE ASSEMBLY.

1. Follow the steps outlined for "COLD WATER OPERATION."

⚠ IMPORTANT WHEN COLD WATER IS BEING PUMPED INTO THE HEAT EXCHANGER AND THE BURNER IS ON, CONDENSATION MAY FORM ON THE COIL AND DRIP. THIS WILL GIVE THE APPEARANCE OF A LEAKING COIL PARTICULARLY IN COLD HUMID WEATHER.

2. Move the burner switch to the ON position. On initial start-up, water will begin turning hot in approximately 60 seconds and will reach maximum temperature in approximately 3 minutes, provided the trigger remains squeezed. The burner will stop firing when the trigger is released.
3. Set thermostat to the desired setting.

At this point, the unit is operating as a hot water pressure washer. Be certain to be extremely cautious when adjusting the pressure and controlling the trigger gun/dual lance assembly to avoid the possibility of burns.

4. Recheck the system for fuel leaks. If a fuel leak is found, TURN UNIT OFF IMMEDIATELY! See "Risk of Explosion or Fire".

CLEANING WITH DETERGENTS:

This feature is designed for use with mild detergents only. Since the cleaning solution travels through the heat exchanger coil, do not use corrosives as they will cause extensive damage as well as pose a considerable safety hazard.

1. Be certain to wear protective safety attire.
2. Prepare detergent solution according to label directions. (Never pump acids, alkalines, abrasive fluids or solvents through the unit.)
3. Fully immerse the strainer end of the clear vinyl detergent hose into the detergent solution.
4. Adjust the amount of detergent desired by turning the detergent adjustment knob to the desired setting.
5. To apply solution, unlock the trigger gun and squeeze the trigger. In a few moments a detergent/water mixture will exit the nozzle. Start spraying the lower portion of the surface being cleaned and move up, using long overlapping strokes. Applying from the bottom up helps avoid streaking. Allow to soak briefly. Avoid working on hot surfaces or in direct sunlight to minimize the chances of the detergent drying, which may result in damaging surfaces. Be certain to clean a small section at a time.
6. To rinse, turn the detergent adjustment knob to the OFF position. It will take about 30 seconds to purge all detergent from the line. For best rinsing results, start at the top and work down.

NOTE: If machine is equipped with remote box (es), read for information on detergent solenoid.

7. Siphon a gallon of water through the detergent system after each use. This prevents the possibility of corrosion or detergent residue causing mechanical problems during the next use.

NOTE: The detergent adjustment knob or detergent solenoid MUST be turned to the OFF position when not in use or when the strainer is not totally submerged in solution. If not, the pump will lose its prime resulting in no spray discharge at the nozzle. This condition will damage the pump over an extended time period.

OPERATING INSTRUCTIONS

SHUTDOWN:

1. If the burner switch is still on, turn it off.
2. Squeeze the trigger and discharge the water for a period of three minutes to cool the heat exchanger and high pressure hose. (Insufficient cool down period of the high pressure hose will cause excessive wear and eventual rupturing of the hose.)
3. Move the pump switch to the "OFF" position to stop the pumping unit. If machine has the time-delay shut-down option, wait for timer to time-out and shut machine off. See below for more information on time-delay shutdown.
4. Trigger the gun momentarily to relieve trapped pressure.

OPTIONS:

REMOTE BOXES

The remote box option allows the unit to be controlled from up to four remote workstations. The remote stations are wired in parallel to allow the operator to have full control of the unit from any station at anytime. Detergents are controlled by a chemical solenoid added to the main unit and control switches on the remote boxes.

The maximum run for the remote wiring are as follows:

14 Gauge Wire - 200 feet

16 Gauge Wire - 100 feet

TIME-DELAY SHUTDOWN

The time-delay shutdown option provides an adjustable automatic shutdown for the main unit. The factory presets the time-delay shutdown interval at 2 1/2 minutes. This option overrides the operation of the pump on/off switch for control of the pump motor shutdown.

AUTO START/STOP

The auto start/stop option provides an adjustable automatic shutdown and a pressure switch to restart the unit automatically when the gun is triggered. The factory presets the time-delay shutdown interval at 2 1/2 minutes. This option is not available with remote box option or flow-activated unloader option.

STEAM - 250°F

The 250°F steam option provides wet steam output from the unit. By adjusting the steam valve on the main control panel for the unit and using the included steam nozzle, 250°F steam is obtained. The sizing of the steam nozzle is critical to proper operation of the option.

MAINTENANCE

PREVENTIVE MAINTENANCE:

LEAKS:

Promptly eliminate any leaks found in the pumping system by removing suspect parts, applying thread sealant to the threads and reinstalling.

Note: If using teflon tape, be certain no tape gets inside any plumbing to prevent the possibility of a plugged spray nozzle.

QUICK COUPLERS:

There are o-ring seals inside the couplers which will deteriorate. To replace, simply install a replacement o-ring to correct the leak. (See illustration #12) (Additional o-rings can be purchased from your dealer.)

NOZZLE:

Water flow through the spray nozzle will erode the orifice, making it larger, resulting in a pressure loss. Nozzles should be replaced whenever pressure is less than 85% of the maximum. The frequency of replacement will depend upon such variables as mineral content in the water and number of hours the nozzle is used.

PUMP:

1. Change the pump oil after the first 50 hours of operation. After initial change, every 3 months or 250 hour intervals are recommended. If oil appears dirty or milky, changes may be required in greater frequency.
2. Locate the pump oil drain hose.
3. Use an empty container to catch the oil and remove the plug from the drain line. (See illustration #13)
4. Let all the oil drain from the pump and replace drain plug. Dispose of used oil according to local, state and national regulations.
5. Fill the pump crankcase to the notch on the dipstick with pump oil SAE20 or 30 non-detergent. Do not overfill.

BELT TENSION:

Ensure unit is off. Remove the side panel or lift lid to inspect the v-belts for wear and tightness. If the v-belt needs to be replaced or tightened, follow the procedures listed below and see illustration #14.

Replacement:

1. Loosen the four pump mounting bolts (A).
2. Loosen the two alignment nuts approximately one inch on the alignment bolts (B1 & B2).
3. Slide the pump toward the motor to loosen belts.
4. Remove and replace belt.

Tighten: (If v-belt was not replaced, you will need to loosen the nuts on the alignment bolts B1 and B2 before proceeding.)

1. Tighten B2 alignment bolt. The pump will shift to the left until there is tension on the belt. Then tighten B2 nut.
2. Tighten B1 alignment bolt, until sheaves are straight. (Use a straightedge for alignment.)
3. Push on the v-belt to check belt deflection for tension. There should be 1/4" to 1/2" deflection for correct tension.
4. If sheaves are straight and tension is correct, tighten B1 nut and the four pump mounting bolts (A).
5. If tension is not correct, repeat steps 6 and 7 until correct alignment and tension is achieved. Tighten the four mounting bolts (A) when completed.
6. Loosen B2 nut, tighten B2 bolt, tighten B2 nut.

ILLUSTRATION #12
QUICK COUPLERS

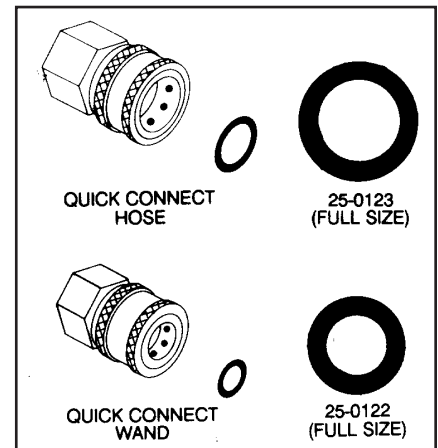


ILLUSTRATION #13
PUMP OIL DRAIN

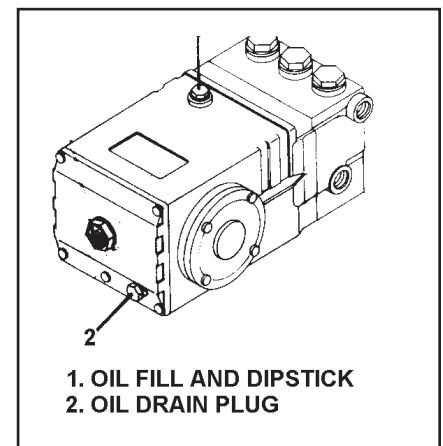
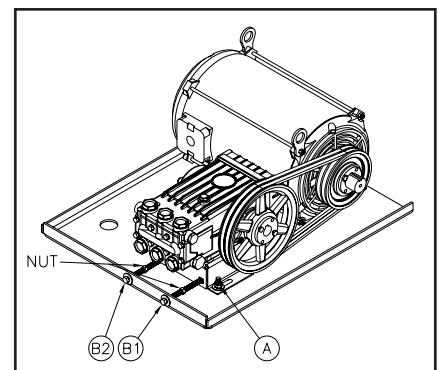


ILLUSTRATION #14
BELT TENSION ADJUSTMENT



MAINTENANCE

7. Loosen B1 nut, tighten B1 bolt, tighten B1 nut.

DELIME COIL:

A loss in pressure may signify that the coil needs to be delimed. Do this procedure on a periodic basis.

1. Mix deliming powder/solution according to package directions.
2. Remove the nozzle from the wand. Place a nylon stocking over the wand assembly to collect debris, then place the wand assembly into the float tank.
3. Turn the switch to the "Pump" position. Water will circulate throughout the system and back into the float tank. Allow circulation to continue for 2-4 hours.
4. Turn the switch to the "Off" position. Drain and clean the float tank. Remove nylon stocking and clean wand assembly.
5. Flush the entire system with clean, fresh water, then replace nozzle into wand assembly.
6. Dispose of deliming solution according to local, state and national regulations.

TEST VOLTAGE & AMP DRAW:

Use a volt meter and amp meter to test the machine for correct voltage and amperage. If you do not have these instruments or do not know how to use them, this procedure should be performed by an authorized service technician.

FUEL FILTER/WATER SEPARATOR:

Inspect bowl on fuel filter/water separator for water accumulation. If water exists, unscrew drain valve on bowl to drain water, then close.

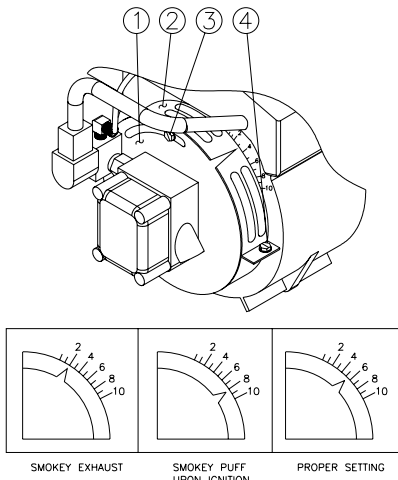
BURNER AIR ADJUSTMENT:

The air shutter has been factory preset for proper operation between sea level and 2000 feet elevation at standard conditions (60°F ambient water and air temperatures). In colder temperatures or higher altitudes, it may be necessary to adjust the air supply to the combustion chamber. This adjustment will maximize burner efficiency and avoid inefficient operation or excessive sooting of the heat exchanger coil. A smoke spot test is recommended during any air shutter and band adjustment. If you do not have the equipment to perform a smoke spot test, follow the procedures listed below.

1. The machine must be running and the burner ON.
2. Loosen the Locking Screw (#3 on illustration #15) on the shutter.
3. Check for smoke from the heat exchanger exhaust. If smoke is not present, slowly close the Air Shutter (#1 on illustration #15) by moving the dial counterclockwise to a lower number. Continue moving the dial until smoke appears.
4. Record this setting.
5. Open Air Shutter (#1 on illustration #15) two increments. Example: If Air Shutter was set at 2, move it to 4.
6. Slowly trigger the gun on and off. This will cause the burner to turn on and off. Look for a smoke puff when the burner ignites.
7. Repeat steps 5 and 6 until a smoke puff is noticed. Record the Air Shutter Setting.
8. The difference between the recorded settings in steps 4 and 7 is the combustion window. Set the dial 1/2 way between these settings.

NOTE: If you are unable to detect a setting on either step 3 or 7, more or less air may be needed to achieve a proper combustion window. Loosen the Bolt (#4 at left) and open the Air Band (#2 on illustration

ILLUSTRATION #15
BURNER AIR ADJUSTMENT



MAINTENANCE

#15) in 1/4" increments. Repeat steps 3-8 until proper combustion window is achieved.

TEST WATER & FUEL PRESSURE:

These procedures should be performed by an authorized service technician.

TEST WATER TEMPERATURE:

This procedure should be performed by an authorized service technician

WINTERIZING:

For storage and transportation purposes in subfreezing ambient temperatures, it will be necessary to winterize this unit. This unit must be protected to the lowest incurred temperature for the following reasons:

1. If any part of the pumping system becomes frozen; excessive pressure may build up in the unit which could cause the unit to burst resulting in possible serious injury to the operator or bystanders.
2. The pumping system in this unit may be permanently damaged if frozen. FREEZE DAMAGE IS NOT COVERED BY WARRANTY.

If you must store your unit in an area where the temperature may fall below 32°F, you can protect your unit by following one of the procedures listed below.

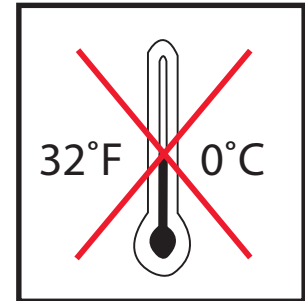
⚠ RISK OF UNIT BURSTING. DO NOT STORE / OPERATE UNIT IN A FREEZING ENVIRONMENT!

AIR BLOWOUT:

1. Remove the nozzle from the wand assembly. Squeeze the trigger until water ceases to exit the wand assembly.
2. Connect an air fitting from an air hose to the strainer fitting in the float tank.
3. Run compressed air into the system to remove all water from the system.

ANTIFREEZE SOLUTION:

1. Pour a 50/50 mixture of antifreeze and water into the float tank.
2. Place the detergent strainer into 100% antifreeze solution
3. Turn the switch to the "Pump" position. Allow antifreeze to siphon throughout the system until antifreeze solution exits the outlet. (To ensure the coil is winterized, antifreeze solution must exit the outlet. Add more 50/50 mixture to the float tank if necessary.)



MAINTENANCE

PREVENTIVE OPERATOR MAINTENANCE CHART

PROCEDURE	DAILY	3 MONTHS	6 MONTHS	9 MONTHS	12 MONTHS
Check water pump oil level	X				
Oil leak visual inspection	X				
Fuel leak visual inspection	X				
Water leak visual inspection	X				
Hose visual inspection	X				
Water strainer inspection	X				
High pressure nozzle inspection	X				
Fuel filter/water sep. inspection	X				
Change water pump oil **		X	X	X	X
Replace high pressure nozzle***		X	X	X	X
Inspect belt		X	X	X	X
Check burner air adjustment		X	X	X	X
Test water pressure*		X	X	X	X
Test water temperature*		X	X	X	X
Replace fuel filter			X		X
Test fuel pressure*					X
Delime coil****					X
Test voltage and amp draw*					X
Inspect fuel pump filter*					X
Check burner electrodes*					X
Replace fuel nozzle*					X

* Should be performed by an authorized service technician.

** The pump oil must be changed after the first 50 hours of operation and every 500 hours or 3 months, whichever comes first.

*** High pressure nozzle should be replaced whenever pressure is less than 85%.

**** Scale build up will vary with mineral content in the water and amount of usage. Deliming can range from weekly to yearly maintenance.

TROUBLESHOOTING

SYMPTOM	PROBABLE CAUSE	REMEDY
Motor will not run.	Circuit overload.	Determine if voltage is on. If not, check wall breaker or fuse.
	Secondary circuit overload.	Check primary and secondary fuses on transformer.
	Motor overload.	Reset thermal overload button on pump motor or thermal overload in electrical box. Contact Customer Service.
No discharge at nozzle when trigger mechanism is squeezed.	Water turned off.	Check incoming water supply. Increase hose diameter and provide adequate water supply (20 PSI, 6 GPM for 5 GPM, 11 GPM for 10 GPM units).
Low or fluctuating pressure.	Inadequate water supply.	Tighten all water intake connections.
	Pump sucking air. (Prime eliminated.)	Eliminate leaks in intake line.
	High pressure detergent valve is open without the end of the hose inserted into detergent (causes vacuum leak and eliminates prime).	Close valve or submerge detergent hose into solution. Reprime pump.
	Kink in high pressure discharge hose.	Replace kinked high pressure hose.
	Adjustable grip on dual lance is not in high pressure mode.	Turn grip counterclockwise to move to high pressure.
	Obstructed or worn spray nozzle.	Remove, clean or replace.
	Damaged or obstructed valve assy. in pump.	Remove, clean or replace.
	Pump packings worn.	Replace packings.
Oil appears milky or foamy.	Water in oil.	Change pump oil. Fill to proper level.
	Oil leaking from pump.	Worn seals or o-rings. Contact Customer Service.
Detergent will not siphon.	Detergent strainer is not completely submerged in detergent solution.	Check, submerge if necessary.
	Detergent strainer obstructed.	Inspect, clean or replace.
	Detergent hose cut, obstructed or kinked.	Inspect, clean or replace.
	Detergent adjusting knob turned to "OFF" position.	Open adjusting knob. Refer to "Cleaning With Detergents".
Water flows back into detergent container.	Ball and spring in strainer missing or corroded.	Remove, clean or replace.

TROUBLESHOOTING

SYMPTOM	PROBABLE CAUSE	REMEDY
Water flows from the nozzle when the trigger gun is locked in OFF position.	Trigger gun is malfunctioning.	Repair or replace.
Burner will not ignite.	Switch is defective.	Check switch position or replace.
	Adjustable Thermostat is defective or in the "Off" position.	Check switch position or replace.
	No voltage.	Contact Customer Service.
	Out of fuel.	Refuel.
	Fuel tank inlet tube screen obstructed.	Remove, clean or replace tube.
	Trigger gun is closed.	Open trigger gun for pressure.
	Pressure switch override.	Pressure should be over 250 PSI/ 15 Bar to allow burner to come on. (Pressure should be checked by an authorized service technician.)
	Fuel pickup screen is obstructed.	Contact Customer Service.
	Temperature above thermostat setting.	Unit will automatically reignite when cool.
	Flexible coupler broken.	Replace.
	Dirty or clogged fuel filter.	Drain or replace as necessary.
	Fuel pump sucking air.	Tighten all fuel intake connections. Eliminate leaks in intake line.
	Fuel pump inoperative.	Check pressure, replace if needed. (Pressure should be checked by an authorized service technician.)
	Dirty or clogged fuel nozzle.	Replace.
	Improper burner air adjustment	Contact Customer Service.
	Ignition transformer failure.	Replace.
	Ignition electrodes not set properly, damaged or worn.	Contact Customer Service.
Fuel solenoid valve failure.	Replace.	
High PSI mode.	Verify burner switch is in the "ON" position.	
Water is leaking under heat exchanger coil.	Condensation.	May occur in cool, humid conditions. (See in "IMPORTANT" section in manual.)
	Ruptured heat exchanger coil.	Replace.
Burner motor will not run.	Switch is defective position.	Check switch position or replace.
	No voltage.	Contact Customer Service.
	Motor overload.	Reset when cool.
	Fuel pump seized.	Allow motor to cool. Repair or replace.
Burner runs erratically.	Water in the fuel oil.	Drain fuel filter/water separator. Drain fuel tank, and replace with clean fuel.
	Dirty fuel filter/water separator.	Replace element.
	Fuel pickup screen is obstructed.	Contact Customer Service.
	Dirty fuel nozzle.	Replace.
	Improper air adjustment setting	Adjust as explained in manual.
Fuel pump malfunctioning.	Replace.	

TROUBLESHOOTING

SYMPTOM	PROBABLE CAUSE	REMEDY
Burner runs, but will not heat.	Low fuel pump pressure.	Check fuel pump pressure, adjust or replace if needed. (Pressure should be checked by an authorized service technician.)
	Dirty fuel nozzle.	Replace.
	Improper air adjustment setting.	Adjust as explained
Burner discharges white smoke.	Low on fuel.	Refuel. If white smoke persists, contact Customer Service.
	Low fuel pressure.	Check fuel pump pressure, adjust or replace if needed. (Pressure should be checked by an authorized service technician.)
	Fuel pickup screen is obstructed.	Contact Customer Service.
	Dirty fuel nozzle.	Replace.
	Improper air adjustment setting.	Adjust as explained in manual.
	Cold combustion chamber start-up.	Run burner for several minutes.
	Excessive air supply.	Adjust as explained in manual.
Burner discharges black smoke.	Insufficient air supply.	Adjust as explained in manual.
	Fuel nozzle orifice is too large.	Replace with correct nozzle.
	Fuel pressure is too high.	Contact Customer Service.
	Combustion chamber loaded with unburned fuel.	Contact Customer Service.

STATEMENT OF WARRANTY

The manufacturer warrants all parts (except those referred to below) of your new pressure washer to be free from defects in materials and workmanship during the following periods:

For Lifetime (Limited):

Pump Manifold

For Ten (10) Years limited from the date of original purchase:

High Pressure Pump

For Five (5) Years limited from the date of original purchase:

Heat Exchanger Coil

For Two (2) Years limited from the date of original purchase:

Guard or Shields Plumbing

Frames Pulleys

For One (1) Year limited from the date of original purchase:

Gas Valve Ignition Control

Adjustable Thermostat Control Transformer

For Six (6) months from the date of original purchase:

Ignition Transformer Burner Motor

For Ninety (90) Days from the date of original purchase:

Unloader Valve Pressure Switch Ignitor Assembly

High Limit Thermostat Regulating Valve Electrodes

Safety Switches Fuel solenoid Fuel Pump

For Thirty (30) Days from the date of original purchase:

High Pressure Hose Trigger Gun

Strainers/Filters Wand

Defective parts not subject to normal wear and tear will be repaired or replaced at our option during the warranty period. In any event, reimbursement is limited to the purchase price paid.

EXCLUSIONS

1. Engine/motor is covered under separate warranty by its respective manufacturer and is subject to the terms set forth therein.
2. Normal wear parts:
Pump Packings Spray Nozzles
Pump Valves Detergent Valves Quick Couplings
3. This warranty does not cover parts damaged due to normal wear, misapplication, misuse, operation at other than recommended speeds, pressures or temperature. Parts damaged or worn because of the use of caustic liquids or by operation in abrasive or corrosive environments or under conditions causing pump cavitation are not warranted. Failure to follow recommended operating and maintenance procedures also voids warranty.
4. The use of other than Genuine Repair Parts will void warranty. Parts returned, prepaid to our factory or to an Authorized Service Center will be inspected and replaced free of charge if found to be defective and subject to warranty. There are no warranties which extend beyond the description of the face hereof. Under no circumstances shall the manufacturer bear any responsibility for loss of use of the unit, loss of time or rental, inconvenience, commercial loss or consequential damages.

TABLE DES MATIÈRES

INTRODUCTION	29
AVERTISSEMENTS CONCERNANT LA SÉCURITÉ	30
RISQUE D'INCENDIE OU D'EXPLOSION.....	30
RÉSERVOIR DU BRÛLEUR :	30
RISQUES D'ASPHYXIE.....	30
RISQUES D'ÉLECTROCUTION OU DE CHOC ÉLECTRIQUE	30
RISQUES D'INJECTION OU DE COUPURE GRAVE	31
RISQUES DE BRÛLURES.....	32
RISQUES D'ÉCLATEMENT.....	32
RISQUES POSÉS PAR LES PIÈCES EN MOUVEMENT.....	32
RISQUES DE BLESSURES CORPORELLES.....	33
LISTE DES COMPOSANTS	35
INSTALLATION	36
EMPLACEMENT ET POSITIONNEMENT DE L'APPAREIL:	36
ALIMENTATION ÉLECTRIQUE:.....	36
VENTILATION:.....	37
ALIMENTATION EN EAU:.....	37
RACCORDEMENT HAUTE PRESSION:	38
LISTE DE VERIFICATIONS AVANT LA MISE EN MARCHÉ:	39
PRÉPARATION	40
TENUE DE TRAVAIL:.....	40
AVANT LA MISE EN MARCHÉ:.....	40
RÉSERVOIR DU BRÛLEUR :	40
DÉCHARGEUR:	40
BUSES À MONTAGE RAPIDE :	40
RACCORDEMENT DES BUSES:.....	41
DOUBLE LANCE À PRESSION REGLABLE:	41
INSPECTION DE SECURITE AVANT LA MISE EN MARCHÉ:	42
INSTRUCTIONS D'UTILISATION	44
RINÇAGE DU SYSTÈME:	44
UTILISATION AVEC EAU FROIDE:.....	44
UTILISATION AVEC EAU CHAUDE:.....	45
NETTOYAGE AVEC ADDITION DE DETERGENTS:	45
ARRÊT DE L'APPAREIL:	46
OPTIONS:	46
ENTRETIEN	48
HIVÉRISATION:.....	50
DEPANNAGE	52
DÉCLARATION DE GARANTIE	55
NOTA	56

Codes nationaux:

ANSI Z223.1 (NFPA N° 54) - code national des carburants gazeux (é-U)

NFPA N° 70 (NEC) - code national électrique (é-U)

Au Canada; Se référer au code d'installation de gaz CSA B149.1

Au Canada; Se référer au code électrique Canadien CSA C22.1 Partie 1

⚠ AVERTISSEMENT

⚠ AVERTISSEMENT: Ce produit peut vous exposer à des produits chimiques, tel que le plomb, qui est reconnu par l'état de la Californie comme étant une cause de cancer, d'anomalies congénitales et d'autres problèmes liés à la reproduction. Pour plus de renseignements, aller à www.P65Warnings.ca.gov

⚠ AVERTISSEMENT

⚠ AVERTISSEMENT: Ce produit peut vous exposer à des agents chimiques, y compris carbon monoxide, identifiés par l'État de Californie comme pouvant causer des malformations congénitales ou autres troubles de l'appareil reproducteur. Pour de plus amples informations, prière de consulter www.P65Warnings.ca.gov.

INTRODUCTION

Nous vous félicitons d'avoir acheté ce nouveau laveur haute pression de la série HEO ! Soyez assuré que votre laveur haute pression a été conçu et construit avec un souci de qualité et de haute performance. Chaque composant a subi des essais rigoureux pour garantir le plus haut degré de satisfaction.

Ce manuel de l'utilisateur, établi à votre intention, est composé de simples rubriques consacrées à la sécurité, à l'installation, à l'exploitation, à l'entretien et au dépannage de votre nouveau laveur haute pression. En lisant ce manuel et en observant scrupuleusement les instructions fournies, vous serez assuré d'un fonctionnement sans problème pendant de longues années. Le contenu de ce manuel est basé sur les informations les plus récentes disponibles au moment de la publication sur les divers composants du laveur. Manufacturé se réserve le droit de modifier le prix, la couleur, les matériaux, l'équipement, les spécifications ou les modèles sans aucun préavis.

IMPORTANT

Ces paragraphes sont insérés dans un « ENCADRÉ DE SÉCURITÉ ». Cet encadré identifie et signale des avertissements de sécurité qui doivent être suivis durant la marche du laveur haute pression. Accompagnant ces avertissements de sécurité, des mots clés indiquent le sérieux du danger. Les mots clés utilisés dans ce manuel sont les suivants :

DANGER : INDIQUE UNE SITUATION PRÉSENTANT UN DANGER IMMINENT QUI, S'IL ELLE N'EST PAS ÉVITÉE, VA PROVOQUER DES BLESSURES GRAVES, VOIRE MORTELLES.

ATTENTION : INDIQUE UNE SITUATION POTENTIELLEMENT DANGEREUSE QUI, S'IL ELLE N'EST PAS ÉVITÉE, RISQUE DE PROVOQUER DES BLESSURES GRAVES, VOIRE MORTELLES.

MISE EN GARDE : INDIQUE UNE SITUATION POTENTIELLEMENT DANGEREUSE QUI, S'IL ELLE N'EST PAS ÉVITÉE, RISQUE DE PROVOQUER DES BLESSURES LÉGÈRES OU DE GRAVITÉ MOYENNE.

Les symboles à gauche de ce paragraphe sont des symboles avertisseurs. Ces symboles attirent l'attention du lecteur quant aux éléments et procédures présentant un danger potentiel pour lui et pour les autres utilisateurs de ce matériel.



TOUJOURS FOURNIR UNE COPIE DE CE MANUEL À QUICONQUE UTILISE CE MATÉRIEL. L'OPÉRATEUR DOIT LIRE TOUTES LES INSTRUCTIONS AVANT D'UTILISER CE LAVEUR HAUTE PRESSION, EN INSISTANT BIEN SUR LES AVERTISSEMENTS TOUCHANT À LA SÉCURITÉ POUR ÉVITER LES RISQUES DE BLESSURES.

Une fois l'appareil déballé, inscrire immédiatement son numéro de série à la ligne ci-dessous.

NUMÉRO DE SÉRIE _____

Inspecter le matériel reçu pour vérifier qu'aucun dommage évident ou caché n'est présent. En cas de dommages, porter immédiatement une réclamation auprès du transporteur. S'assurer que toutes les pièces endommagées ont été remplacées et que tous les problèmes d'ordre mécanique ou électrique ont été résolus avant de mettre l'appareil en marche. Si un dépannage est nécessaire, contacter le service clients.

En cas d'appel de dépannage, avoir sous la main toutes les informations ci-dessous :

1. Numéro de modèle
2. Numéro de série
3. Date et lieu d'achat

AVERTISSEMENTS CONCERNANT LA SÉCURITÉ

RISQUE D'INCENDIE OU D'EXPLOSION

Les étincelles normalement produites par les sources d'allumage multiples ou l'échappement du brûleur risquent d'occasionner des blessures graves ou mortelles.

Utilisez le nettoyeur haute pression exclusivement dans un endroit bien ventilé et dépourvu de vapeurs inflammables, de poussière combustible, de gaz ou autre combustibles.

Ne pas stocker le nettoyeur à proximité d'une flamme ouverte ou d'appareils équipés d'un dispositif d'allumage par étincelle ou d'une flamme pilote, tel que les cuisinières, chaudières, chauffe-eau, etc.

Ne pas utiliser ce nettoyeur haute pression pour la pulvérisation de produits inflammables!

L'utilisation d'un carburant inadapté risque d'occasionner des blessures graves ou mortelles.

Ne pas fumer lors du remplissage du réservoir à carburant du brûleur.

Ne jamais remplir le réservoir à carburant du brûleur lorsque l'appareil est en marche ou encore chaud. Laissez refroidir l'appareil pendant deux minutes avant de faire le plein.

Ne pas remplir le réservoir de carburant dans un local mal ventilé.

Remplissez le réservoir lentement afin d'éviter les risques de déversement qui pourraient provoquer un incendie.

RÉSERVOIR DU BRÛLEUR :

Utilisez du mazout N°1 ou N°2, du carburant diesel ou du kérosène. Ne pas utiliser d'essence, d'huile de vidange ou d'huile contenant de l'essence ou des solvants.

Ne pas utiliser l'appareil après un déversement de carburant. Essuyez-le et éloignez-le du déversement. Attendez que le carburant se soit évaporé avant de mettre le moteur en marche.

Des blessures graves ou mortelles peuvent résulter du mauvais entretien des dispositifs de sécurité du système.

Ce nettoyeur haute pression est équipé d'un détendeur thermostatique qu'il ne faut jamais altérer, modifier, enlever ou neutraliser. En cas de défaillance de ce dispositif, remplacez-le immédiatement par un détendeur d'origine identique.

Prévenir toute accumulation de peluches ou poussières à proximité du brûleur.

RISQUES D'ASPHYXIE

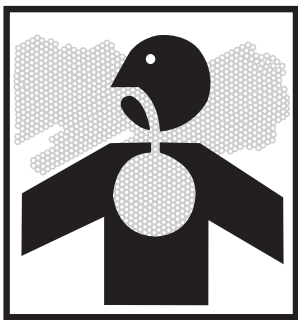
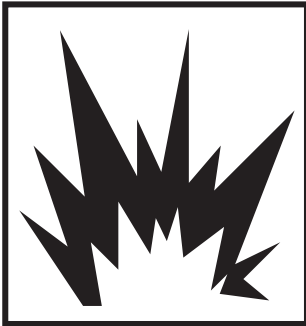
L'inhalation des gaz d'échappement du brûleur ou de vapeurs toxiques peut entraîner des lésions graves, voire mortelles.

Toujours s'assurer que la ventilation est adéquate (air frais venant de l'extérieur) pour permettre la respiration et la combustion. Ceci évitera une accumulation dangereuse d'oxyde de carbone. Se méfier des locaux mal aérés ou des locaux possédant des ventilateurs d'évacuation susceptibles de nuire aux échanges d'air.

Suivre toutes les recommandations applicables aux matériaux soumis à la pulvérisation. L'utilisation d'un respirateur peut être nécessaire avec certains matériaux. Ne pas se servir du laveur haute pression pour pulvériser des produits nocifs.

RISQUES D'ÉLECTROCUTION OU DE CHOC ÉLECTRIQUE

Une installation incorrecte peut entraîner des blessures graves, voire mortelles.



AVERTISSEMENTS CONCERNANT LA SÉCURITÉ

L'installation de cet appareil, y compris tous les raccordements électriques, doit se conformer à tous les codes locaux, provinciaux et nationaux. (Parmi les normes à respecter, la norme NFPA N° 70/NEC Code électrique national. Au Canada; Se référer au code électrique Canadien CSA C22.1 Partie 1).

Cet appareil doit être branché à une installation électrique permanente avec mise à la terre; ou un fil conducteur relié à une terre doit être tiré avec les fils conducteurs du circuit électrique et branché sur la borne de mise à la terre de l'appareil.

Une mise à la masse incorrecte du laveur haute pression peut entraîner des blessures graves, voire mortelles. Ce laveur haute pression marche à l'électricité et risque de provoquer des électrocutions ou des chocs électriques s'il est utilisé

Vérifier que le laveur haute pression est branché à une source correctement mise à la terre, fournissant la tension correcte et protégée comme il se doit par un disjoncteur. Couper l'alimentation électrique lorsque l'appareil est inutilisé ou avant de procéder à des réparations.

Des chocs électriques sont possibles si le laveur haute pression est utilisé de manière incorrecte.

Ne jamais utiliser le laveur haute pression lorsque ses armoires électriques sont ouvertes, démontées ou endommagées.

Ne pas toucher la machine avec des mains mouillées ou si l'on est sur un sol mouillé. Ne jamais laisser les câbles d'alimentation ni une quelconque connexion reposer dans l'eau.

NE JAMAIS diriger directement le jet de pulvérisation vers du matériel électrique, quel qu'il soit ! Ceci inclut les prises électriques, les ampoules, les tableaux de distribution, les transformateurs, l'appareil lui-même, etc.

Le contact avec la source de courant peut entraîner des blessures graves, voire mortelles.

NE JAMAIS mettre en contact les parties métalliques du laveur haute pression avec des composants sous tension.

Toute réparation ou câblage électrique de ce laveur haute pression doit être effectué par un réparateur agréé et conformément aux codes électriques locaux et nationaux.

Des réparations électriques par des personnes non qualifiées peuvent entraîner des blessures graves, voire mortelles.

Avant d'ouvrir une quelconque armoire électrique, toujours éteindre puis dépressuriser le laveur haute pression et le débrancher de son alimentation électrique. Attendre qu'il se refroidisse. Ne jamais présumer que l'on peut intervenir sans danger sur le laveur haute pression simplement parce qu'il est arrêté. Il pourrait redémarrer à tout moment !

RISQUES D'INJECTION OU DE COUPURE GRAVE

La pulvérisation à haute pression risque de pénétrer la peau et de provoquer des blessures graves, voire mortelles.

Se tenir à distance de la buse et de la pulvérisation ! Ne jamais placer la main, les doigts ou toute partie du corps sur la buse de pulvérisation.

Ne jamais pointer la pulvérisation à haute pression dans votre direction ou en direction de quiconque.

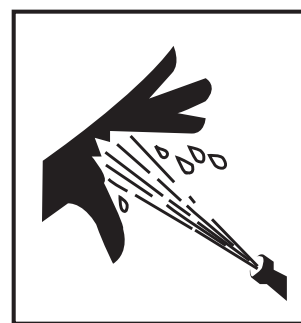
Se tenir à l'écart du jet. Ne pas diriger le jet de sortie vers d'autres personnes.

Ce produit est destiné uniquement à des personnes formées à son utilisation.

Personne ne doit se trouver dans la zone d'utilisation de l'appareil.

Pour réduire le risque de blessures, surveiller les enfants de près quand

Manuel de l'utilisateur - Laveur haute pression à eau chaude



AVERTISSEMENTS CONCERNANT LA SÉCURITÉ

vous vous servez de l'appareil à côté d'eux. **INTERDIRE** aux enfants d'utiliser cet appareil.

OBTENIR DES SOINS MÉDICAUX D'URGENCE si la pulvérisation paraît avoir pénétré la peau ! Ne pas traiter ceci comme une simple coupure ! être prêt à informer le médecin du type de produits nettoyants utilisé en consultant les fiches signalétiques (MSDS) fournies avec les détergents.

Les boyaux haute pression doivent être inspectés quotidiennement pour vérifier l'absence de signes d'usure. Si une défectuosité est évidente, remplacer tous les boyaux suspects pour éviter le risque de blessures par la pulvérisation haute pression. Si un boyau ou un raccord fuit, **NE PLACER JAMAIS LA MAIN DIRECTEMENT SUR LA FUITE.**

Avant d'utiliser le laveur haute pression, ou lors de la connexion par raccord rapide des boyaux haute pression aux buses de pulvérisation, s'assurer que le collier du raccord rapide femelle est soigneusement verrouillé afin d'éviter une décharge fortuite et que tous les raccords d'accouplement rapide sont solidement engagés.

NE JAMAIS UTILISER le pistolet avec sa gâchette bloquée en position ouverte. Pour éviter des décharges accidentelles, cette gâchette doit être solidement verrouillée lorsque le pistolet est inutilisé.

Avant de démonter la buse de pulvérisation ou avant un dépannage de l'appareil, **TOUJOURS** arrêter l'appareil et appuyer sur la gâchette du pistolet pour relâcher la pression résiduelle au sein du système. (Même après l'arrêt de l'appareil, la pompe, le boyau et le pistolet contiennent encore de l'eau sous forte pression, la pression n'étant dissipée qu'en actionnant la gâchette du pistolet.)

RISQUES DE BRÛLURES

Le fait de toucher l'échangeur de chaleur ou la conduite d'évacuation risque de provoquer de graves blessures. Ces pièces peuvent rester brûlantes, même après l'arrêt du laveur haute pression.

Veiller à ne jamais toucher l'échangeur de chaleur ou le conduit d'évacuation.

RISQUES D'ÉCLATEMENT

Si l'on utilise des composants, ou accessoires incorrects, de graves blessures sont à craindre par suite d'un mauvais fonctionnement du laveur haute pression ou de l'explosion d'un de ses accessoires.

Ne jamais modifier les réglages de pression faits en usine.

Ne jamais dépasser la pression maximale permise par le fabricant des accessoires utilisés.

Pour éviter des éclatements accidentels, faire en sorte qu'aucun boyau ne puisse venir en contact avec l'échangeur de chaleur. éviter de traîner les boyaux sur des surfaces abrasives, telles les surfaces cimentées.

N'utiliser que des pièces de rechange recommandées par le fabricant du laveur haute pression.

Toute tentative de mise en marche d'un laveur haute pression gelé risque de provoquer des blessures graves, voire mortelles.

En cas de gel, l'appareil doit toujours être suffisamment chaud pour empêcher la formation de glace à l'intérieur. Ne pas mettre en marche le laveur tant qu'il n'est pas dégelé.

RISQUES POSÉS PAR LES PIÈCES EN MOUVEMENT

Les pièces en mouvement du laveur haute pression sont susceptibles de blesser grièvement l'opérateur.

Ne pas utiliser l'appareil sans que tous ses capots de protection soient



AVERTISSEMENTS CONCERNANT LA SÉCURITÉ

en place et ne faire aucun réglage sans tout d'abord arrêter et dépressuriser l'appareil, puis le débrancher de son alimentation électrique. Laisser l'appareil se refroidir. Ne jamais présumer que l'on peut intervenir sans danger sur le laveur haute pression simplement parce qu'il est arrêté. Il pourrait redémarrer à tout moment !

RISQUES DE BLESSURES CORPORELLES

Des blessures graves, voire mortelles sont possibles si le détergent pénètre la peau ou entre en contact avec elle.

OBTENIR DES SOINS MÉDICAUX D'URGENCE si la pulvérisation paraît avoir pénétré la peau ! Ne pas traiter ceci comme une simple coupure ! être prêt à informer le médecin du type de produits nettoyants utilisés en consultant les fiches signalétiques (MSDS) fournies avec les détergents.

Ne jamais utiliser de solvants ou de détergents fortement corrosifs ou des produits nettoyants acides avec ce laveur haute pression.

Il est conseillé de porter des équipements de protection, tels combinaisons caoutchoutées, gants et respirateurs, surtout lorsqu'on utilise des détergents.

La projection de débris à très grande vitesse par le pistolet de pulvérisation peut provoquer de graves blessures.

Tenir tous les détergents hors de portée des enfants.

TOUJOURS porter des lunettes protectrices durant l'utilisation de l'appareil afin de se protéger des projections de débris et de détergent.

L'opérateur risque de se blesser si la pression de l'eau sortant de la buse de pulvérisation le déséquilibre.

NE PAS diriger la pulvérisation sur des matériaux fragiles comme le verre car ils risquent de se briser.

Rester attentif - être conscient de ce que l'on fait. Ne pas utiliser l'appareil s'il l'on est fatigué, en état d'ébriété ou sous l'influence de médicaments ou drogues.

NE JAMAIS presser sur la gâchette tant que l'on n'a pas assuré sa position.

NE PAS essayer d'atteindre des objets trop éloignés. NE PAS se tenir sur des supports instables.

Les surfaces mouillées peuvent être glissantes. Porter des chaussures de protection et constamment assurer son équilibre et avoir le pied sûr.

NE JAMAIS presser sur la gâchette s'il l'on est sur un toit ou une échelle.

TOUJOURS tenir fermement le pistolet / la lance durant la mise en marche et l'utilisation de l'appareil. L'inobservation de cette consigne peut entraîner la chute de la lance qui risque alors de se déplacer avec violence.

Savoir comment arrêter le laveur haute pression et le dépressuriser rapidement. Bien connaître toutes ses commandes.

NE PAS laisser l'appareil sous pression sans surveillance. Avant de s'en éloigner, l'arrêter et relâcher la pression résiduelle.

NE PAS utiliser l'appareil si des fuites d'huile ou d'eau se manifestent. NE PAS reprendre l'utilisation tant que l'appareil n'a pas été inspecté et réparé par un réparateur qualifié.

Ne jamais modifier les réglages de l'appareil pendant la marche.

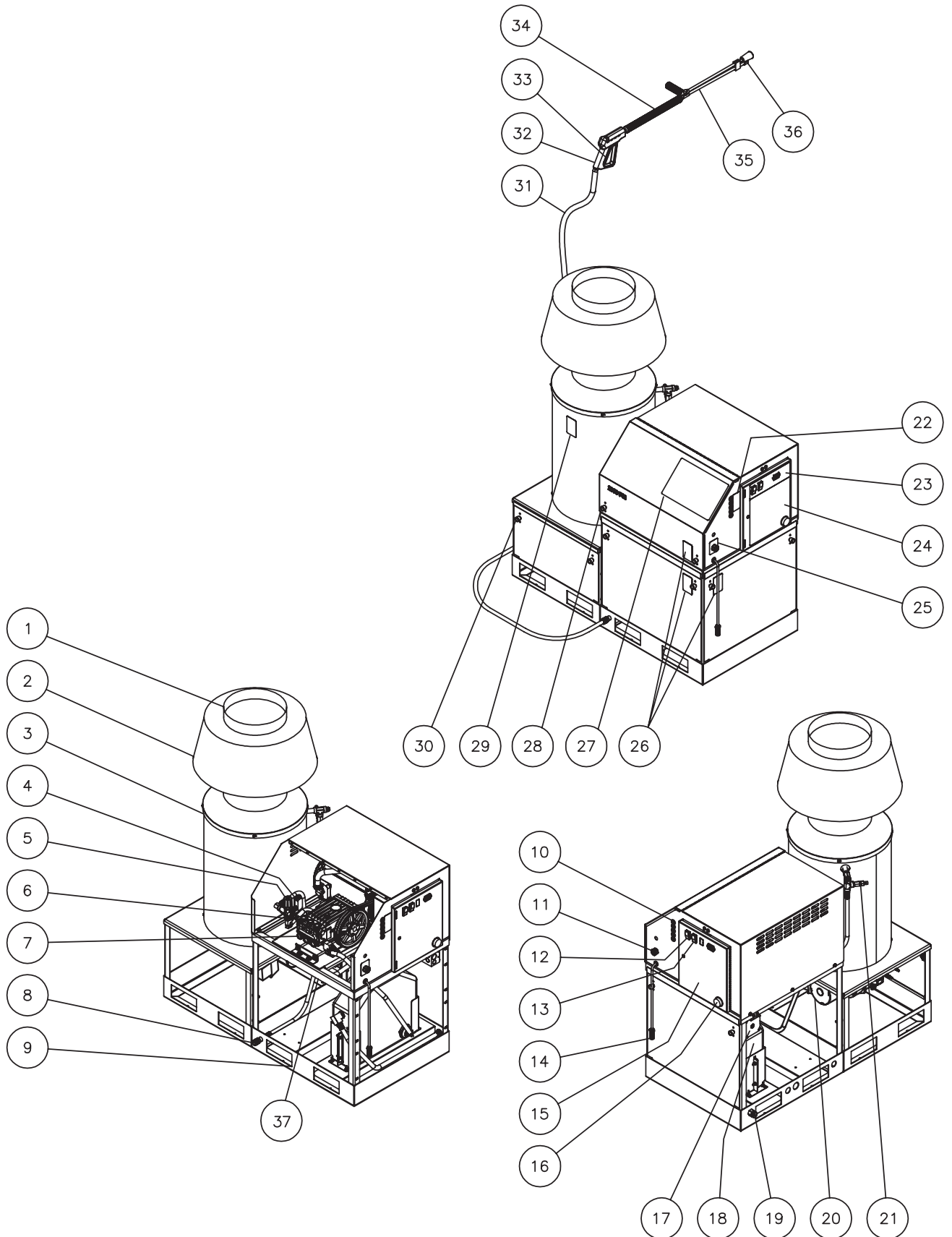
Avant tout dépannage, arrêter l'appareil, relâcher sa pression résiduelle et le débrancher de son alimentation électrique. Laisser l'appareil se refroidir. Ne jamais présumer que l'on peut intervenir sans danger sur le laveur haute pression simplement parce qu'il est arrêté. Il pourrait redémarrer à tout moment !



⚠ CONSERVEZ CES INSTRUCTIONS ⚠

COMPOSANTS DES LAVEURS DE LA SERIE HEO

HEO SERIES FEATURES-080212



LISTE DES COMPOSANTS

1. Valve d'échappement
2. Pare-courant d'air
3. Echangeur de chaleur
4. Interrupteur pression
5. Taraudage pression du déchargeur
6. Valve Thermique
7. Pompe haute pression
8. Sortie haute pression
9. Accès chariot à fourche
10. Rangement buse
11. Clapet de régulation des détergents
12. Interrupteur de la pompe avec voyant lumineux
13. Interrupteur du brûleur avec voyant lumineux
14. Crépine de détergents
15. Enceinte électrique
16. Thermostat réglable
17. Boîte de dérivation électrique
18. Réservoir flotteur avec filtre
19. Admission d'eau
20. Brûleur avec le filtre à essence et le séparateur d'eau
21. Soupape de sûreté
22. Décalque-Buses
23. Décalque-Interrupteurs du boîtier électrique (Pompe/Brûleur)
24. Décalque-Opération
25. Décalque-Clapet détergent
26. Décalque-Avertissement: Risque de blessures/Poulies apparentes
27. Décalque- Avertissement/Attention
28. Porte d'accès à gonds
29. Décalque-Avertissement: Surfaces Chaudes
30. Panneau d'accès
31. Tuyau haute pression
32. Pistolet de déclenchement
33. Cran de sûreté du pistolet
34. Lance isolée
35. Lance double à pression réglable
36. Buses haute pression
37. Pompe de vidange d'huile


INSTALLATION

EMPLACEMENT ET POSITIONNEMENT DE L'APPAREIL:

 **DANGER RISQUES D'INCENDIE OU D'EXPLOSION ! NE PAS PLACER L'APPAREIL DANS UN ENDROIT OÙ DES VAPEURS INFLAMMABLES RISQUENT D'ÊTRE PRÉSENTES. UNE ÉTINCELLE PEUT PROVOQUER UNE EXPLOSION OU UN INCENDIE !**

 **RISQUES D'ÉCLATEMENT DE L'APPAREIL ! NE PAS SITUER L'APPAREIL DANS UN ENDROIT OÙ IL RISQUE DE GELER.**

1. Cet appareil doit être installé en intérieur par un technicien qualifié, dans un lieu sec protégé du gel, et abrité des vents violents et de la pluie. Si une quelconque partie de l'appareil vient à geler, une pression excessive peut être engendrée à l'intérieur de l'appareil, provoquant son éclatement et risquant de blesser gravement l'opérateur et le personnel avoisinant. Prendre les mesures habituelles pour protéger d'une humidité excessive les commandes électriques de l'unité d'alimentation.
2. L'appareil doit être placé à bonne distance de tout matériau inflammable ou combustible. Ces types de matériaux doivent être au moins à 6 mètres des appareils fonctionnant au gaz.

 **ATTENTION RISQUES D'ASPHYXIE ! N'UTILISER CE PRODUIT QUE DANS UN LOCAL BIEN VENTILÉ ! LES GAZ D'ÉCHAPPEMENT CONTIENNENT DE L'OXYDE DE CARBONE, UN GAS INODORE, INVISIBLE ET TOXIQUE. L'INHALATION DE CE GAZ PEUT PROVOQUER DES MALADIES ET DES LÉSIONS GRAVES, VOIRE MORTELLES.**

3. éviter les locaux exigus et les ventilateurs d'évacuation. La combustion devient difficile, favorisant la création d'oxyde de carbone dans ces locaux. Ménager un espace suffisant pour le dépannage. Certains codes exigent un dégagement suffisant vis à vis des murs et du sol. Un espace de 60 cm entre l'appareil et les murs devrait suffire.
4. L'appareil doit absolument être placé sur une surface de niveau pour garantir une lubrification adéquate de la pompe à eau durant la marche. NE JAMAIS pulvériser de l'eau directement sur l'appareil.
5. NE PAS placer l'appareil à un endroit :
 - a. où des vapeurs inflammables risquent d'être présentes
 - b. où la ventilation est insuffisante
 - c. où des fuites d'huiles ou de carburant sont évidentes

ALIMENTATION ÉLECTRIQUE:

 **ATTENTION RISQUES D'ÉLECTROCUTION CET APPAREIL DOIT ÊTRE BRANCHÉ À UNE PRISE CORRECTEMENT MISE À LA TERRE.**

1. L'installation de l'appareil doit être effectuée par un technicien qualifié et l'installation électrique doit satisfaire aux codes locaux, provinciaux et nationaux en vigueur, y compris (États-Unis) le code national électrique (NEC), NFPA N° 70.
2. à la livraison de l'appareil, ses fils de raccordements se trouvent dans une boîte de raccordement à l'intérieur du caisson . C'est là que doit se raccorder l'alimentation électrique de l'utilisateur.
3. S'assurer que l'alimentation électrique correspond bien aux spécifications indiquées sur la plaque signalétique du laveur.
4. S'assurer que toutes les connexions sont bien serrées et que tous les couvercles sont remis en place.

INSTALLATION

VENTILATION:

1. L'installation de cet appareil en intérieur ou dans un local clos doit être effectuée par un technicien qualifié et la ventilation du local doit se conformer à tous les codes locaux, provinciaux et nationaux. (Parmi les normes à respecter, le « National Fuel Gas Code » code national des combustibles gazeux ANSI Z223.1/NFPA N° 54. Au Canada; Se référer au code d'installation de gaz CSA B149.1). Le conduit d'évacuation du brûleur doit sortir à l'atmosphère et un déflecteur de tirage doit également être installé.

REMARQUE : ne pas dépasser 0,25 thermie par cm² de conduit d'évacuation.

2. Un déflecteur de tirage doit également être installé au-dessus de la sortie d'évacuation de l'appareil. Ce déflecteur élimine l'effet de cheminée et favorise le tirage à travers le brûleur, améliorant ainsi la combustion. Il contribue également à éviter que l'échangeur de chaleur ne soit gelé en cas de vent glacial. (Voir le schéma n° 1).
3. Installer le conformer à tous les codes locaux, provinciaux et nationaux. (Parmi les normes à respecter, le « National Fuel Gas Code » code national des combustibles gazeux ANSI Z223.1/NFPA N° 54. Au Canada; Se référer au code d'installation de gaz CSA B149.1). Si la longueur de ce conduit dépasse 3 mètres, ou si plus de deux coudes sont présents, le tirage naturel ne se fera plus et le brûleur ne s'allumera pas. NE PAS installer un registre de tirage réglable.
4. Si l'appareil est installé dans un local clos, assurer une quantité d'air suffisante pour la combustion en ménageant des ouvertures près du plafond pour l'aération du local et près du sol pour la combustion. Ces ouvertures doivent être dimensionnées de manière à offrir au moins 26 cm² par thermie/heure de puissance calorifique.

Exemple : un laveur haute pression ayant une puissance de chauffe de 100 thermies/heure exige au moins 2600 cm² d'ouverture, soit une ouverture d'environ 30 cm par 90 cm. (Voir le schéma n° 2).

5. Si le bâtiment dans lequel l'appareil est installé semble être spécialement hermétique, il est recommandé d'utiliser des prises d'air communiquant avec l'extérieur du bâtiment pour fournir directement l'air de combustion nécessaire. L'orifice à l'extrémité de ces prises d'air doit être orienté vers le bas afin de les protéger de la pluie et de la neige. Couvrir l'ouverture d'un grillage métallique dont la maille est au moins de 6 mm.

ALIMENTATION EN EAU:

1. Comme boyau d'alimentation en eau, choisir un tuyau d'arrosage de bonne qualité ayant un diamètre intérieur d'au moins $\frac{3}{4}$ pouce (19 mm) et ne dépassant pas 15 mètres de longueur (voir le schéma n° 3).
2. Raccorder un extrémité de ce boyau à l'entrée d'eau de l'appareil. Raccorder l'autre extrémité à l'eau de la ville.

REMARQUE : si l'eau utilisée contient une forte quantité de sels minéraux, il est recommandé d'installer un adoucisseur d'eau pour éviter un excès de dépôts calcaires à l'intérieur du serpentin de l'échangeur de chaleur.

3. S'assurer que tous les raccords sont bien serrés.
 - a. Boyau d'alimentation à l'entrée d'eau de l'appareil.
 - b. Boyau d'alimentation à l'eau de la ville.
4. L'alimentation en eau doit répondre aux exigences suivantes :
 - a. La pression d'eau doit se situer entre 140 kPa (minimum) et 455 kPa (maximum).
 - b. Le débit d'arrivée doit être environ supérieur de 4 litres/mn au débit de sortie indiqué sur la plaque signalétique du laveur haute pression. (Il

SCHÉMA N° 1
DÉFLECTEUR DE TIRAGE

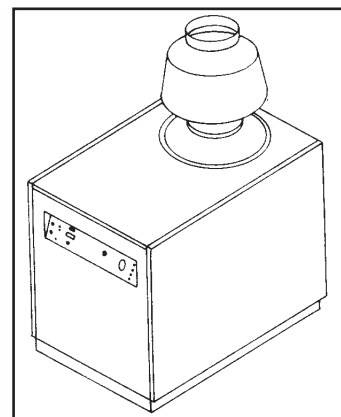


SCHÉMA N° 2
VENTILATION DE LOCAUX FERMÉS

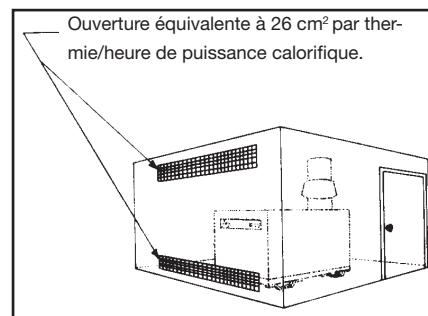
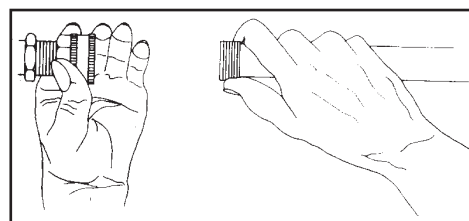
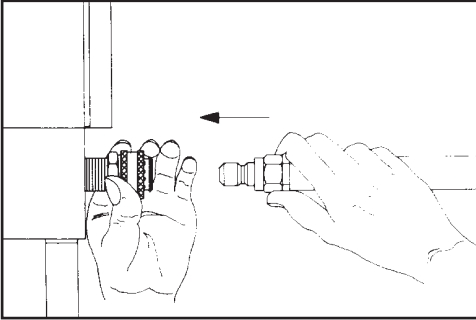


SCHÉMA N° 3
RACCORDEMENT DU BOYAU



INSTALLATION

SCHÉMA N° 4
RACCORDEMENT DU BOYAU HAUTE
PRESSION



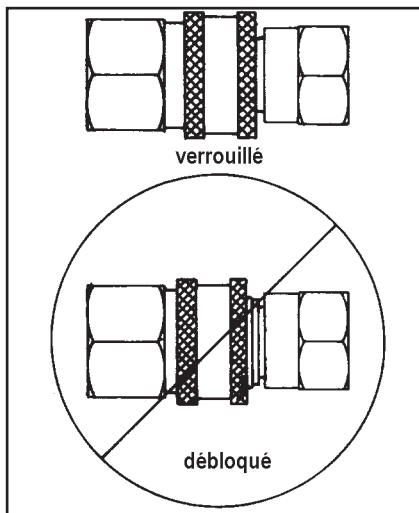
est possible d'évaluer le débit d'entrée en chronométrant la durée de remplissage d'un récipient de contenance connue, par exemple 25 litres).

- c. La température de l'eau d'alimentation ne doit pas dépasser 52 °C. La pompe risque d'être endommagée si la température de l'eau dépasse cette valeur.

REMARQUE : Si l'alimentation en eau est inadéquate ou si le tuyau est vrillé, l'appareil ne marchera pas correctement et le brûleur ne s'allumera pas.

5. Ne jamais laisser l'appareil fonctionner si le boyau d'arrivée d'eau n'est pas raccordé ou si l'alimentation en eau n'est pas ouverte à fond.
6. Assurez-vous que les crépines (A) sont propres et non obstruées. Le nettoyage régulier de la crépine aidera à limiter les problèmes de pompe. Lorsqu'une crépine devient obstruée, elle réduit le débit d'eau vers la pompe. Cela risque de créer une cavitation qui entraînera la défaillance prématurée des garnitures de la pompe. Enlevez les crépines (A), puis nettoyez-les ou remplacez-les.

SCHÉMA N° 5
RACCORD RAPIDE



RACCORDEMENT HAUTE PRESSION:

Raccorder le boyau haute pression en le branchant d'un côté au laveur haute pression et de l'autre côté au pistolet. Vérifier que les raccords rapides sont bien verrouillés (voir les schémas n° 4 et n° 5).

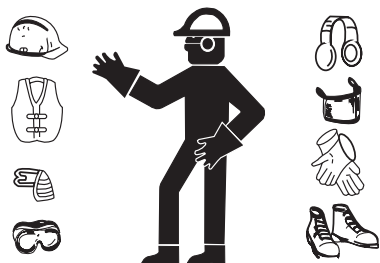
INSTALLATION

LISTE DE VERIFICATIONS AVANT LA MISE EN MARCHÉ:

Avant la mise en marche de l'appareil, répondre aux questions de la liste ci-dessous :

QUESTIONS		OUI	NON
CODES :			
1.	L'alimentation électrique est-elle conforme aux codes en vigueur ?	___	___
2.	Le système de ventilation est-il conforme aux codes en vigueur ?	___	___
EMPLACEMENT :			
1.	L'appareil est-il installé en intérieur sur un sol incombustible dans un endroit sec protégé de la pluie, de l'humidité et des vents excessifs ?	___	___
2.	L'appareil est-il situé à l'écart de matériaux inflammables ou combustibles ?	___	___
3.	L'appareil est-il installé dans un local ayant un volume suffisant pour assurer une aération correcte ?	___	___
CIRCUIT ÉLECTRIQUE :			
1.	L'appareil est-il correctement mis à la terre ?	___	___
2.	Tous les composants électriques satisfont-ils aux exigences stipulées sur la plaque signalétique de l'appareil (schéma n° 32) et la tension d'alimentation est-elle correcte ?	___	___
VENTILATION :			
1.	Utilise-t-on un conduit d'évacuation et un capot de tirage de la taille correcte ?	___	___
2.	La ventilation est-elle suffisante pour assurer la combustion ?	___	___
3.	L'appareil est-il suffisamment ventilé pour assurer un écoulement d'air adéquat ?	___	___
4.	Le conduit d'évacuation débouche-t-il à l'atmosphère ?	___	___
INSTRUCTIONS GENERALES :			
1.	Tous les opérateurs de cet appareils ont-ils lu le manuel d'installation et d'utilisation et bien compris les avertissement touchant à la sécurité ?	___	___
2.	L'appareil a-t-il été installé par un personnel qualifié conformément aux instructions du manuel d'installation et d'utilisation ?	___	___
3.	L'alimentation en eau est-elle suffisamment abondante ?	___	___

SI LA REPONSE A UNE QUELCONQUE DE CES QUESTIONS EST NON, REMEDIER A LA SITUATION AVANT DE METTRE L'APPAREIL EN MARCHÉ.

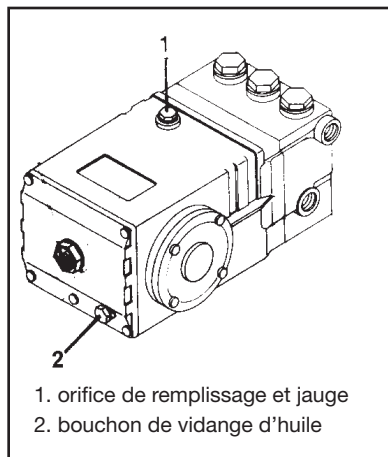


PREPARATION

TENUE DE TRAVAIL:

Pour des raisons de sécurité, une tenue appropriée est essentielle. Il est recommandé d'utiliser tous les moyens disponibles pour se protéger les yeux, les oreilles et la peau. Des équipements protecteurs additionnels (tels un respirateur) peuvent être requis lorsque des détergents de nettoyage sont utilisés avec ce laveur haute pression.

SCHÉMA N° 6
JAUGE ARRIÈRE DE LA POMPE



AVANT LA MISE EN MARCHÉ:

1. Vérifier que le voyant de mise sous tension.
2. Le niveau d'huile dans la pompe doit être vérifié avant chaque utilisation. Vérifier le niveau d'huile en retirant la jauge d'huile à la partie supérieure du carter. Le niveau correct correspond à l'encoche située sur la jauge (voir l'illustration n° 6). Si le niveau paraît bas, utiliser de l'huile pour pompe SAE10W-30. Remettre le(s) panneau(x) en place.
3. Examinez la crépine d'arrivée d'eau. Nettoyez ou remplacez-la si nécessaire. Voir « Alimentation d'eau ».

RÉSERVOIR DU BRÛLEUR :

⚠ DANGER RISQUE D'INCENDIE ! -NE PAS FUMER LORS DU REMPLISSAGE DU RÉSERVOIR ! - NE PAS REMPLIR LE RÉSERVOIR DE CARBURANT LORSQUE L'APPAREIL EST EN MARCHÉ OU ENCORE CHAUD. LAISSEZ-LE REFROIDIR PENDANT DEUX MINUTES AVANT DE FAIRE LE PLEIN. -NE PAS TROP REMPLIR LE RÉSERVOIR.

1. Lisez la section « Risques d'explosion ou d'incendie » à la page 34 avant de remplir le réservoir.

⚠ MISE EN GARDE RISQUES D'EXPLOSION OU D'INCENDIE ÉCARTEZ SYSTÉMATIQUEMENT LE BIDON DE CARBURANT DU NETTOYEUR HAUTE PRESSION LORSQUE CE DERNIER EST EN MARCHÉ OU ENCORE CHAUD.

2. Lisez et respectez les consignes des décalques de sécurité affichées sur l'appareil.
3. Remplissez le réservoir du brûleur avec du mazout N° 1 ou N°2, du diesel ou du kérosène propre et de bonne qualité. Ne pas utiliser d'essence!

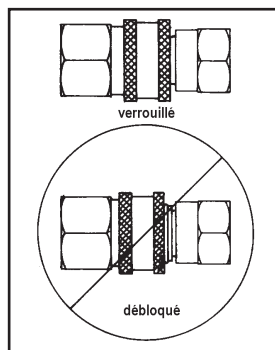
DÉCHARGEUR:

Le déchargeur étant préréglé en usine, tout ajustement ne doit être effectué que par un réparateur qualifié.

BUSES À MONTAGE RAPIDE :

Divers types de buses peuvent se monter rapidement à l'extrémité de la double lance à pression réglable afin de modifier le profil de pulvérisation ou d'ajouter un détergent. Lors de l'utilisation des raccords rapides (RR), s'assurer que le raccordement est solidement enclenché (voir le schéma 7). En cas contraire, l'eau fortement pressurisée risque de projeter violemment la buse de la lance, causant des blessures graves et des dégâts sérieux. Pour déterminer le profil de pulvérisation (voir le schéma n° 8), se reporter au numéro gravé sur la buse. Les deux premiers chiffres indiquent l'angle de dispersion en degrés, par exemple 00 = 0°, 15 = 15°, 25 = 25°, 40 = 40°.

SCHÉMA N° 7
RACCORD RAPIDE

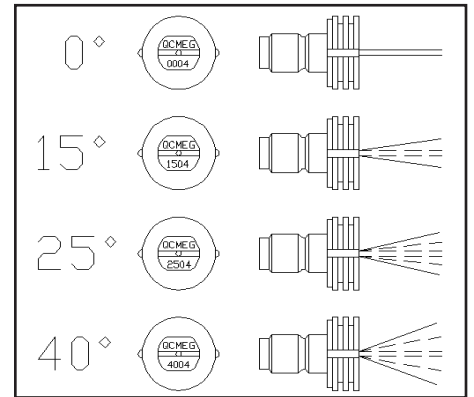


1. La buse 0° (rouge): une buse décapante. Elle fournit un jet d'eau très concentré. Faire très attention lorsque ce jet très étroit est utilisé. Il est déconseillé sur les surfaces peintes ou en bois ou sur les objets attachés par un dos adhésif. Utilisations : destruction des herbes dans les fissures des trottoirs, enlèvement des taches récalcitrantes sur le béton, la maçonnerie, l'aluminium et l'acier, des boues desséchées adhérant au matériel et nettoyage du dessous des tondeuses à gazon.

PREPARATION

2. La buse 15° (JAUNE): une buse de raclage. La pulvérisation doit être inclinée à 45° par rapport à la surface. Elle agit alors comme un grattoir pour l'enlèvement de la peinture, de la graisse et des saletés. Utilisations : apprêt des surfaces (élimination des taches de moisissure et des écailles de peintures), nettoyage des chéneaux et des tuyaux de descente.
3. La buse 25° (VERTE):
 - a. une buse de curage. Son profil de pulvérisation est idéal pour éliminer la poussière, la boue et autre saletés. Utilisations : nettoyage des feuilles mortes sur les trottoirs et les allées, nettoyage du sol des étables, du fond des piscines, dégraissage des moteurs.
 - b. Sur les appareils avec option vapeur, cette buse est utilisée pour fonctionnement vapeur humide à 250°F (121°C). Cette buse est de taille pour fonctionnement avec le déchargeur et la soupape de vapeur (quand applicable) pour fournir une vapeur haute pression humide. Le remplacement de cette buse avec une buse de la mauvaise taille pourrait être la cause de problèmes de fonctionnement de l'appareil.
4. La buse 40° (BLANCHE): une buse de lavage. L'angle très large, qui disperse l'eau sur une très grande surface, est recommandé pour les lavages modérés. Utilisations : lavage des revêtements de maisons en aluminium, des fenêtres, des automobiles, des trottoirs et des patios.

SCHÉMA N° 8
BUSES À MONTAGE RAPIDE

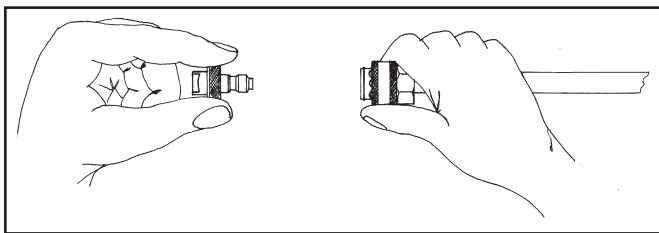


RACCORDEMENT DES BUSES:

ATTENTION RISQUES D'INJECTION PROVOQUANT DES BLESSURES GRAVES LE PISTOLET DOIT TOUJOURS ÊTRE VERROUILLÉ EN POSITION D'ARRÊT LORSQU'IL EST INUTILISÉ. NE JAMAIS REGARDER DIRECTEMENT DANS L'AXE DE LA BUSE SAUF SI ELLE DÉTACHÉE DU PISTOLET OU DE LA DOUBLE LANCE.

1. S'assurer que le pistolet est bien verrouillé (position « OFF » - voir le schéma n° 9).
2. Détacher alors le raccord rapide de la double lance à pression réglable. Comme le montre le schéma n° 10, rétracter la bague de blocage du raccord rapide pour retirer la buse.

SCHÉMA N° 10
RACCORDEMENT DES BUSES



DOUBLE LANCE À PRESSION REGLABLE:

1. Cet appareil comporte une double lance à pression réglable qui permet à l'utilisateur de choisir une dispersion en éventail à haute ou à basse pression. Il suffit de tourner la poignée ajustable de la double lance pour obtenir la pression désirée.
 - a. La haute pression s'obtient en tournant la poignée de la double lance dans le sens antihoraire, comme le montre le schéma n° 11.
 - b. La basse pression s'obtient en tournant la poignée de la double lance dans le sens horaire, comme le montre le schéma n° 11. Si l'on emploie l'injecteur de détergent, cet injecteur va introduire du détergent dans le système dès que la pression est suffisamment basse. Le mélange eau/détergent sort à la fois par la buse de pulvérisation et par la buse de détergent.

SCHÉMA N° 9
VERROUILLAGE DU PISTOLET

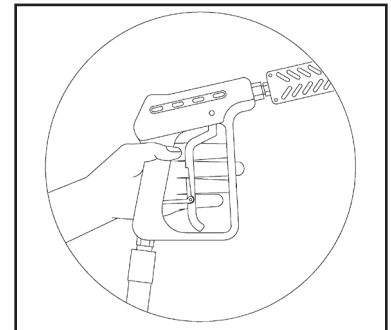
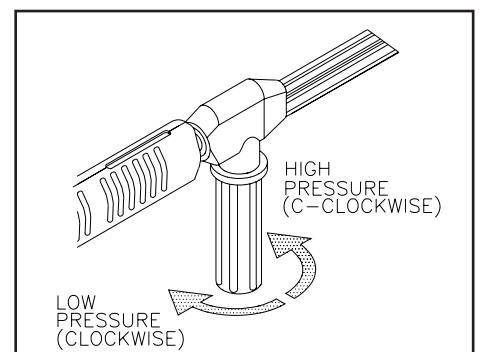


SCHÉMA N° 11
LANCE DOUBLE



PREPARATION

INSPECTION DE SECURITE AVANT LA MISE EN MARCHÉ:

1. Avant de mettre l'appareil en marche, effectuer les opérations suivantes.
 - a. Vérifier le serrage de tous les raccords des tuyaux.
 - b. Vérifier qu'il n'y a pas de fuites d'eau ou d'huile.
 - c. S'assurer que les boyaux haute pression ne sont pas vrillés ou coupés et qu'ils ne fuient pas. Si l'on détecte une fuite ou une entaille, **NE PAS UTILISER LE BOYAU !** Le remplacer avant de démarrer l'appareil. Sereporter aux avertissement « Risques d'injection ». Veiller à remplacer toutes les pièces endommagées et à corriger tout problème mécanique avant de démarrer l'appareil. Si un dépannage est nécessaire, appeler le service clients.



LES PAGES SUIVANTES CONTIENNENT LES INSTRUCTIONS D'UTILISATION ET D'ENTRETIEN.

NE PAS UTILISER CE LAVEUR HAUTE PRESSION TANT QUE L'ON A PAS LU ET BIEN COMPRIS TOUTES LES PRÉCAUTIONS ET CONSIGNES DE SÉCURITÉ CONTENUES DANS CE MANUEL. SUIVRE LES INSTRUCTIONS D'ENTRETIEN SPÉCIFIÉES DANS CE MANUEL.


UNE UTILISATION INCORRECTE DE CET APPAREIL RISQUE DE PROVOQUER DE GRAVES BLESSURES!!

NE MODIFIER CET APPAREIL EN AUCUNE FAÇON!

INSTRUCTIONS D'UTILISATION

Une fois que l'appareil a été installé par un technicien qualifié et que l'on a effectué toutes les vérifications de LA LISTE DE VÉRIFICATIONS AVANT LA MISE EN MARCHÉ à la page 45, l'appareil est prêt à l'emploi. Les diverses opérations ci-dessous contribueront à assurer une exploitation sans danger de l'appareil.


RINÇAGE DU SYSTÈME:

 **MISE EN GARDE RISQUES DE DÉGÂTS À L'APPAREIL! S'ASSURER QUE LE PISTOLET ET LA DOUBLE LANCE NE SONT PAS RACCORDÉS À L'APPAREIL DURANT LE RINÇAGE DU SYSTÈME. LE RINÇAGE PERMET D'ÉLIMINER DU SYSTÈME TOUS LES DÉPÔTS MINÉRAUX QUI RISQUENT D'OBSTRUER OU D'ENDOMMAGER LE PISTOLET ET LA BUSE ET D'ENTRAÎNER DES RÉPARATIONS CÔUTEUSES.**

1. Cet appareil comportant un serpentín d'acier, l'eau stagnante dans le serpentín après utilisation va à long terme devenir marron ou noire. Cette eau doit être évacuée du système avant sa remise en marche. Cette opération doit se faire alors que le pistolet et la double lance à pression réglable sont démontés.
 - a. Vérifier que l'eau arrive bien à l'appareil.
 - b. Mettre l'interrupteur de la pompe en position "ON" (marche) pour démarrer la pompe.
 - c. Faire marcher l'appareil pendant 3 à 5 minutes.
 - d. Arrêter l'appareil.
 - e. Lorsque le rinçage du système est terminé, brancher le pistolet et la double lance à pression réglable au boyau haute pression.

UTILISATION AVEC EAU FROIDE:

1. Se reporter aux « Avertissements concernant la sécurité », avant de démarrer l'appareil.
2. Repérer les autocollants de sécurité sur l'appareil et respecter leurs consignes.
3. S'assurer que l'interrupteur du brûleur est en position « OFF » (arrêt).

 **DANGER RISQUES D'INJECTION SUSCEPTIBLE DE PROVOQUER DES GRAVES BLESSURES ! SE TENIR À DISTANCE DE LA BUSE ! NE JAMAIS PLACER LA MAIN OU LES DOIGTS DEVANT LA BUSE ! NE PAS POINTER LE PISTOLET EN DIRECTION DE PERSONNES OU D'ANIMAUX!**

4. En pointant le pistolet dans une direction n'offrant aucun danger, déverrouiller le pistolet et appuyer sur sa gâchette. L'opérateur doit assurer sa position en prévision d'un recul possible du pistolet lorsque la pompe démarre.
5. Mettre l'interrupteur de la pompe en position "ON" (marche) pour démarrer la pompe.
6. Dès que l'appareil est en marche, faire les vérifications suivantes avec le pistolet ouvert:
 - a. S'assurer que le système ne présente aucune fuite d'eau ou d'huile.
 - b. S'assurer que les boyaux haute pression ne fuient pas. En cas de fuites, NE PAS TOUCHER LE BOYAU À L'ENDROIT OÙ IL FUIT !! ARRÊTER IMMÉDIATEMENT L'APPAREIL ! Remplacer le boyau avant de redémarrer l'appareil. Se reporter aux avertissements « Risque d'injection » à la page 37. Veiller à remplacer toutes les pièces endommagées et à corriger tous les problèmes mécaniques avant de remettre l'appareil en marche.
7. Arrivé à ce point, l'appareil fonctionne comme laveur haute pression à eau froide. Presser la gâchette du pistolet à plusieurs reprises et essayer d'ajuster la pression de l'eau en tournant la poignée de la lance double. NE JAMAIS

INSTRUCTIONS D'UTILISATION

placer la main ou les doigts devant la buse, ni regarder directement dans la buse ! L'eau fortement pressurisée risque de provoquer de graves blessures!

8. Ne jamais laisser l'appareil fonctionner en mode de dérivation (avec le déclenchement fermé) pendant plus de trois minutes sans déclencher le pistolet. Le non-respect de cette règle simple peut causer la défaillance prématurée des joints de pompe, ayant comme résultat une réparation coûteuse de la pompe.

⚠ MISE EN GARDE RISQUES DE DÉGÂTS NE PAS POINTER LE PISTOLET AU MÊME ENDROIT PENDANT UNE PÉRIODE PROLONGÉE. CELA RISQUE DE CAUSER DES DOMMAGES À L'ENDROIT EXPOSÉ.

9. Le laveur peut fournir une pulvérisation à haute pression sous divers profils en utilisant de l'eau froide. Si l'on souhaite utiliser de l'eau chaude ou bien nettoyer avec l'addition de détergents, se reporter à la page 51 qui indique la marche à suivre.

UTILISATION AVEC EAU CHAUDE:

⚠ ATTENTION RISQUES DE BRÛLURES ! L'EAU RISQUE DE DEVENIR BRÛLANTE LORSQU'ON UTILISE L'APPAREIL AVEC DE L'EAU CHAUFFÉE. ÊTRE TRÈS PRUDENT DURANT LES RÉGLAGES DE PRESSION ET DURANT LA MANIPULATION DE L'ENSEMBLE PISTOLET/LANCE DOUBLE.

1. Suivre la procédure indiquée à la rubrique « Utilisation avec eau froide»

⚠ IMPORTANT LORSQUE DE L'EAU FROIDE CIRCULE DANS L'ÉCHANGEUR DE CHALEUR ET QUE LE BRÛLEUR EST ALLUMÉ, DE LA CONDENSATION VA SE FORMER SUR LE SERPENTIN ET S'ÉGOUTTER. ON AURA L'IMPRESSION QUE LE SERPENTIN FUIT, SURTOUT SI LE TEMPS EST FROID ET HUMIDE.

2. Déplacer l'interrupteur du brûleur en position « ON » (marche). Initialement, l'eau commencera à devenir chaude au bout de 60 secondes environ et elle atteindra sa température maximale en 3 minutes environ, sous réserve que l'on continue à appuyer sur la gâchette, vu que le brûleur s'éteint dès que l'on relâche la gâchette.
3. Régler le thermostat à la valeur souhaitée. (Voir le schéma n° 16).

Arrivé là, l'appareil fonctionne comme laveur haute pression à eau chaude. Faire preuve d'une extrême prudence durant les réglages de pression et durant la manipulation de l'ensemble pistolet/lance double afin d'éviter des brûlures.

4. Réexaminez le système pour signes de fuites. En cas de fuite de carburant, **ARRÊTEZ L'APPAREIL IMMÉDIATEMENT !** Reportez-vous à la section « Risques d'Explosion ou d'Incendie ».

NETTOYAGE AVEC ADDITION DE DÉTERGENTS:

Ce type de nettoyage est limité à des détergents doux. La solution devant circuler à travers le serpentín de l'échangeur de chaleur, ne pas utiliser d'agents corrosifs car ils provoqueront des dommages substantiels sans mentionner les risques considérables en matière de sécurité.

1. Veiller à porter tous les équipements protecteurs indiqués à la page 50.
2. Préparer la solution de détergent conformément à l'étiquette du produit. (Ne jamais pomper de liquides acides, alcalins, abrasifs, ou des solvants à travers l'appareil).
3. Submerger complètement le filtre à l'extrémité du boyau de vinyle transparent pour détergent dans la solution de détergent.
4. Régler le dosage du détergent en tournant la molette à la valeur désirée.

INSTRUCTIONS D'UTILISATION

5. Pour pulvériser la solution, déverrouiller le pistolet et appuyer sur la gâchette. Au bout de quelques instants, un mélange eau/détergent est éjecté de la buse. Commencer par pulvériser la solution au bas de la pièce à nettoyer, puis monter progressivement en faisant des passes qui se recouvrent. Le fait de commencer par le bas permet d'éviter la formation de traînées. Laisser le liquide pénétrer brièvement dans le matériau. Éviter les pulvérisations sur des surfaces chaudes ou directement exposées au soleil, car le détergent risque alors de sécher sur place et d'endommager la surface pulvérisée. Le nettoyage doit se faire par petites sections.
6. Pour rincer, tourner la molette de dosage du détergent en position « OFF » (arrêt). Il faut 30 secondes environ pour purger complètement la tuyauterie de tout détergent. Pour un meilleur rinçage, commencer par le haut en descendant progressivement.

REMARQUE: Si l'appareil est équipé de boîtier(s) distant(s), lire pour information sur le détergent solénoïde.

7. Siphonner 4 litres d'eau environ à travers le circuit de détergent après chaque utilisation. Ceci réduit le risque de corrosion due aux résidus de détergent, susceptible de provoquer des problèmes mécaniques lors de l'utilisation suivante.

REMARQUE: La molette de dosage du détergent ou du détergent solénoïde doit être tournée en position « OFF » (arrêt) lorsque l'appareil est inutilisé ou lorsque le filtre n'est pas complètement submergé dans la solution. En cas contraire, la pompe va se désamorcer et la buse va cesser la pulvérisation. A la longue, cette situation risque d'endommager la pompe.

ARRÊT DE L'APPAREIL:

1. Si l'interrupteur du brûleur est toujours en position de marche, le mettre sur arrêt.
2. Presser sur la gâchette et éjecter de l'eau pendant 3 minutes afin de refroidir l'échangeur de chaleur et le boyau haute pression. (Une période de refroidissement trop courte du boyau haute pression va provoquer une usure excessive du boyau et à la longue son éclatement).
3. Mettre l'interrupteur de la pompe en position "OFF" pour arrêter la pompe. Si l'appareil a l'option arrêt différé, attendre que le minuteur s'arrête et mettre l'appareil à l'arrêt. Voir ci-dessous pour plus d'information sur l'arrêt différé.
4. Presser brièvement la gâchette afin d'éliminer la pression résiduelle dans le système.

OPTIONS:

BOÎTIERS DISTANT

L'option boîtier distant permet à l'appareil d'être contrôlé par jusqu'à quatre postes de travail. Les stations distantes sont câblées en parallèle pour permettre à l'opérateur d'avoir un contrôle complet de toute station à tout moment. Les détergents sont contrôlés par un solénoïde chimique ajouté à l'appareil principal et les interrupteurs de contrôle sur les boîtiers distants.

La longueur maximale pour le câblage distant est la suivante:

fil calibre 14- 200 pieds (60 M)

fil calibre 16 - 100 pieds (30 M)

ARRÊT DIFFÉRE

L'option arrêt différé fournit un arrêt réglable automatique pour l'appareil principal. L'usine règle la durée de l'intervalle de l'arrêt différé à deux et demi minutes. Cette option outre-passe l'opération de l'interrupteur on/off (marche/arrêt) de la pompe pour le contrôle de l'arrêt du moteur de la pompe.

INSTRUCTIONS D'UTILISATION

MARCHE/ARRET AUTOMATIQUE

L'option marche/arrêt automatique fournit un arrêt réglable automatique et un interrupteur de pression qui redémarre l'appareil automatiquement quand le pistolet est déclenché. L'usine règle la durée de l'intervalle de l'arrêt différé à deux et demi minutes. Cette option n'est pas disponible avec l'option boîtier distant ou l'option déchargeur activé par écoulement.

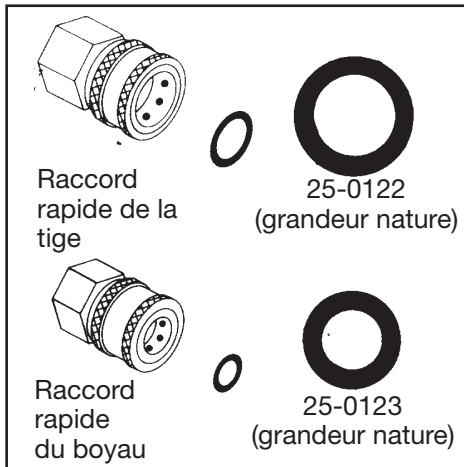
VAPEUR - 250°F (121°C)

L'option vapeur à 121°C fournit une production de vapeur humide de l'appareil. Une vapeur à 121°C est obtenue en réglant la soupape de vapeur sur le tableau de contrôle principal de l'appareil et en utilisant la buse à vapeur fournie avec l'appareil. La bonne taille de la buse à vapeur est essentielle au bon fonctionnement de cette option.

ENTRETIEN

ENTRETIEN PREVENTIF :

SCHÉMA N° 12
RACCORDS RAPIDES



FUITES:

Remédier sans délai à toute fuite dans le système de pompage en démontant les pièces suspectes, en appliquant un mastic d'étanchéité sur les filets et en réinstallant les pièces.

REMARQUE :

Si l'on utilise un ruban de Téflon, veiller à ce qu'aucun morceau de ruban ne pénètre à l'intérieur du circuit car il risque de colmater la buse de pulvérisation.

RACCORDS RAPIDES:

Ces raccords rapides contiennent un joint torique interne qui risque de se détériorer. Pour les remplacer, il suffit d'installer un nouveau joint, ce qui va éliminer les fuites. (Voir le schéma n° 12). Des joints toriques peuvent être achetés auprès de votre concessionnaire).

BUSE:

Le passage de l'eau à travers la buse de pulvérisation va à la longue éroder l'orifice qui va s'élargir et provoquer une baisse de pression. Remplacer les buses dès que la pression tombe à moins de 85 % de la pression maximale. La fréquence de remplacement va dépendre de différents facteurs, tels la teneur de l'eau en sels minéraux et le nombre d'heure d'utilisation de la buse.

POMPE:

1. Initialement, changer l'huile de la pompe au bout de 50 heures de fonctionnement. Après cette vidange initiale, il suffit de remplacer l'huile tous les 3 mois ou toutes les 250 heures. Si l'huile paraît sale ou laiteuse, des vidanges plus fréquentes peuvent être nécessaires.
2. Repérer le boyau de vidange de l'huile de la pompe.
3. Placer un récipient vide sous l'appareil pour récupérer l'huile usée puis retirer le bouchon de l'orifice de vidange (voir le schéma n° 13).
4. Attendre que l'huile soit complètement évacuée de la pompe et réinstaller le bouchon de vidange. Se débarrasser de l'huile usée conformément aux réglementations locales, provinciales ou nationales.
5. Remplir le carter de la pompe d'huile pour pompe SAE10W-30 jusqu'à l'encoche de la jauge. Ne pas trop remplir.

TENSION DE LA COURROIE:

Arrêtez et débranchez l'appareil. Enlevez le panneau latéral ou soulevez le couvercle examinez la courroie trapézoïdale pour signes d'usure et de détente. Le cas échéant, remplacez ou serrez la courroie de la manière suivante, voir le schéma n° 14:

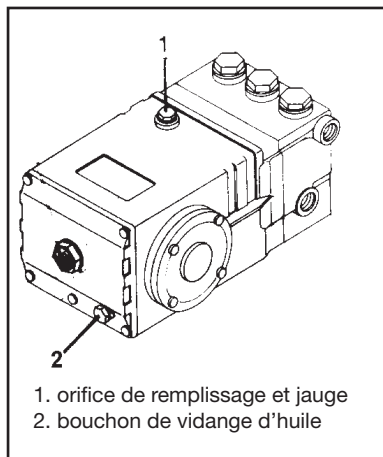
Remplacement:

1. Desserrez les quatre boulons de fixation (A).
2. Desserrez les deux écrous d'alignement d'environ un pouce par aux boulons d'alignement (B1 & B2).
3. Poussez la pompe vers le moteur pour détendre la courroie.
4. Remplacez la courroie.

Serrage: (Si la courroie n'a pas été remplacée, il sera nécessaire de desserrer les boulons B1 et B2 avant de procéder.)

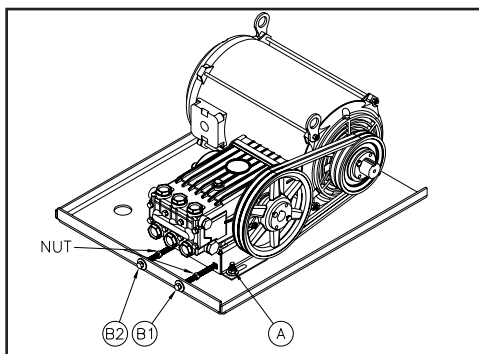
1. Serrez le boulon d'alignement B2. La pompe se déplacera vers la gauche et tendra la courroie. Ensuite, serrez l'écrou du boulon B2.
2. Serrez le boulon d'alignement B1 jusqu'à ce que les poulies s'alignent. (Servez-vous d'une règle pour vérifier l'alignement.)

SCHÉMA N° 13
VIDANGE DE LA POMPE À HUILE



1. orifice de remplissage et jauge
2. bouchon de vidange d'huile

SCHÉMA N° 14
RÉGLAGE DE LA TENSION DE
LA COURROIE



ENTRETIEN

3. Appuyez sur la courroie trapézoïdale pour vérifier sa tension. Il devrait y avoir entre 1/4 et 1/2 pouce de flexion lorsque la tension est correcte.
4. Lorsque les poulies sont alignées et que la tension est correcte, resserrez l'écrou B1 et les quatre boulons de fixation (A).
5. Si la tension n'est pas correcte, répétez les étapes 6 et 7 jusqu'à obtenir l'alignement et la tension nécessaires. Serrez les quatre boulons de fixation (A) en fin d'opération.
6. Desserrez l'écrou B2, serrez le boulon B2, serrez l'écrou B2.
7. Desserrez l'écrou B1, serrez le boulon B1, serrez l'écrou B1.

DÉTARTRAGE DU SERPENTIN:

Une perte de pression peut signifier que le serpentin a besoin de détartrage. Effectuez cette opération régulièrement.

1. Mélangez la solution poudre/liquide selon les indications de l'emballage.
2. Enlevez l'embout de la lance. Enveloppez la lance dans un bas en Nylon pour récupérer les débris, puis placez la lance dans le réservoir d'eau.
3. Mettez l'interrupteur à la position 'Pump' (pompe). L'eau circulera à travers le système puis reviendra au réservoir. Laissez l'eau circuler pendant 2 à 4 heures.
4. Mettez l'interrupteur à la position 'Off' (arrêt). Vidangez et nettoyez le réservoir d'eau. Enlevez le bas en Nylon de la lance, puis nettoyez la lance.
5. Rincez le système en entier avec de l'eau propre et fraîche, puis remontez l'embout de la lance.
6. Disposez de la solution de détartrage selon la réglementation en vigueur.

VÉRIFICATION DE TENSION ET DE RÉSISTANCE :

Vérifiez la tension et la résistance d'alimentation de la machine à l'aide d'un voltmètre et d'un ampèremètre. Si vous ne possédez pas de tels instruments ou si vous ne savez pas vous en servir, confiez cette opération à un technicien agréé.

FILTRE À CARBURANT/ SÉPARATEUR D'EAU :

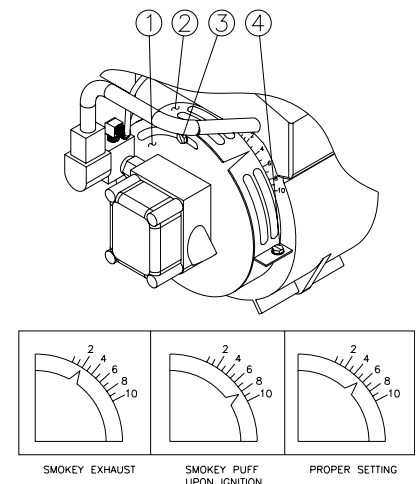
Examinez le bol du filtre à carburant/séparateur d'eau pour signes d'accumulation d'eau. S'il y a de l'eau dans le filtre, dévissez le bouchon de vidange pour l'évacuer, puis revissez-le. Remplacez 6 mois.

RÉGLAGE DE L'ARRIVÉE D'AIR DU BRÛLEUR :

Le registre a été réglé à l'usine pour assurer un bon fonctionnement entre le niveau de la mer et une altitude de 2.000 pieds dans les conditions standards (températures d'air et d'eau ambiantes de 60° F). Lors de températures plus froides ou d'altitudes plus élevées, il peut être nécessaire de régler l'arrivée d'air vers la chambre de combustion. Ce réglage permet d'optimiser l'efficacité du brûleur et d'éviter les consommations élevées et l'accumulation excessive de suie au niveau du serpentin de l'échangeur calorifique. Une analyse de fumée est conseillée lors de tout réglage de registre ou du carter d'arrivée d'air. Si un analyseur de fumé n'est pas disponible, procédez de la manière suivante :

1. L'appareil doit être en marche et le brûleur allumé.
2. Desserrez la vis de blocage (n° 3 à gauche n° 15) du registre.
3. Examinez l'échappement de l'échangeur calorifique pour signes de fumée. S'il n'y a pas de fumée, fermez progressivement le registre (n° 1 à gauche n° 15) en tournant le bouton à gauche jusqu'au repère inférieur. Continuez à tourner le bouton jusqu'à l'apparition de fumée.

SCHÉMA N° 15
RÉGLAGE DE L'ARRIVÉE D'AIR
DU BRÛLEUR



ENTRETIEN

4. Prenez note de ce point de réglage.
5. Rouvrez le registre (n° 1 à gauche n° 15) de deux incréments. Exemple : si le registre était au repère 2, tournez-le jusqu'au repère 4.
6. Appuyez doucement sur la gâchette du pistolet à plusieurs reprises pour que le brûleur s'allume et s'éteigne en succession. Attendez-vous à une petite bouffée de fumée au moment de l'allumage du brûleur.
7. Répétez les étapes 5 et 6 jusqu'à ce qu'une bouffée de fumée apparaisse. Prenez note du réglage du registre.
8. La différence entre les réglages notés aux étapes 4 et 7 correspond à la plage de combustion. Tournez le bouton à mi-chemin entre ces deux repères.

NOTA : Si vous n'arrivez pas à obtenir les résultats voulus au niveau des étapes 3 et 7, il sera peut-être nécessaire d'augmenter ou de diminuer l'arrivée d'air pour atteindre la plage de combustion appropriée. Desserrez le boulon (n° 4 à gauche) et ouvrez le carter d'arrivée d'air (n° 2 à gauche) par incréments de 1/4 po. Répétez les étapes 3 à 8 jusqu'à obtenir la plage de combustion appropriée.

VÉRIFICATION DES PRESSIONS D'EAU ET DE CARBURANT :

Ces contrôles devraient être confiés à un technicien agréé.

VÉRIFICATION DE LA PRESSION D'EAU :

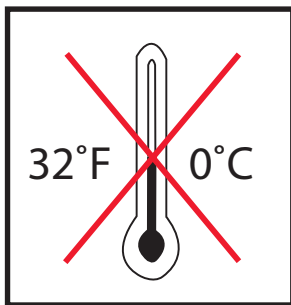
Cette opération devrait être confiée à un technicien agréé.

HIVÉRISATION:

Il sera nécessaire d'hivériser cet appareil lors de son stockage ou son transport par temps de gel. Il est impératif de protéger cet appareil contre le gel pour les raisons suivantes:

1. Toute présence de gel dans le système de pompage risque d'entraîner une surpression capable de faire éclater l'appareil et de mettre en danger l'utilisateur et les tiers.
2. Le système de pompage de cet appareil risque d'être endommagé de manière permanente en cas de gel. **LES DÉGÂTS PROVOQUÉS PAR LE GEL NE SONT PAS COUVERTS AU TITRE DE LA GARANTIE.**

Lorsqu'il est inévitable de stocker l'appareil dans un endroit exposé au gel (moins de 32°F), il est possible de le protéger en appliquant une des méthodes suivantes:



⚠ ATTENTION RISQUES D'ÉCLATEMENT DE L'APPAREIL NE PAS EXPOSER L'APPAREIL AU GEL! SOUFFLAGE À L'AIR COMPRIMÉ:

1. Enlevez l'embout de la lance. Appuyez sur la gâchette jusqu'à ce que l'eau cesse de s'écouler de la lance.
2. Raccordez un flexible à air comprimé au raccord de la crépine du réservoir d'eau.
3. Passez le système à l'air comprimé jusqu'à ce que toute eau ait été chassée du système.

SOLUTION ANTIGEL:

1. Versez un mélange à parties égales d'eau et d'antigel dans le réservoir d'eau.
2. Immergez la crépine à détergent dans de l'antigel pur.
3. Mettez l'interrupteur à la position 'Pump' (pompe). Laissez l'antigel siphonner à travers le système jusqu'à ce que le mélange s'écoule par la sortie. (La solution d'antigel doit s'écouler par la sortie pour assurer l'hivérisation du serpent. Rajoutez de l'antigel à 50% au réservoir d'eau si nécessaire.)

ENTRETIEN

TABLEAU DE MAINTENANCE PRÉVENTIVE PAR L'OPÉRATEUR

OPÉRATION	QUOTIDIEN	3 MOIS	6 MOIS	9 MOIS	12 MOIS
Vérification du niveau d'huile de la pompe à eau	X				
Dépistage visuel des fuites d'huile éventuelles	X				
Dépistage visuel des fuites de carburant éventuelles	X				
Dépistage visuel des fuites d'eau	X				
Examen visuel du flexible	X				
Examen des crépines	X				
Examen de l'embout haute pression	X				
Examen du filtre à carburant/séparateur d'eau	X				
Remplacement de l'huile de la pompe à eau **		X	X	X	X
Remplacement de l'embout haute pression***		X	X	X	X
Examen de la courroie		X	X	X	X
Vérification de réglage de l'arrivée d'air du brûleur		X	X	X	X
Vérification de la pression d'eau*		X	X	X	X
Vérification de la température d'eau*		X	X	X	X
Remplacement du filtre à carburant			X		X
Vérification de la pression d'arrivée du carburant*					X
Détartrage du serpentin****					X
Vérification de la tension/résistance de l'alimentation électrique*					X
Examen du filtre de la pompe à carburant*					X
Examen de électrodes du brûleur*					X
Remplacement de l'injecteur de carburant*					X

* Devrait être confié à un réparateur agréé.

** L'huile de la pompe doit être changée au bout de 50 heures de fonctionnement initial, puis à intervalles de 500 heures ou trois mois, le premier des deux prévalant.

*** L'embout haute pression doit être remplacé dès que la pression tombe à moins de 85%.

**** L'entartrage dépendra de la dureté de l'eau et de la fréquence d'utilisation. Les intervalles de détartrage peuvent varier d'une semaine à un an.

DEPANNAGE

SYMPTOME	CAUSE PROBABLE	SOLUTION
Le moteur ne tourne pas.	Surcharge du circuit.	Déterminer si de mise sous tension est allumé. S'il ne l'est pas, inspecter le fusible ou le disjoncteur du circuit.
	Surcharge du circuit secondaire.	Vérifier les fusibles primaires et secondaires du transformateur.
	Surcharge du moteur.	Réarmer le déclencheur thermique de surcharge du moteur de la pompe ou celui se trouvant dans l'armoire électrique. Appeler le service clients.
Rien ne sort de la buse lorsqu'on presse la gâchette.	L'arrivée d'eau est coupée.	Vérifier l'alimentation en eau. Augmenter la taille du boyau et fournir une alimentation adéquate (23 litres/mn sous 140 kPa).
Pression basse ou fluctuante.	Alimentation en eau inadéquate.	Resserrer tous les raccords au niveau de l'arrivée d'eau et éliminer toutes les fuites éventuelles dans la conduite d'alimentation en eau.
	La pompe aspire de l'air (désamorçage).	Eliminate leaks in intake line.
	La vanne de détergent haute pression est ouverte alors que l'extrémité du boyau n'est pas immergée dans le détergent (crée une perte d'aspiration qui désamorce la pompe).	Fermer la vanne ou immerger le boyau de détergent dans la solution. Réamorcer la pompe.
	Le boyau haute pression est vrillé.	Remplacer le boyau haute pression vrillé.
	La poignée réglable de la double lance n'est pas en position haute pression.	La poignée réglable de la double lance n'est pas en position haute pression.
	Buse de pulvérisation obstruée ou usée.	Retirer, nettoyer ou remplacer.
	Vanne de la pompe endommagée ou usée.	Retirer, nettoyer ou remplacer.
	La garniture de la pompe est usée.	Remplacer la garniture.
	La vanne du déchargeur/de dérivation ne fonctionne pas correctement.	Réparer ou remplacer.
	L'huile mousse ou paraît laiteuse.	Présence d'eau dans l'huile.
Fuite d'huile au niveau de la pompe.	Joints ou joints toriques usés.	Consulter le service clients.
Aucun siphonnage du détergent.	Le filtre à détergent n'est pas complètement submergé dans la solution détergente.	Inspecter, submergé si nécessaire.
	Le filtre à détergent est colmaté.	Inspecter, nettoyer ou remplacer.
	Le boyau de détergent est fissuré, colmaté ou vrillé.	Inspecter, nettoyer ou remplacer.
	La molette de dosage du détergent est en position « OFF » (arrêt).	Ouvrir la molette de dosage. Se reporter à « Nettoyage avec addition de détergents ».
De l'eau s'introduit dans le récipient contenant le détergent.	La bille ou le ressort intégré au filtre sont corrodés ou manquants.	Retirer, nettoyer ou remplacer.

DEPANNAGE

SYMPTOM	PROBABLE CAUSE	REMEDY
De l'eau sort de la buse même lorsque la gâchette est verrouillée en position fermée.	Le pistolet fonctionne mal.	Réparer ou remplacer.
Le brûleur ne s'allume pas.	Interrupteur défectueux.	Vérifiez le réglage de l'interrupteur ou remplacez-le.
	Thermostat réglable défectueux ou en position 'OFF' (arrêt).	Vérifiez le réglage de l'interrupteur ou remplacez-le.
	Coupure de courant.	Consultez le Service à la Clientèle.
	Manque de carburant.	Faites le plein.
	Obstruction de la crépine d'aspiration du réservoir à carburant.	Enlevez, puis nettoyez ou remplacez le tube.
	Gâchette relâchée.	Appuyez sur la gâchette pour rétablir la pression.
	Activation de la sûreté du manostat.	Il faut au moins 15 bars (250 PSI) de pression pour que le brûleur s'allume. (La pression doit être vérifiée par un technicien agréé.)
	Crépine d'aspiration de carburant obstruée.	Consultez le Service à la Clientèle.
	Température au-delà du réglage du thermostat.	L'appareil se rallumera automatiquement dès qu'il a refroidi.
	Raccord flexible brisé.	Remplacez-le.
	Filtre à carburant encrassé ou obstrué.	Nettoyez ou remplacez-le, selon le cas.
	Désamorçage de la pompe à carburant.	Serrez toutes les connexions d'arrivée de carburant. Éliminez les fuites au niveau des conduites d'arrivée.
	Défaillance de la pompe à carburant.	Vérifiez la pression et remplacez-la si nécessaire. (La pression devrait être vérifiée par un technicien agréé.)
	Défaillance du transformateur d'allumage.	Remplacez-le.
	Mauvais réglage, détérioration ou usure des électrodes d'allumage.	Consultez le Service à la Clientèle.
	Défaillance du transformateur d'allumage.	Remplacez-le.
	Défaillance de l'électrovanne d'alimentation.	Consultez le Service à la Clientèle.
Défaillance de l'électrovanne d'alimentation.	Remplacez-le.	
Mode haute pression.	Vérifiez que l'interrupteur brûleur se trouve en position 'ON'.	
De l'eau fuit sous le serpentin de l'échangeur de chaleur.	Condensation	Peut se produire lors de conditions froides et humides. (Voir encadré « important »).
	Fissure du serpentin de l'échangeur de chaleur.	Remplacer le serpentin.

DÉPANNAGE

SYMPTOM	PROBABLE CAUSE	REMEDY
Le moteur du brûleur ne fonctionne pas.	Interrupteur défectueux.	Vérifiez la position de l'interrupteur ou remplacez-le.
	Pas de tension électrique.	Consultez le Service à la Clientèle.
	Surcharge du moteur.	Réarmez-le une fois refroidi.
	Grippage de la pompe à carburant.	Laissez refroidir le moteur. Réparez-le ou remplacez-le au besoin.
Le brûleur fonctionne irrégulièrement.	Présence d'eau dans le carburant.	Vidangez le filtre à carburant/séparateur d'eau. Vidangez le réservoir de carburant, puis remplissez-le de carburant propre.
	Filtre à carburant/séparateur d'eau encrassé.	Remplacez l'élément.
	Crépine d'aspiration du carburant obstruée.	Consultez le Service à la Clientèle.
	Injecteur encrassé.	Remplacez-le.
	Mauvais réglage de l'arrivée d'air.	Réglez-le selon les instructions.
	Anomalie au niveau de la pompe à carburant.	Remplacez-la.
Le brûleur fonctionne, mais ne chauffe pas.	Manque de pression au niveau de la pompe à carburant.	Vérifiez la pression de la pompe à carburant, réglez ou remplacez-la si nécessaire. (La pression doit être vérifiée par un technicien agréé.)
	Injecteur encrassé.	Remplacez-le.
	Mauvais réglage de l'arrivée d'air.	Réglez-le comme indiqué dans le manuel
Le brûleur dégage de la fumée blanche.	Manque de carburant.	Remplissez le réservoir. Si la fumée blanche persiste, consultez le Service à la Clientèle.
	Pression de carburant insuffisante.	Vérifiez la pression de la pompe à carburant, réglez ou remplacez-la si nécessaire. (La pression doit être vérifiée par un technicien agréé.)
	Crépine d'aspiration obstruée.	Consultez le Service à la Clientèle.
	Injecteur encrassé.	Remplacez-le.
	Mauvais réglage de l'arrivée d'air.	Réglez-le comme indiqué dans le manuel
	Chambre de combustion froide au démarrage.	Run burner for several minutes.
	Mélange trop pauvre.	Réglez-le comme indiqué dans le manuel
Le brûleur dégage de la fumée noire.	Mélange trop riche.	Réglez-le comme indiqué dans le manuel
	Orifice d'injecteur trop grand.	Installez l'embout approprié.
	Pression de carburant trop élevée.	Consultez le Service à la Clientèle.
	Chambre de combustion remplie de carburant.	Consultez le Service à la Clientèle

DECLARATION DE GARANTIE

Manufacturé garantit toutes les pièces (hormis les pièces indiquées ci-dessous) de votre laveur haute pression contre tout défaut de matériau ou de main d'oeuvre pendant les périodes suivantes:

A vie limité:

Collecteur de la pompe

Pendant dix (10) ans limité à compter de la date d'achat initial :
la pompe haute pression

Pendant cinq (5) ans limité à compter de la date d'achat initial :
le serpentin de l'échangeur de chaleur

Pendant deux (2) ans limité à compter de la date d'achat initial :
les écrans et dispositifs de protection le châssis
la tuyauterie les poulies

Pendant un (1) an limité à compter de la date d'achat initial :
la vanne de gaz le thermostat réglable
la commande d'allumage le transformateur du circuit de commande

Pendant Six (6) Mois à compter de la date d'achat initial :
Transformateur d'Allumage Moteur du Brûleur

Pendant quatre-vingt dix (90) jours à compter de la date d'achat initial :
Soupape de déchargement Interrupteur de pression
Assemblage d'allumage Thermostat Haute Limite
Régulateur de Pression Électrodes
Commutateurs de Sécurité Vanne Électromagnétique (Carburant)
Pompe à Carburant

Pendant trente (30) jours à compter de la date d'achat initial :
le boyau haute pression le pistolet
les filtres la tige

Les pièces défectueuses, si elles ne sont pas normalement sujettes à usure, seront réparées ou remplacées à notre choix durant la période de garantie. Dans tous les cas, le remboursement sera limité au prix d'achat de la pièce en question.

EXCLUSIONS

1. Le moteur est couvert par la propre garantie de son fabricant et il est sujet aux termes de la garantie en question.
2. Pièces d'usure :
Garniture de la pompe Vanne de la pompe
Raccords rapides Buses de pulvérisation Vannes de détergent
3. Cette garantie ne couvre pas les dommages résultant d'une usure normale, d'une utilisation incorrecte ou abusive, à des vitesses, des pressions et des températures autres que celles recommandées. Les pièces endommagées ou usées par suite de l'utilisation de liquides caustiques ou d'un fonctionnement dans un environnement abrasif ou corrosif ou dans des conditions entraînant une cavitation de la pompe ne sont pas garanties. L'inobservation des procédures d'exploitation et d'entretien recommandées annule également la garantie.
4. L'utilisation de pièces autres que d'authentiques pièces de rechange annulera la garantie. Les pièces retournées à notre usine ou à un centre de réparation agréé seront inspectées et remplacées gratuitement si elles s'avèrent être défectueuses et couvertes par la garantie. Au cune garantie ne sera étendue au-delà de termes stipulés sur le présent document. Le fabricant ne pourra en aucun cas être tenu responsable du manque à gagner dû à la non utilisation de l'appareil, au temps perdu ou à la perte de locations, des dérangements causés, des pertes commerciales ou des dommages indirects.

TABLA DE CONTENIDO

INTRODUCCIÓN	59
ADVERTENCIAS DE SEGURIDAD	60
RIESGO DE EXPLOSIÓN O INCENDIO	60
RIESGO DE ASFIXIA.....	60
RIESGO DE ELECTROCUCIÓN O CHOQUE ELÉCTRICO.....	60
RIESGO DE INYECCIÓN O LESIÓN SEVERA POR CORTADURA GRAVE	61
RIESGO DE QUEMADURAS.....	62
RIESGO DE EXPLOSIÓN	62
RIESGO POR PARTES EN MOVIMIENTO	62
RIESGO DE LESIONES	63
CARACTERÍSTICAS DE LA SERIE HEO	64
LISTA DE COMPONENTES	65
INSTALACIÓN	66
LUBICACIÓN DE LA UNIDAD:.....	66
INSTALACIÓN ELÉCTRICA:	66
VENTILATION:.....	66
SUMINISTRO DE AGUA:	67
CONEXIÓN DE ALTA PRESIÓN:.....	68
LISTA DE VERIFICACIÓN PREOPERATIVA:	69
PREPARACIÓN	70
VESTIMENTA:	70
PREENCENDIDO:	70
TANQUE DE COMBUSTIBLE DEL QUEMADOR:	70
DESCARGADOR:.....	70
BOQUILLAS DE CONEXIÓN RÁPIDA:	70
CONEXIÓN DE LA BOQUILLA:.....	71
CONJUNTO DE VARILLA DOBLE DE PRESIÓN AJUSTABLE:	71
INSPECCIÓN DE SEGURIDAD ANTES DEL ENCENDIDO:.....	72
INSTRUCCIONES DE OPERACIÓN	74
ENJUAGUE DEL SISTEMA:.....	74
OPERACIÓN CON AGUA FRÍA:	74
OPERACIÓN CON AGUA CALIENTE:	75
LIMPIEZA CON DETERGENTES:	75
APAGADO:.....	76
OPCIONES:	76
MANTENIMIENTO	78
MANTENIMIENTO PREVENTIVO:.....	78
ACONDICIONAMIENTO PARA BAJAS TEMPERATURAS:	80
DIAGNÓSTICO Y SOLUCIÓN DE FALLAS	82
DECLARACIÓN DE GARANTÍA	85

⚠️ ADVERTENCIA

⚠️ ADVERTENCIA: Este producto puede exponerle a químicos incluyendo carbon monoxide, que es conocido por el Estado de California como causante de defectos de nacimiento u otros daños reproductivos. Para mayor información, visite www.P65Warnings.ca.gov.

⚠️ ADVERTENCIA

⚠️ ADVERTENCIA: Este producto puede exponerlo a productos químicos, incluido el plomo, que el Estado de California conoce a causar cáncer y defectos congénitos u otros daños reproductivos. Para obtener más información, visite www.P65Warnings.ca.gov

CÓDIGOS NACIONALES:

CÓDIGO NACIONAL DE GAS COMBUSTIBLE ANSI Z223.1 (NFPA No. 54)

CÓDIGO NACIONAL ELÉCTRICO NFPA No. 70 (NEC)

CÓDIGO DE INSTALACIÓN DE GAS-NUMERO CSA B149.1

CÓDIGO CANADIENSE ELÉCTRICO PARTE 1 - NUMERO CSA C22.1

INTRODUCCIÓN

Felicitaciones por haber adquirido su nueva lavadora de presión de la SERIE HEO. Puede estar seguro de que su lavadora de presión fue construida y diseñada pensando en la calidad y la eficacia de funcionamiento. Cada componente ha sido probado rigurosamente para asegurar el nivel más alto de confiabilidad.

Este manual del operador fue preparado para su beneficio. Si lee y sigue los sencillos pasos de seguridad, instalación, operación y mantenimiento, así como de diagnóstico y solución de fallas que se describen en este manual, su nueva lavadora de presión le ofrecerá muchos años de operación sin problemas. El contenido de este manual se basa en la información más reciente del producto, disponible al momento de la publicación. Manufacturer se reserva el derecho de hacer cambios de precio, color, materiales, equipo, especificaciones o modelos en cualquier momento sin previo aviso.

¡IMPORTANTE!

Estos párrafos están rodeados por un “Cuadro de Aviso de Seguridad”. Este cuadro se usa para especificar y enfatizar las advertencias de seguridad que se deberán cumplir al operar esta lavadora a presión. Junto con las Advertencias de Seguridad se encuentran “palabras clave” que designan el grado o nivel de riesgo. Las “palabras clave” usadas en este manual son las siguientes:

PELIGRO: INDICA UNA SITUACIÓN INMINENTEMENTE PELIGROSA QUE, DE NO EVITARSE, CAUSARÁ LESIONES GRAVES O FATALES.

ADVERTENCIA: INDICA UNA SITUACIÓN POTENCIALMENTE PELIGROSA QUE, DE NO EVITARSE, PODRÍA CAUSAR LESIONES GRAVES O FATALES.

PRECAUCIÓN: INDICA UNA SITUACIÓN POTENCIALMENTE PELIGROSA QUE, DE NO EVITARSE, PODRÍA CAUSAR UNA LESIÓN MENOR O MODERADA.

Los símbolos a la izquierda de este párrafo son “símbolos de aviso de seguridad”. Estos símbolos se usan para señalar puntos o procedimientos que podrían ser peligrosos para usted o para otras personas que usen este equipo.



SIEMPRE PROPORCIONE UNA COPIA DE ESTE MANUAL A QUIEN USE ESTE EQUIPO, LEA TODAS LAS INSTRUCCIONES ANTES DE OPERAR ESTA LAVADORA A PRESIÓN Y ESPECIALMENTE SEÑALE LAS “ADVERTENCIAS DE SEGURIDAD” PARA PREVENIR POSIBLES LESIONES AL OPERADOR.

Una vez que haya sacado la unidad de su caja, anote inmediatamente el número de serie en el espacio proporcionado a continuación.

Número de serie: _____

Debe inspeccionar el equipo para determinar si hay señas de daño evidente u oculto ocurrido durante la transportación. Si se encuentra algún daño, presente una queja con la compañía de transportación inmediatamente. Asegúrese de que todas las partes dañadas sean reemplazadas y que los problemas mecánicos y eléctricos sean corregidos antes de operar la unidad. Si requiere de servicio, llame a la oficina de servicio a clientes.

Por favor, prepare la siguiente información cada vez que efectúe una llamada de servicio:

1. Número de modelo
2. Número de serie
3. Fecha y lugar de compra

ADVERTENCIAS DE SEGURIDAD

RIESGO DE EXPLOSIÓN O INCENDIO

Pueden producirse lesiones corporales graves o la muerte debido al chispeo normal presente en las diferentes fuentes de ignición y en el escape del quemador.

Siempre use la lavadora en un área bien ventilada libre de emanaciones inflamables, polvo combustible, gases y cualquier material combustible.

No almacene la lavadora cerca de una llama abierta ni de ningún equipo como estufa, horno, calentador de agua, etc., que cuente con lámpara indicadora o dispositivo de chispas.

¡No use esta lavadora para rociar material inflamable!

No fume mientras esté llenando el tanque de combustible del quemador.

Nunca llene el tanque de combustible del quemador mientras la lavadora esté trabajando o esté caliente. Permítale enfriarse dos minutos antes de llenar el tanque.

Pueden producirse lesiones corporales graves o la muerte si se emplea un combustible inadecuado.

No abastezca el combustible en un área mal ventilada.

Siempre abastezca lentamente el combustible para evitar derramarlo y causar un riesgo de incendio.

Tanque de combustible del quemador:

- Use keroseno, diesel o aceite combustible del No. 1 o No. 2.
- No use gasolina, aceite escurrido de la caja del cigüeñal ni aceite que contenga gasolina ni solventes.

No opere la unidad si hay combustible derramado. Limpie la lavadora y aléjela del combustible derramado. Evite crear todo tipo de ignición hasta que se haya evaporado el combustible.

Esta lavadora de chorro a presión cuenta con un dispositivo de alivio de seguridad el cual jamás debe ser alterado, modificado, desmontado o inhabilitado. Si falla el dispositivo, cámbielo de inmediato por una pieza genuina de repuesto del fabricante.

Pueden producirse lesiones corporales graves o la muerte si no se mantiene debidamente el sistema de seguridad.

No permita que se acumule pelusa o polvo cerca del quemador.

RIESGO DE ASFIXIA

Puede haber riesgo de lesiones graves o fatales a causa de la inhalación del gas de escape del quemador o ciertos vapores peligrosos..

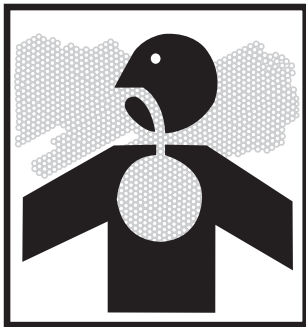
Siempre asegúrese que la ventilación sea adecuada (aire puro del exterior) para respiración y combustión. Esto evitará la acumulación de gases peligrosos como monóxido de carbono. Tenga cuidado en áreas de ventilación escasa, o áreas con ventiladores de extracción que no realicen intercambio de aire adecuado.

Siga todas las instrucciones de seguridad que se proporcionan con los materiales que va a rociar. Puede requerirse el uso de un respirador cuando se trabaja con ciertos materiales. No use esta lavadora de presión para rociar materiales peligrosos.

RIESGO DE ELECTROCUCIÓN O CHOQUE ELÉCTRICO

Hay riesgo de lesiones graves o fatales si la instalación no es adecuada.

Para la instalación de esta unidad, inclusive de las conexiones eléctricas, deben cumplirse todos los códigos y reglamentos locales, estatales y



ADVERTENCIAS DE SEGURIDAD

nacionales (las normas que deben cumplirse incluyen NFPA No.70/NEC del código nacional eléctrico. En Canada; Refiera al código canadiense eléctrico partel - numero CSA C22.1).

Esta unidad tiene que conectar a un sistema permanente de eléctrica de la tierra o un conductor del equipo de la tierra tiene que funcionar con los conductores de circuito y conectar al principal del equipo de la tierra en la unidad.

Pueden sufrirse lesiones graves o fatales si la lavadora de presión no está correctamente conectada a tierra. Su lavadora de presión tiene alimentación de electricidad y puede causar choques eléctricos o electrocución si no se usa correctamente.

Asegúrese que la lavadora de presión esté conectada a una fuente con toma de tierra adecuada, que proporcione el voltaje correcto y tenga la protección adecuada de fusible. Desconecte de la fuente de energía cuando no use el aparato y cuando haga reparaciones.

Puede sufrirse choque eléctrico si la lavadora de presión no se opera correctamente.

Nunca opere la lavadora de presión con sus compartimentos abiertos o con tapas quitadas o dañadas.

No toque la máquina cuando esté parado en piso mojado o con las manos mojadas. Nunca permita que la fuente de alimentación eléctrica o las conexiones hagan contacto con el agua.

No rocíe directamente sobre instalaciones eléctricas. Esto incluye contactos eléctricos, bombillas, cajas de fusibles, transformadores y la unidad misma.

Puede sufrirse una lesión grave o fatal si se hace contacto con el circuito eléctrico.

No permita que los componentes metálicos de la lavadora de presión hagan contacto con componentes eléctricos vivos.

Cualquier cableado o reparación del sistema eléctrico debe realizarlo un técnico de servicio autorizado y de acuerdo con los códigos eléctricos locales y nacionales.

Puede sufrirse una lesión grave o fatal si se intenta hacer una reparación eléctrica sin haber recibido la capacitación necesaria.

Antes de abrir un gabinete eléctrico, siempre apague la lavadora de presión, libere la presión y desconecte la lavadora de la fuente de alimentación. Permita que la lavadora de presión se enfríe. Nunca suponga que la lavadora de presión es segura, solamente porque no está en operación. Podría encenderse en cualquier momento.

RIESGO DE INYECCIÓN O LESIÓN SEVERA POR CORTADURA GRAVE

Hay riesgo de una lesión grave o fatal por penetración de la piel al rociar líquido a alta presión.

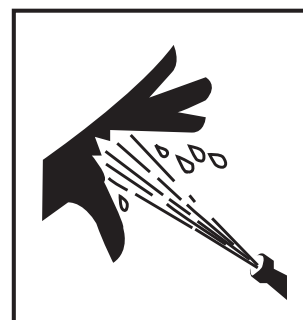
Manténgase apartado de la boquilla y del líquido rociado. Nunca ponga la mano, los dedos o el cuerpo directamente enfrente de la boquilla de rocío.

Nunca apunte la descarga de alta presión hacia su cuerpo o hacia otra persona.

Este producto debe ser usado solamente por operadores capacitados.

Siempre mantenga el área de operación despejada de personas.

Para reducir el riesgo de lesiones graves, es necesario para tener supervisión bueno cuando usando este equipo cerca de niños. No permita que algún niño opere esta unidad.



ADVERTENCIAS DE SEGURIDAD

CONSIGA ATENCIÓN MÉDICA INMEDIATA si el rocío parece haber penetrado la piel. NO TRATE LA HERIDA COMO UNA SIMPLE CORTADURA. Prepárese para explicar al médico exactamente qué tipo de agentes limpiadores está usando, leyendo la hoja de especificaciones de seguridad del material (MSDS) que viene con su detergente.

Las mangueras de alta presión deben ser inspeccionadas diariamente para detectar señales de desgaste. Si existe riesgo de roturas, reemplace todas las mangueras sospechosas para prevenir lesiones causadas por el rocío a alta presión. Si una manguera o conector tiene fuga, NUNCA PONGA LA MANO DIRECTAMENTE SOBRE LA FUGA.

Antes de usar la lavadora de presión, o cuando use conectores rápidos para las mangueras y boquillas de alta presión, asegúrese que el “collar” de la conexión hembra esté firmemente trabado para prevenir una descarga accidental, y asegúrese que todos los conectores estén bien trabados.

NUNCA opere la pistola con el gatillo fijado en la posición abierta. Para prevenir una descarga accidental la pistola debe estar trabada firmemente cuando no se use.

Antes de quitar la boquilla o de reparar la unidad, SIEMPRE debe apagar la unidad y apretar el gatillo de la pistola para liberar la presión atrapada (aun después de apagar la unidad, puede existir agua a alta presión en la bomba, en las mangueras y en la pistola hasta que se libere la presión apretando el gatillo).



RIESGO DE QUEMADURAS

Pueden sufrirse lesiones graves si se toca el intercambiador de calor o la tubería de escape. Estas áreas pueden permanecer calientes por algún tiempo después de haber apagado la lavadora de presión.

Nunca permita que alguna parte del cuerpo haga contacto con el intercambiador de calor o la tubería de escape.

RIESGO DE EXPLOSIÓN

Pueden sufrirse lesiones graves a causa de mal funcionamiento de la lavadora de presión o explosión de accesorios si se usan componentes, aditivos o accesorios incorrectos.

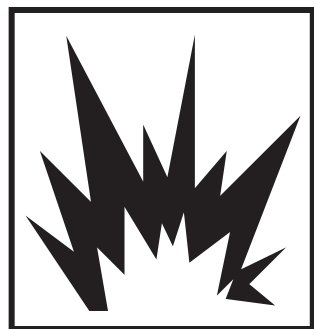
Nunca haga ajustes a las presiones que se hayan ajustado en la fábrica.

Nunca permita que las mangueras hagan contacto con el intercambiador de calor, para prevenir la posibilidad de que revienten. No arrastre las mangueras sobre superficies abrasivas como el cemento.

Use solamente repuestos recomendados por el fabricante para su lavadora de presión.

Pueden sufrirse lesiones graves o fatales si se intenta encender la lavadora a presión cuando se encuentra congelada.

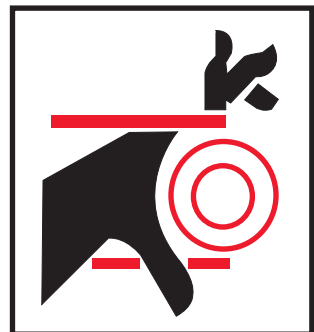
En temperaturas de congelación, la unidad debe estar suficientemente caliente para prevenir que se forme hielo en el interior. No encienda la lavadora de presión sin antes permitir que se descongele completamente.



RIESGO POR PARTES EN MOVIMIENTO

Pueden sufrirse lesiones graves si el operador hace contacto con piezas en movimiento de la lavadora de presión.

No opere la unidad sin sus tapas protectoras ni haga ajustes sin apagar la lavadora, liberar la presión y desconectarla de la fuente de alimentación. Permita que la lavadora se enfríe. Nunca suponga que la lavadora de presión es segura, solamente porque no está en operación. Podría encenderse en cualquier momento.



ADVERTENCIAS DE SEGURIDAD

RIESGO DE LESIONES

Pueden sufrirse lesiones graves o fatales cuando los detergentes hacen contacto con la piel o la penetran.

CONSIGA ATENCIÓN MÉDICA DE EMERGENCIA si el rocío parece haber penetrado la piel. NO TRATE LA HERIDA COMO UNA SIMPLE CORTA-DURA. Prepárese para explicar al médico exactamente qué tipo de agentes limpiadores estaba usando, leyendo la hoja de especificaciones de seguridad del material (MSDS) proporcionada con su detergente.

Nunca use solventes o detergentes altamente corrosivos o limpiadores ácidos con esta lavadora de presión.

Se recomienda usar equipo de protección como trajes de goma, guantes y respiradores, especialmente cuando se usan detergentes limpiadores.

Mantenga todos los detergentes fuera del alcance de los niños.

Pueden sufrirse lesiones graves a causa de residuos lanzados a alta velocidad por la pistola de rocío.

SIEMPRE use gafas protectoras cuando opere la unidad para proteger sus ojos de residuos y detergentes lanzados al aire.

NO dirija el rocío hacia materiales frágiles como cristal porque los podría quebrar.

Pueden sufrirse lesiones si el operador pierde el equilibrio a causa del chorro de agua que sale de la boquilla de rocío.

Manténgase alerta y observe lo que hace. No opere la unidad cuando esté cansado o esté bajo la influencia de alcohol o drogas.

NUNCA apriete el gatillo sin antes estar bien apoyado.

NO se extienda demasiado ni se pare sobre un soporte inestable.

Las superficies mojadas pueden ser resbalosas, por lo tanto debe usar calzado resistente y mantener una buena posición y equilibrio en todo momento.

NUNCA apriete el gatillo mientras esté parado en una escalera o en un techo.

Pueden sufrirse lesiones causadas por la lavadora de presión.

SIEMPRE sostenga firmemente la pistola y varilla cuando encienda y cuando opere la unidad. Si no lo hace, puede caerse la varilla y moverse peligrosamente como un látigo.

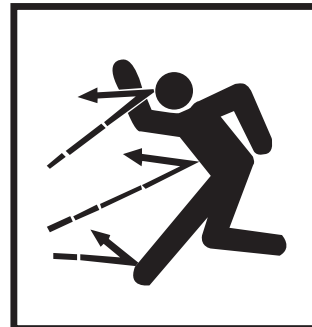
Debe saber cómo parar la lavadora a presión y cómo liberar la presión rápidamente. Familiarícese bien con los controles.

NO deje la unidad a alta presión cuando se aparte. Apague la lavadora y libere la presión antes de apartarse.

NO opere la unidad si hay aceite o agua que se ha fugado de la máquina. NO reanude la operación sin que antes la haya inspeccionado y reparado un técnico capacitado de servicio.

Nunca haga ajustes en la máquina mientras esté en operación.

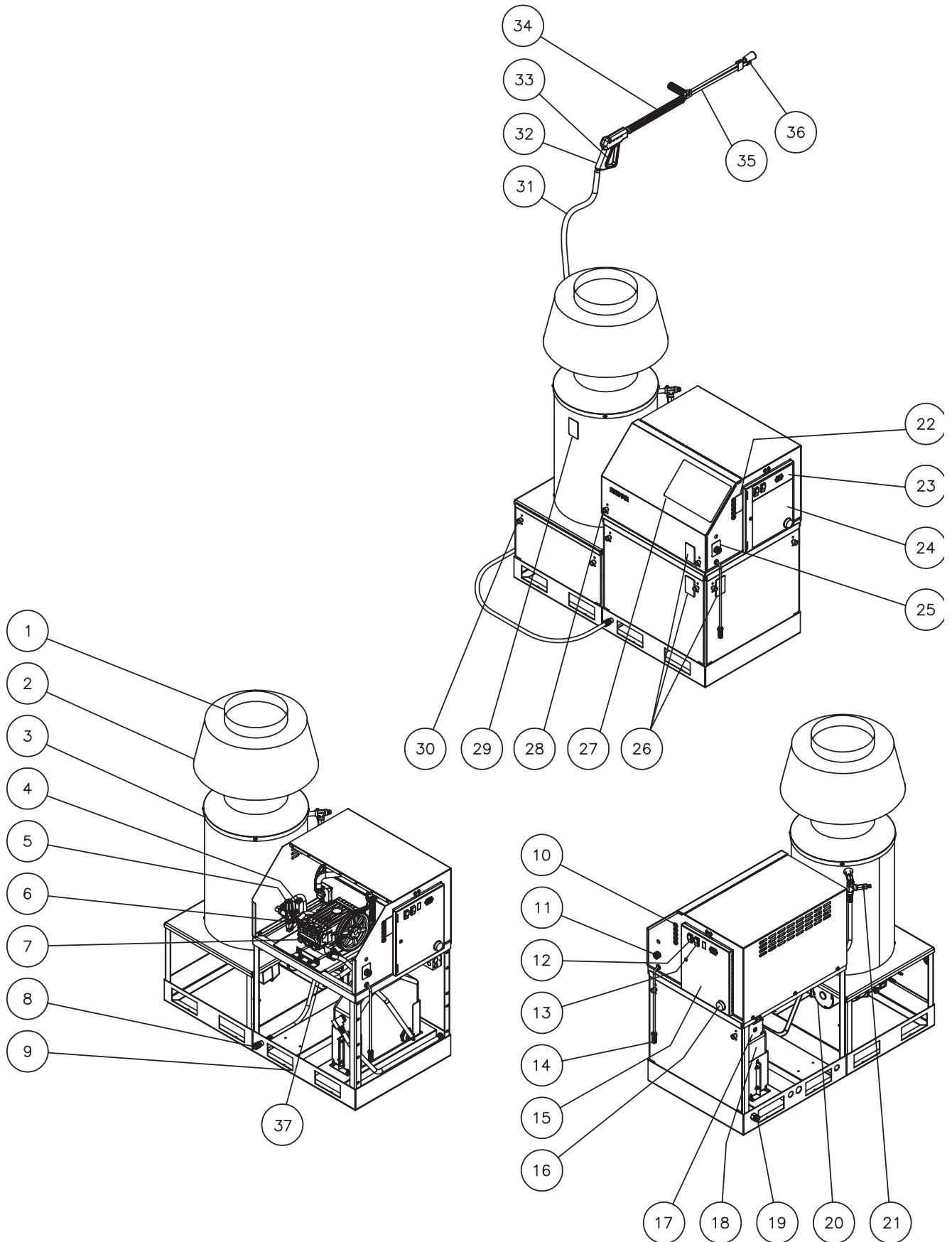
Antes de cualquier servicio a la unidad: apague la lavadora a presión, libere la presión y desconecte la lavadora de su fuente de alimentación. Permita que la lavadora se enfríe. Nunca suponga que la lavadora de presión es segura, solamente porque no está en operación. Podría encenderse en cualquier momento.



 ¡CONSERVE ESTAS INSTRUCCIONES! 

CARACTERÍSTICAS DE LA SERIE HEO

HEG SERIES FEATURES-080212




LISTA DE COMPONENTES

1. Tomacorriente del exhosto
2. Desviador del corriente del aire
3. Intercambiador de calor
4. Interruptor de presión
5. Descargadora de toques de presión
6. Válvula de descarga térmica
7. Bomba de presión alta
8. Tomacorriente de presión alta
9. Acceso de carretilla
10. Depósito de boquilla
11. Válvula medidor de detergente
12. Interruptor de bomba con un luz de indicio
13. Interruptor de quemador con un luz de indicio
14. Malla de detergente
15. Recinto de eléctrico
16. Termostato ajustable
17. Caja de empalme
18. Tanque de flotar con un filtro
19. Entrada del agua
20. Hornilla con el filtro de combustible y el separador de agua
21. Válvula de alivio de presión
22. Calcomanía- boquillas
23. Calcomanía- Interruptores de caja de eléctrico (Bomba/quemador)
24. Calcomanía- Operación
25. Calcomanía- Válvula de detergent
26. Calcomanía- Advertencia: Riesgo de lesiones/poleas expuesto
27. Calcomanía- Advertencia/Adviso
28. Puerta de acceso con bisagras
29. Calcomanía- Advertencia- Superficie calientes
30. Panel del acceso
31. Manguera de presión
32. Gatillo de pistola
33. Cerradura de seguridad de gatillo
34. Lanza con aislante
35. Lanza doble ajustado de presión
36. Boquillas de presión alta
37. Bomba de drenaje de aceite


INSTALACIÓN

LUBICACIÓN DE LA UNIDAD:

 **PELIGRO ¡RIESGO DE EXPLOSIÓN O INCENDIO! NO PONGA LA UNIDAD EN LUGARES DONDE PUEDAN EXISTIR GASES O VAPORES INFLAMABLES. ¡UNA CHISPA PODRÍA CAUSAR UNA EXPLOSIÓN O UN INCENDIO!**

 **¡RIESGO DE ESTALLIDO DE LA UNIDAD! ¡NO PONGA LA UNIDAD EN LUGARES DONDE PUEDA CONGELARSE!**

1. Esta unidad debe instalarla en interiores un técnico capacitado. Debe ser un ambiente sin riesgo de congelación y seco, apartado de viento y lluvia. Si alguna parte de la unidad se congela, la presión excesiva resultante podría causar un estallido y posibles lesiones graves al operador o a las personas que se encuentren cerca. Deben tomarse las precauciones normales para que la humedad no llegue a los controles eléctricos de la unidad de potencia.
2. Debe colocarse apartada de materiales inflamables o combustibles. Estos tipos de materiales deben mantenerse por lo menos a 20 pies de las unidades que consuman gas como combustible.

 **ADVERTENCIA ¡RIESGO DE ASFIXIA! ¡USE ESTE PRODUCTO SOLAMENTE EN ÁREAS BIEN VENTILADAS! EL GAS QUE ESCAPA CONTIENE MONÓXIDO DE CARBONO, UN GAS VENENOSO, INODORO E INVISIBLE. LA RESPIRACIÓN DE ESTE GAS PUEDE CAUSAR LESIONES, ENFERMEDAD Y POSIBLEMENTE LA MUERTE.**

3. No la ponga en áreas pequeñas o en áreas que tengan ventiladores de extracción. La combustión se dificulta y se puede acumular monóxido de carbono en estas áreas. Deje suficiente espacio libre para el servicio. En algunos códigos pueden requerirse ciertas distancias a la pared y al piso. Dos pies de separación hasta la pared pueden ser suficientes.
4. Esta unidad debe colocarse sobre un piso nivelado para asegurar la lubricación adecuada de la bomba de agua al operar. NUNCA rocíe agua directamente hacia la unidad.
5. NO COLOQUE LA UNIDAD en un área:
 - a. que pueda tener gases o vapores inflamables.
 - b. que tenga ventilación insuficiente.
 - c. donde existan fugas de aceite o combustible.

INSTALACIÓN ELÉCTRICA:

 **ADVERTENCIA ¡RIESGO DE ELECTROCUCIÓN! ESTA UNIDAD DEBE CONECTARSE A UNA TOMA DE CORRIENTE CON CONEXIÓN A TIERRA ADECUADA.**

1. Un técnico capacitado de servicio debe realizar la instalación de esta unidad y toda la instalación eléctrica debe cumplir con los códigos y reglamentos locales, estatales y nacionales, incluyendo el NFPA No.70 del código eléctrico nacional (NEC). En Canada; Refiera al código canadiense eléctrico parte 1 - numero CSA C22.1.
2. Esta unidad llega a usted con las puntas de cables en una caja de conexiones dentro del gabinete. Usted debe conectar allí la fuente de alimentación.
3. Debe asegurarse que la alimentación eléctrica tiene las especificaciones de la placa de su lavadora de presión.
4. Asegúrese que todas las conexiones queden firmes y vuelva a poner todas las tapas.

VENTILATION:

1. La instalación de esta unidad en interiores o en áreas cerradas debe ser realizada por un técnico capacitado y todos los medios de ventilación

INSTALACIÓN

deben cumplir con todos los códigos o reglamentos locales, estatales y nacionales, incluyendo el código nacional de gas combustible ANSI Z223.1/NFPA No.54. En Canada; Refiera al código de instalación de gas - numero CSA B149.1. El escape del quemador debe tener un tubo que conduzca los gases a la atmósfera exterior y se debe instalar también una barrera contra vientos.

NOTA: No debe haber más de 6500 BTU por cada pulgada cuadrada de escape.

2. Debe instalarse una barrera contra viento arriba de la salida de escape. Esta barrera anula el efecto de chimenea y mejora el flujo del aire a través del quemador para tener una llama más eficiente. También ayuda a prevenir que los vientos fríos congelen el intercambiador de calor (vea la ilustración #1).
3. Instale el tubo del tamaño recomendado locales, estatales y nacionales, incluyendo el código nacional de gas combustible ANSI Z223.1/NFPA No.54. En Canada; Refiera al código de instalación de gas - numero CSA B149.1. Si el tubo de escape excede de 10 pies o tiene más de dos codos, el tiro natural se elimina y el quemador no encenderá. No instale una compuerta reguladora movable en el tubo.
4. Si se instala la unidad en una habitación cerrada, proporcione aire adecuado para combustión instalando aberturas cerca del techo para escape y cerca del piso para aire de combustión. Estas aberturas deben ser calculadas en base a una pulgada cuadrada por cada 1000 BTU por hora de la máquina.

Ejemplo: Una lavadora de presión con 400,000 BTU de entrada requiere aberturas de 400 pulgadas cuadradas o aproximadamente 3 pies x 1 pie (vea la ilustración #2).

5. Si el edificio en el que se instala la unidad parece muy hermético, se recomienda instalar entradas de aire extendidas hasta el exterior del edificio para tener buen suministro de aire de combustión. Los tubos de estas entradas deben terminar en una abertura o codo hacia abajo para protegerlos de nieve y lluvia. Debe ponerse también una malla con orificios no menores de 1/4" a la entrada del tubo.

SUMINISTRO DE AGUA:

1. Seleccione una manguera de suministro de agua de buena calidad similar a una de jardín, que mida por lo menos 3/4" de diámetro interior y 50 pies de largo como máximo (vea la ilustración #3).
2. Conecte un extremo de la manguera a la entrada de agua del aparato. Conecte el otro extremo a su red de suministro presurizada.

NOTA: Si hay contenido alto de minerales en el agua, se recomienda usar un ablandador de agua para prevenir la acumulación excesiva de minerales en los serpentines del intercambiador de calor.

3. Asegúrese que todas las conexiones estén firmemente apretadas.
 - a. La manguera de suministro a la entrada de agua del aparato.
 - b. La manguera de suministro a la red presurizada de agua.
4. Cumpla con los requisitos que se mencionan a continuación para el suministro de agua:
 - a. La presión del agua debe estar entre un mínimo de 20 PSI y un máximo de 65 PSI.
 - b. El flujo de entrada en GPM debe ser aproximadamente un galón más que el flujo de salida especificado en GPM en la placa de la lavadora de presión. Puede medir el flujo de la línea tomando el tiempo que tarda en llenar un recipiente de 5 galones.
 - c. La temperatura del agua de entrada no debe exceder de 125°F. Puede causarse daño excesivo a la bomba si la temperatura del agua excede de este nivel aceptable.

ILUSTRACIÓN # 1
CAMPANA DE ESCAPE

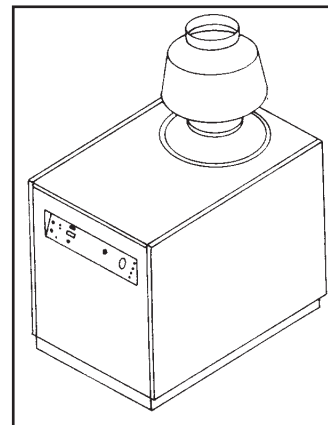


ILUSTRACIÓN # 2
VENTILACIÓN DE
UN CUARTO CERRADO

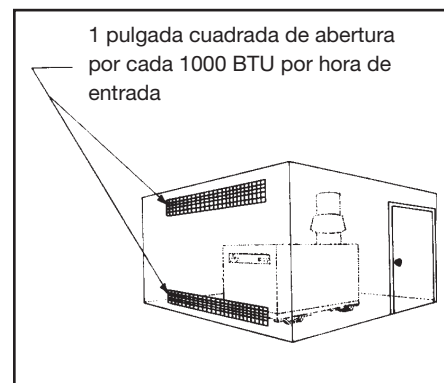
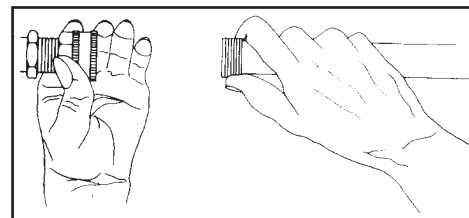


ILUSTRACIÓN #3
CONEXIÓN DE LA MANGUERA



INSTALACIÓN

ILUSTRACIÓN #4
CONEXIÓN DE MANGUERA DE ALTA
PRESIÓN

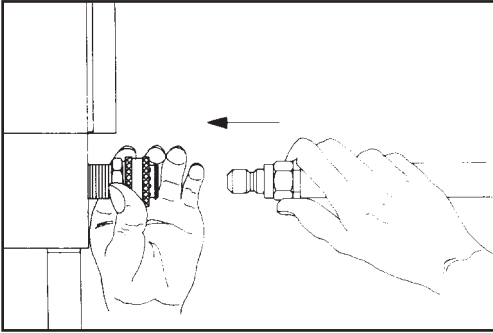
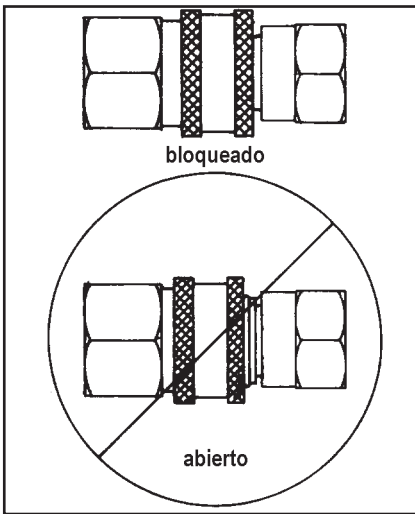


ILUSTRACIÓN #5
CONECTOR RÁPIDO



NOTA: Si el suministro de agua no es adecuado o la manguera está torcida, el aparato no funcionará debidamente y el quemador no se encenderá.

5. Nunca permita que el aparato opere sin la línea de agua de entrada conectada y la válvula de suministro de agua completamente abierta.
6. Los coladores de agua (A) deben estar limpios y libres de toda obstrucción. Una limpieza periódica de los coladores contribuye a evitar problemas en la bomba. A medida que vaya obstruyéndose un colador, restringe el flujo de agua hacia la bomba. Esto puede producir cavitación, lo cual a su vez causa una descompostura prematura de la bomba. Desmonte los coladores (A) y límpielos o cámbielos.

CONEXIÓN DE ALTA PRESIÓN:

Conecte la manguera de descarga de alta presión uniendo un extremo a la lavadora y el otro a la pistola. Asegúrese que los conectores rápidos estén firmemente trabados (vea las ilustraciones #4 y #5).

INSTALACIÓN

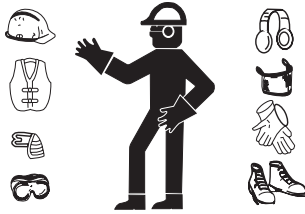
LISTA DE VERIFICACIÓN PREOPERATIVA:

ANTES DE ENCENDER LA UNIDAD, CONTESTE LAS PREGUNTAS DE ESTA LISTA:

PREGUNTAS	SÍ	NO
CÓDIGOS:		
1. ¿Cumple la instalación eléctrica con los códigos respectivos?	—	—
2. ¿Cumple el sistema de ventilación con los códigos respectivos?	—	—
LUBICACIÓN:		
1. ¿Está instalada la unidad en el interior de un edificio sobre un piso no combustible en un área seca protegida de exceso de viento, lluvia y humedad?	—	—
2. ¿Está ubicada la unidad lejos de materiales inflamables y combustibles?	—	—
3. ¿Está ubicada la unidad en un lugar suficientemente grande para tener flujo de aire adecuado?	—	—
INSTALACIÓN ELÉCTRICA:		
1. ¿Está conectada debidamente a tierra la unidad?	—	—
2. ¿Cumplen todos los componentes eléctricos de la instalación con los requisitos mostrados en la placa de especificaciones del aparato (32) y se alimenta el voltaje correcto?	—	—
VENTILACIÓN:		
1. ¿Se han empleado los tubos y campana de tamaño adecuado para el escape?	—	—
2. ¿Hay ventilación adecuada para la combustión del quemador?	—	—
3. ¿Está adecuadamente ventilada la unidad para permitir un flujo de aire apropiado?	—	—
4. ¿Está entubada la línea de escape hasta llegar al exterior del edificio?	—	—
GENERAL:		
1. ¿Han leído todos los operadores de esta unidad el manual de instalación y operación y entendido todas las advertencias de seguridad?	—	—
2. ¿Ha sido instalada la unidad por técnicos capacitados que siguieron las instrucciones del manual de instalación y operación?	—	—
3. ¿Existe un suministro de agua abundante?	—	—

SI SE MARCA NO EN CUALQUIERA DE ESTAS PREGUNTAS, CORRIJA LA SITUACIÓN ANTES DE OPERAR ESTE APARATO.

PREPARACIÓN



VESTIMENTA:

1. Es esencial usar ropa adecuada para su seguridad. Se recomienda utilizar los medios necesarios para proteger ojos, oídos y piel. Puede requerirse equipo de seguridad adicional (como mascarilla respiratoria) cuando se usan detergentes limpiadores con esta lavadora de presión.

ILUSTRACIÓN #6
BOMBA- DE NIVEL DE ACEITE DE
ATRÁS



PREENCENDIDO:

1. Verifique que de "voltaje" esté encendida.
2. Debe revisarse el nivel de aceite de la bomba antes de cada uso. Revise el nivel de aceite sacando al varilla que está encima del cárter de la bomba. El nivel adecuado de aceite está marcado con una muesca en la varilla (vea la ilustración #6). Si el nivel es bajo, use aceite de bomba SAE10W-30. Vuelva a poner las tapas.
3. Inspeccione el filtro de entrada del agua. Límpielo o cámbielo si es necesario. Vea "Suministro de agua".

TANQUE DE COMBUSTIBLE DEL QUEMADOR:

⚠ PELIGRO ¡RIESGO DE INCENDIO! -¡NO FUME MIENTRAS LLENA EL TANQUE DE COMBUSTIBLE! -NO LLENE EL TANQUE MIENTRAS LA UNIDAD ESTÉ TRABAJANDO O CALIENTE. PERMÍTALE ENFRIARSE DOS MINUTOS ANTES DE ABASTECER EL COMBUSTIBLE. -NO LLENE EL TANQUE AL PUNTO DE REBOSAMIENTO.

1. Estudie la sección "Riesgo de explosión o incendio" antes de abastecer el combustible.

⚠ ADVERTENCIA ¡RIESGO DE EXPLOSIÓN O INCENDIO! SIEMPRE MANTENGA EL COMBUSTIBLE LEJOS DE LA LAVADORA CUANDO ÉSTA ESTÉ TRABAJANDO O CALIENTE.

2. Localice las calcomanías de seguridad de la unidad y preste atención a las advertencias.
3. Llene el tanque de combustible del quemador con keroseno, diesel o aceite combustible del No. 1 o No. 2. ¡No use gasolina!

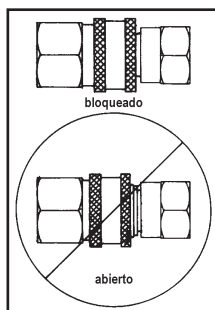
DESCARGADOR:

El descargador ha sido preajustado en la fábrica y sólo debe ser ajustado por un técnico capacitado.

BOQUILLAS DE CONEXIÓN RÁPIDA:

Hay varias boquillas de conexión rápida para la punta de la varilla doble de presión ajustable para cambiar el patrón de rociado o la función de detergente. Cuando use conectores rápidos, asegúrese que queden firmemente trabados (vea la ilustración #7). Si no quedan bien trabados, el agua a alta presión puede lanzar la boquilla, separándola de la varilla y causando lesiones graves o daños serios. Para determinar la amplitud del ángulo de rociado (vea la ilustración #8) consulte el número que viene estampado en la boquilla. Los primeros dos dígitos indican el ángulo de rociado en grados, es decir, 00 = 0°, 15 = 15°, 25 = 25° y 40 = 40°.

ILUSTRACIÓN #7
CONECTOR RÁPIDO



1. La boquilla de 0° (ROJA): Esta es una boquilla de chorro. Proporciona una corriente de agua muy concentrada. Tenga cuidado cuando use esta corriente angosta y recta. No se recomienda para superficies pintadas o de madera, ni para objetos adheridos con adhesivo al reverso. Se usa para remover hierba de cuarteaduras de aceras, manchas difíciles de superficies de concreto, mampostería, aluminio y acero, costras de lodo en equipo, y limpieza de la parte inferior de cortadoras de césped.
2. La boquilla de 15° (AMARILLA): Esta es una boquilla de cincelar. El rociado debe dirigirse a un ángulo de 45° a la superficie para usarse como raspador

PREPARACIÓN

y remover pintura, grasa y suciedad. Usos: preparación de superficies (eliminación de manchas de moho y pintura descascarada), limpieza de desagües y tubos de drenaje.

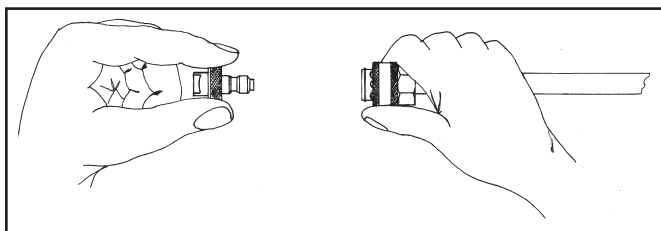
3. La boquilla de 25° (VERDE):
 - a. Esta es una boquilla de barrido. El patrón de rociado es adecuado para desprender suciedad, lodo y cochambre. Usos: barrido de hojas "de aceras, andadores y entradas de coche, limpieza de pisos de establos, lavado de fondos de albercas, desengrasado de motores.
 - b. En unidades con opción de vapor, esta boquilla se usa para operación de vapor mojado de 250°F. Esta boquilla tiene tamaño para operación con la válvula de descargas y vapor (donde para proveer) vapor mojado de presión alta. Reemplazo de esta boquilla con unaboquilla que tiene tamaño inadecuado puede causar problemas de operación con la maquiña.
4. La boquilla de 40° (BLANCA): Esta es una boquilla de lavado. Esta boquilla de rociado amplio dispersa el agua a presión sobre un área amplia y se recomienda para lavado moderado. Usos: lavado de forros de paredes de aluminio, limpieza de ventanas, lavado de vehículos, lavado de aceras, andadores y patios.

CONEXIÓN DE LA BOQUILLA:

⚠ ADVERTENCIA ¡RIESGO DE INYECCIÓN CAUSANDO LESIÓN GRAVE! ¡LA PISTOLA DEBE SIEMPRE MANTENERSE TRABADA EN SU POSICIÓN CERRADA CUANDO NO SE USE! ¡NUNCA MIRE DIRECTAMENTE HACIA LA BOQUILLA, A MENOS QUE ESTÉ DESCONECTADA DEL CONJUNTO DE PISTOLA Y VARILLA!

1. Asegúrese que la pistola esté trabada en su posición cerrada (OFF) (vea la ilustración #9).
2. La boquilla de conexión rápida debe desconectarse de la varilla doble de presión ajustable en este momento. Como se muestra en la ilustración #10, tiene que mover hacia atrás el anillo de trabado que está en el conector para remover la boquilla.

ILUSTRACIÓN #10
CONEXIÓN DE LA BOQUILLA



CONJUNTO DE VARILLA DOBLE DE PRESIÓN AJUSTABLE:

1. Esta unidad tiene una varilla doble de presión ajustable que permite al usuario seleccionar entre rociado de alta o baja presión. Simplemente se gira el mango ajustable de la varilla para obtener la presión deseada.
 - a. La selección de alta presión se logra girando el mango ajustable de la varilla en sentido contrario a las manecillas del reloj como se muestra en la ilustración #11.
 - b. La selección de baja presión se logra girando el mango ajustable de la varilla en el sentido de las manecillas del reloj como se muestra en la ilustración #11. Si se usa el accesorio para inyección de detergente, al llegar a una presión suficientemente baja, este inyector empezará extraer detergente hacia el sistema. La mezcla de agua y detergente sale por la boquilla de rociado y la boquilla de detergente.

Manual del operador de lavadoras de presión de agua caliente

ILUSTRACIÓN #8
BOQUILLAS DE CONEXIÓN RÁPIDA

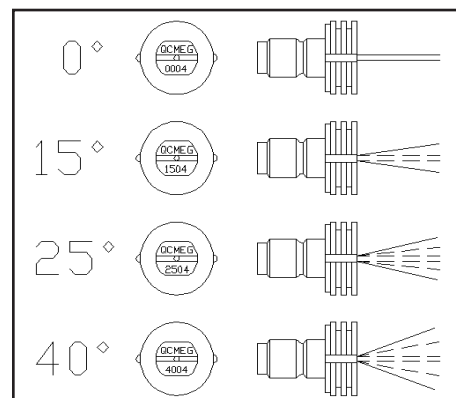


ILUSTRACIÓN #9
TRABA DE LA PISTOLA

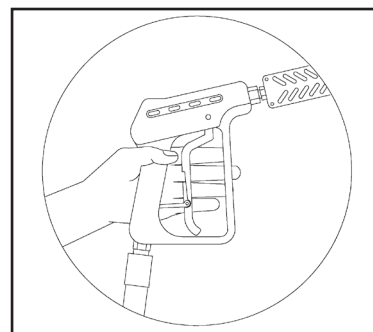
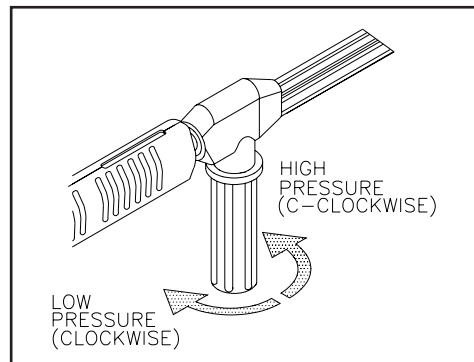


ILUSTRACIÓN #11
VARILLA DOBLE



PREPARACIÓN

INSPECCIÓN DE SEGURIDAD ANTES DEL ENCENDIDO:

1. Antes de encender la unidad, siga los siguientes pasos de inspección:
 - a. Busque olor de gas. Si detecta olor de gas, ¡NO ENCIENDA EL APARATO! Vea la sección de advertencias de “Riesgo de explosión o incendio” .
 - b. Revise todas las conexiones de mangueras para asegurarse que estén firmemente apretadas.
 - c. Inspeccione el sistema para detectar fugas de agua o aceite.
 - d. Inspeccione el sistema para detectar torceduras, cortaduras o fugas en las mangueras de alta presión. Si encuentra una cortadura o fuga, ¡NO USE LA MANGUERA! Cambie la manguera antes de encender el aparato. Vea la sección de advertencias de “Riesgo de inyección” en la página 69. Asegúrese de reemplazar todas las piezas dañadas y corregir los problemas mecánicos antes de operar el aparato. Si requiere servicio, comuníquese a la oficina de servicio a clientes.

⚠️ ADVERTENCIA ⚠️

LAS SIGUIENTES PÁGINAS CONTIENEN INSTRUCCIONES SOBRE LA OPERACIÓN Y EL MANTENIMIENTO.

NO INTENTE OPERAR ESTA LAVADORA A PRESIÓN HASTA QUE HAYA LEÍDO Y COMPRENDIDO TODAS LAS PRECAUCIONES E INSTRUCCIONES DE SEGURIDAD SEÑALADAS EN ESTE MANUAL. SIGA INSTRUCCIONES DE MANTENIMIENTO QUE ESPECIFICAR EN ESTA MANUAL.

¡LA OPERACIÓN INCORRECTA DE ESTA UNIDAD PUEDE CAUSAR LESIONES GRAVES!

¡NO ALTERE NI MODIFIQUE ESTE EQUIPO DE NINGUNA MANERA!

INSTRUCCIONES DE OPERACIÓN

Una vez que un técnico capacitado haya instalado el aparato y usted haya completado la lista de verificación preoperativa, ya está listo para la operación. Los siguientes pasos le ayudarán a operar su máquina con seguridad.

ENJUAGUE DEL SISTEMA:



PRECAUCIÓN RIESGO DE DAÑO A LA UNIDAD ASEGÚRESE QUE NO ESTÉN CONECTADAS LA MANGUERA, LA PISTOLA O LA BOQUILLA CUANDO SE ESTÉ PURGANDO EL SISTEMA. AL PURGAR SE LIBERAN DEPÓSITOS MINERALES DEL SISTEMA, LOS CUALES PODRÍAN OBSTRUIR O DAÑAR LA PISTOLA Y LA BOQUILLA, REQUIRIENDO REPARACIONES COSTOSAS.

1. Esta unidad tiene un serpentín de acero en el que se torna marrón o negra el agua residual del uso previo. Debe evacuarse y enjuagarse el sistema antes de encenderlo. Este procedimiento se realiza sin tener instalada la pistola y la varilla doble de presión ajustable.
 - a. Verifique que esté abierta la alimentación de agua.
 - b. Muera interruptor de bomba a posición de "ON" y encienda la unidad de bomba.
 - c. Opere la unidad por 3 a 5 minutos.
 - d. Apaquee la maquiña.
 - e. Una vez que enjuague el sistema, conecte la pistola y la varilla doble de presión a la manguera de alta presión.

OPERACIÓN CON AGUA FRÍA:

1. Consulte la sección de "Precauciones de seguridad" antes de encender la unidad.
2. Busque las calcomanías de seguridad en su unidad y respete estas advertencias.
3. Asegúrese que el interruptor del quemador esté apagado (posición OFF).



PELIGRO ¡RIESGO DE INYECCIÓN QUE PROVOCA LESIONES GRAVES! ¡MANTÉNGASE COMPLETAMENTE APARTADO DE LA BOQUILLA! ¡NUNCA COLOQUE LA MANO O LOS DEDOS DELANTE DE LA BOQUILLA! ¡NO DIRIJA EL CHORRO DE DESCARGA HACIA PERSONAS O MASCOTAS!

4. Apunte con la pistola en una dirección segura, destrabe el gatillo de la pistola y apriételo. Apóyese bien para soportar una posible patada de la pistola cuando la bomba arranque.
5. Mueva interruptor de bomba a la posición de "ON" y encienda la unidad de bomba.
6. Una vez que haya encendido la unidad, siga los siguientes pasos con la pistola abierta.
 - a. Inspeccione el sistema para detectar fugas de agua o aceite.
 - b. Inspeccione las mangueras de alta presión para detectar fugas. Si descubre una fuga, ¡NO TOQUE LA MANGUERA EN EL LUGAR DE LA FUGA! ¡APAGUE EL APARATO INMEDIATAMENTE! Reemplace la manguera antes de usar el aparato. Vea la sección de advertencias "Riesgo de inyección" en la página 69. Asegúrese que reemplacen todas las partes dañadas y corrijan los problemas mecánicos antes de operar la unidad.
7. En este punto, la unidad está operando como lavadora de presión con agua fría. Apriete el gatillo de la pistola varias veces y trate de ajustar la presión del agua girando el mango de la varilla doble. ¡NUNCA ponga las manos o los dedos en frente de la boquilla ni mire directamente hacia la boquilla! ¡El agua a alta presión crea un riesgo de lesiones graves!
8. No permita que la unidad funcione en un modo de derivación (con el gatillo cerrado) por más de tres minutos sin accionar el gatillo de la pistola. El no

INSTRUCCIONES DE OPERACIÓN

seguir esta simple regla puede causar la falla prematura de los sellos del empaque de la bomba, resultando en una reparación costosa a la misma.

⚠ PRECAUCIÓN RIESGO DE DAÑO NO PERMITA QUE EL PATRÓN DE ROCÍO PERMANEZCA EN UNA ÁREA FIJA DURANTE UN PERIODO DE TIEMPO PROLONGADO. PUEDE CAUSAR DAÑOS EN ESA ÁREA.

9. Su lavadora de presión puede ofrecerle rociado a alta presión y una gran variedad de patrones de rociado con agua fría. Si desea usar agua caliente o detergentes limpiadores, vea en la página 83 los procedimientos correctos.

OPERACIÓN CON AGUA CALIENTE:

⚠ ADVERTENCIA ¡RIESGO DE QUEMADURAS! LA TEMPERATURA DEL AGUA PODRÍA SUBIR A UN NIVEL MUY ALTO DURANTE LA OPERACIÓN CON AGUA CALIENTE. TENGA PRECAUCIÓN CUANDO AJUSTE LA PRESIÓN O CUANDO CONTROLE EL CONJUNTO DE PISTOLA Y VARILLA.

1. Siga los pasos descritos para "OPERACIÓN CON AGUA FRÍA".

⚠ IMPORTANTE CUANDO SE TRABAJA BOMBEANDO AGUA FRÍA HACIA EL INTERCAMBIADOR DE CALOR Y EL QUEMADOR ESTÁ ENCENDIDO, HABRÁ CONDENSACIÓN Y GOTEO EN EL SERPENTÍN. ESTO TENDRÁ LA APARIENCIA DE UNA FUGA DEL SERPENTÍN PARTICULARMENTE EN TIEMPO FRÍO Y HÚMEDO.

2. Mueva el interruptor del quemador a la posición de encendido (ON). Al inicio de encendido el agua comenzará a calentarse en 60 segundos aproximadamente y alcanzará su temperatura máxima en 3 minutos aproximadamente, siempre y cuando se mantenga oprimido el gatillo de la pistola. El quemador se apagará cuando se suelte el gatillo.
3. Ajuste el termostato en la regulación deseada.

En este punto, la unidad está operando como lavadora de presión de agua caliente. Recuerde ser extremadamente cuidadoso cuando ajuste la presión y controle el conjunto de pistola y varilla para evitar la posibilidad de quemaduras.

4. Vuelva a revisar el sistema para ver si hay fugas de combustible. Si encuentra alguna fuga de combustible, ¡APAGUE DE INMEDIATO LA UNIDAD! Vea "Riesgo de explosión o incendio".

LIMPIEZA CON DETERGENTES:

Esta función está diseñada para usar detergentes suaves solamente. Debido a que la solución de limpieza recorre el serpentín del intercambiador de calor, no use compuestos corrosivos, ya que causarían daño extenso y representarían un riesgo a la seguridad.

1. Asegúrese de usar vestimenta protectora de seguridad.
2. Prepare la solución de detergente de acuerdo con las instrucciones de su etiqueta. Nunca bombee ácidos, álcalis, fluidos abrasivos o solventes con esta unidad.
3. Sumerja completamente en la solución de detergente el extremo del colador de la manguera transparente de vinilo para detergente.
4. Ajuste la cantidad de detergente deseado girando la perilla reguladora de flujo hasta la regulación deseada.
5. Para rociar la solución, quite la traba del gatillo de la pistola y apriete el gatillo. En un momento verá salir mezcla de detergente y agua por la boquilla. Comience a rociar la porción inferior de la superficie que va a

INSTRUCCIONES DE OPERACIÓN

limpiar y avance hacia arriba, dando pasadas largas traslapadas. Rocíe del fondo hacia arriba para evitar franjas. Permita que se remoje brevemente. No trabaje sobre superficies calientes ni bajo la luz directa del sol para así reducir al mínimo la posibilidad que se seque el detergente, lo cual puede resultar en daños a la superficie. Recuerde limpiar una sección pequeña a la vez.

6. Para enjuagar, mueva la perilla reguladora de flujo a la posición cerrada (OFF). Tardará unos 30 segundos en purgar todo el detergente de la línea. Para obtener los mejores resultados en el enjuague, comience por arriba y avance hacia abajo.

NOTA: Si maquina tiene caja (s) de remoto, para información de detergente de solenoide.

7. Después de cada uso haga pasar por medio de sifón un galón de agua a través del sistema de detergente. Esto previene la posibilidad de corrosión o acumulación de residuos de detergente que causan problemas mecánicos durante usos subsecuentes.

NOTA: La perilla reguladora de flujo o detergente solenoide de detergente DEBE ponerse en la posición cerrada (OFF) cuando no se use la máquina o cuando el colador no esté totalmente sumergido en la solución. Si no se cierra, la bomba perderá su cebado y no se obtendrá descarga de la boquilla. Esta condición dañará la bomba durante un tiempo prolongado.

APAGADO:

1. Si el interruptor del quemador está todavía encendido, apáguelo.
2. Apriete el gatillo y descargue agua por unos tres minutos para enfriar el intercambiador de calor y la manguera de alta presión (el enfriamiento insuficiente de la manguera de alta presión causará desgaste excesivo y rotura eventual de la manguera).
3. Mueva interruptor de bomba a posición de "OFF" para parar la unidad de bomba. Si la maquina tiene la opción de apagarse de encendido retardada, espere para un descanso de reloj automático y apague la maquina. Vea abajo para más información de apagarse de encendido retardada.
4. Oprima el gatillo de la pistola momentáneamente para liberar la presión atrapada.

OPCIONES:

CAJAS DE REMOTOS

La opción de caja de remoto permita control de la unidad de no más de cuatro terminales de trabajo. Los terminales tienen cableado en paralelo para permitir todo control de unidad de alguno terminal en alguna vez del operador. Solenoide químico que agregar a la unidad principal y interruptores de control en las cajas de remotos controlar los detergentes.

La corriente maxima para cableado remoto como siguiente:

14 Cableado de indicador - 200 pies

16 Cableado de indicador - 100 pies

APAGADO DEL ENCENDIDO RETARDADO

La opción de apagado del encendido retardado provee un apagado automático ajustable para la principal unidad. La fabrica preprogramar los intervalos de apagado del encendido retardado en dos un medio minutos. Esta opción anula la operación del interruptor de ON/OFF de la bomba para control de apagado del motor de bomba.

AUTO - ENCENDIDO / PARAR

La opción de auto encendido / parar provee un apagado automático ajustable y un interruptor de presión para encender una otra vez automática-

Manual del operador de lavadoras de presión de agua caliente

INSTRUCCIONES DE OPERACIÓN

mente la unidad cuando ha apretado el gatillo de la pistola. La fábrica preprograma los intervalos de apagado del encendido retardado en dos y medio minutos. Esta opción no es de conseguir con opción de caja de remoto o opción de descarga de activación del flujo.

VAPOR - 250°F

La opción de vapor de 250°F provee salida de vapor mojado de la unidad. Con ajustados a la válvula de vapor en la panel de control principal y usando la boquilla de vapor que se incluye, se puede obtener vapor de 250°F. El tamaño de boquilla de vapor es crítico para operación adecuada de la opción.

MANTENIMIENTO

MANTENIMIENTO PREVENTIVO:

FUGAS:

Elimine con prontitud cualquier fuga que encuentre en el sistema de bombeo removiendo las piezas sospechosas y aplicando sellador en las roscas antes de reinstalar.

NOTA: Si usa cinta de teflón, asegúrese que no entre cinta a la tubería para prevenir la posibilidad de taponamientos en las boquillas.

ACOPLADORES RÁPIDOS:

Hay sellos anulares (o-ring) dentro de los acopladores, los cuales se pueden deteriorar. Para cambiarlos, simplemente instale un sello de repuesto para corregir la fuga (vea la ilustración #12). Puede adquirir sellos anulares con su distribuidor.

BOQUILLA:

El flujo del agua a través de la boquilla erosiona el orificio, agrandándolo y causando como resultado pérdida de presión. Deben cambiarse las boquillas siempre que la presión baje a menos del 85% del máximo. La frecuencia de reemplazo depende de variables como el contenido de minerales en el agua y el número de horas que se usa la boquilla.

BOMBA:

1. Cambie el aceite de la bomba después de las primeras 50 horas de operación. Después del cambio inicial, se recomiendan intervalos de 3 meses o 250 horas. Si el aceite parece sucio o lechoso, pueden requerirse cambios más a menudo.
2. Busque la manguera de drenaje de aceite de la bomba.
3. Use un recipiente vacío para atrapar el aceite y quite el tapón de drenaje (vea la ilustración #13).
4. Permita que el aceite drene de la bomba y vuelva a poner el tapón. Elimine el aceite usado de acuerdo con los reglamentos locales, estatales y nacionales.
5. Llene el cárter de la bomba hasta que el nivel llegue a la muesca de la varilla usando aceite de bomba SAE10W-30. No llene demasiado.

INSPECCIÓN DE LA BANDA:

Asegúrese de que la unidad está apagada. Quite el panel lateral o levante la tapa a inspeccione la correa en "V" para ver el desgaste y la tensión. Si es necesario cambiar o apretar la correa, efectúe el procedimiento indicado abajo, vea la ilustración #14.

Cambio:

1. Afloje los cuatro tornillos de montaje de la bomba (A).
2. Afloje las tuercas de los tornillos de alineación (B1 y B2) una pulgada (2.5 cm) aprox.
3. Deslice la bomba hacia el motor para aflojar las correas.
4. Retire y cambie la correa.

Apriete: (Si no cambió la correa, va a necesitar aflojar las tuercas de los tornillos de alineación (B1 y B2) antes de proseguir.)

1. Apriete el tornillo de alineación B2. La bomba se desplaza hacia la izquierda hasta que haya tensión en la correa. Después apriete la tuerca B2.
2. Apriete el tornillo de alineación B1, hasta que queden alineadas ambas poleas. (Use una regla para la alineación.)
3. Oprima la correa para verificar la deflexión y la tensión. Debe haber una deflexión de 1/4" (6 mm) a 1/2" (12 mm) si la tensión está correcta.

ILUSTRACIÓN #12
ACOPLADORES RÁPIDOS

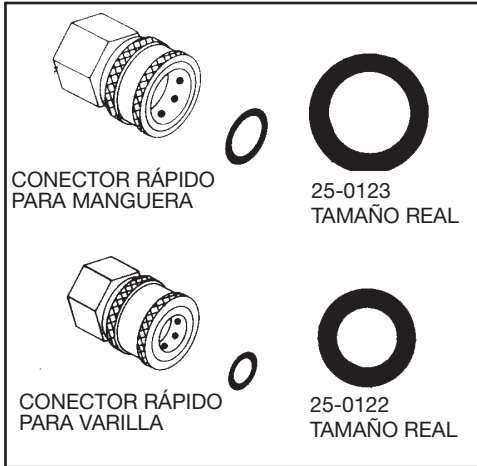


ILUSTRACIÓN #13
DRENAJE DE ACEITE DE LA BOMBA

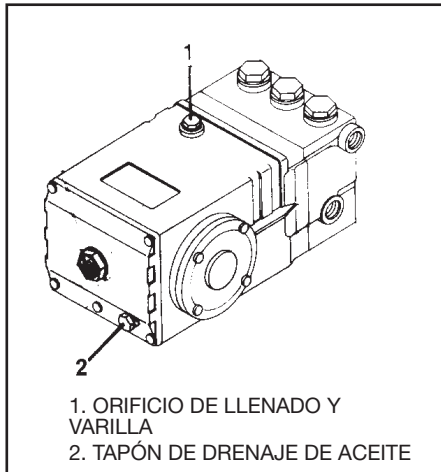
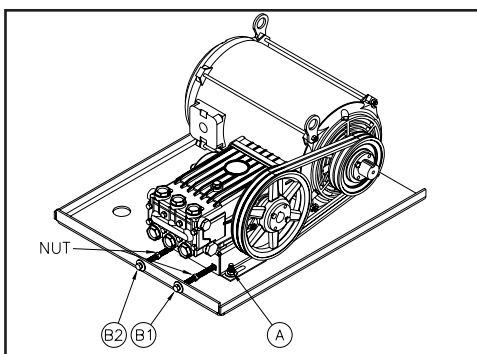


ILUSTRACIÓN #14
AJUSTE DE TENSIÓN DE CORREA



MANTENIMIENTO

4. Si están alineadas las poleas y está correcta la tensión, apriete la tuerca B1 y los cuatro tornillos de montaje de la bomba (A).
5. Si no está correcta la tensión, repita los pasos 6 y 7 hasta lograr la alineación y la tensión correctas. Apriete los cuatro tornillos de montaje (A) al terminar.
6. Afloje la tuerca B2, apriete el tornillo B2 y luego apriete aquélla.
7. Afloje la tuerca B1, apriete el tornillo B1 y luego apriete aquélla. 7. Loosen B1 nut, tighten B1 bolt, tighten B1 nut.

DESCALCARIZACIÓN DEL SERPENTÍN:

Una pérdida de presión puede significar que necesita descalcarizarse el serpentín. Efectúe periódicamente este procedimiento.

1. Mezcle el polvo o solución de descalcarización según las instrucciones del paquete.
2. Retire la boquilla de la caña. Coloque una media de nailon sobre el conjunto de la caña para recoger toda basura, y luego coloque el conjunto de la caña en el tanque de flotador.
3. Ponga el interruptor en la posición "Pump" (bomba). El agua circula a través del sistema y regresa al tanque de flotador. Permita que la circulación continúe de 2 a 4 horas.
4. Gire el interruptor a la posición "OFF" (apagado). Drene y limpie el tanque de flotador. Retire la media de nailon y limpie el conjunto de la caña.
5. Lave todo el sistema con agua dulce limpia y luego vuelva a colocar la boquilla en el conjunto de la caña.
6. Deseche la solución de descalcarización según los reglamentos locales, estatales y nacionales.

PROBAR VOLTAJE Y CONSUMO DE CORRIENTE:

Con un voltímetro y un amperímetro pruebe la máquina para ver el voltaje y el amperaje. Si no cuenta con estos instrumentos, o no sabe como usarlos, entonces este procedimiento debe ser efectuado por un técnico de servicio autorizado.

FILTRO DE COMBUSTIBLE / SEPARADOR DE AGUA:

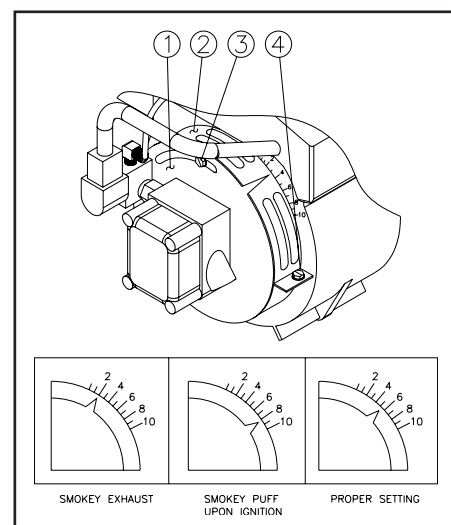
Inspeccione el tazón del filtro de combustible / separador de agua para ver si tiene acumulación de agua. Si hay agua, abra la válvula de drenaje del tazón para drenar el agua, y luego ciérrela.

AJUSTE DE AIRE DEL QUEMADOR:

La compuerta de aire del quemador está ajustada en la fábrica para un funcionamiento adecuado entre el nivel del mar y a una altitud de 600 metros sobre el nivel del mar en condiciones normales (temperatura ambiente del agua y aire a 60° F / 16° C). A temperaturas inferiores o alturas mayores, puede ser necesario ajustar el suministro de aire a la cámara de combustión. Este ajuste sirve para aumentar al máximo la eficiencia del quemador y evitar un funcionamiento ineficiente o la acumulación de hollín en el serpentín del intercambiador de calor. Se recomienda efectuar una prueba de mancha de humo durante todo ajuste de la compuerta del aire y de la correa. Si no cuenta con el equipo necesario para efectuar dicha prueba, efectúe el procedimiento siguiente.

1. La máquina debe estar trabajando y el quemador encendido.
2. Afloje el tornillo fijador (#3, izq. ilustración #15) de la compuerta.
3. Revise para ver si hay humo proveniente del escape del intercambiador de calor. Si no hay humo presente, lentamente cierre la compuerta del aire (#1, izq. ilustración #15); para ello, gire el selector hacia la izquierda, a un número inferior. Continúe girando el selector hasta que aparezca humo.
4. Anote este valor.
5. Abra la compuerta del aire (#1, izq. ilustración #15) dos incrementos. P, ej., si la compuerta del aire estaba en el 2, póngala en el 4.
6. Lentamente apriete y afloje el gatillo. Esto causa que el quemador se encienda

ILUSTRACIÓN #15
AJUSTE DE AIRE DEL QUEMADOR



MANTENIMIENTO

- y se apague. Busque una bocanada de humo al encenderse el quemador.
7. Repita los pasos 5 y 6, hasta que observe salir una bocanada de humo. Anote el ajuste de la compuerta del aire.
 8. La diferencia existente entre los ajustes anotados en los pasos 4 al 7 es el intervalo de combustión. Fije el selector a medio camino entre estos dos valores.

NOTA: Si no puede detectar uno de los ajustes en el paso 3 o 7, es posible que sea necesario más aire para lograr un intervalo de combustión adecuado. Afloje el tornillo (#4, izq.) y abra la banda de aire (#2, izq.) en incrementos de 1/4". Repita los pasos 3 al 8 hasta lograr un intervalo de combustión adecuado.

PRUEBA DE PRESIÓN DEL AGUA Y DEL COMBUSTIBLE:

Estos procedimientos sólo deben ser efectuados por un técnico de servicio autorizado.

PRUEBA DE TEMPERATURA DEL AGUA:

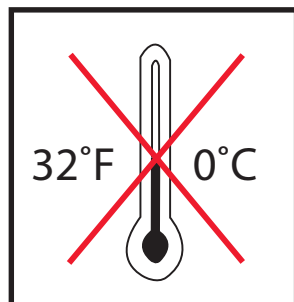
Estos procedimientos sólo deben ser efectuados por un técnico de servicio autorizado.

ACONDICIONAMIENTO PARA BAJAS TEMPERATURAS:

Para propósitos de almacenamiento y transportación a temperaturas inferiores a la de congelación, es necesario acondicionar esta unidad. Debe protegerse para las más bajas temperaturas posibles, por las siguientes razones:

1. Si se congela alguna pieza del sistema de bombeo, puede acumularse una presión excesiva en la unidad, lo cual puede causar un reventón de la unidad y las posibles consecuentes lesiones tanto del operario como de los circunstantes.
2. Si se congela el sistema de bombeo de esta unidad, puede quedar permanentemente dañado. **LOS DAÑOS POR CONGELACIÓN NO ESTÁN CUBIERTOS POR LA GARANTÍA.**

Si debe almacenar la unidad en un área en la que la temperatura pueda descender más allá de 32° F (0° C), puede proteger la unidad siguiendo uno de los procedimientos descritos abajo.



⚠️ ADVERTENCIA ¡RIESGO DE ESTALLIDO! ¡NO EXPONGA ESTE APARATO A AMBIENTES CON TEMPERATURAS DE CONGELACIÓN!

SOPLADO CON AIRE:

1. Retire la boquilla del conjunto de la caña. Oprima el gatillo hasta que cese de salir agua por el conjunto de la caña.
2. Conecte un adaptador para aire de una manguera de aire al accesorio del colador del tanque de flotador.
3. Circule aire comprimido por el sistema para eliminar del mismo toda el agua presente.

SOLUCIÓN ANTICONGELANTE:

1. Vierta una mezcla de agua y anticongelante al 50/50 en el tanque de flotador.
2. Coloque el colador del detergente en una solución de anticongelante al 100%.
3. Ponga el interruptor en la posición "Pump" (bomba). Permita que el anticongelante se introduzca en el sistema hasta que salga solución de anticongelante por la salida. (Para asegurarse de que el serpentín esté acondicionado para bajas temperaturas, la solución de anticongelante debe salir por la salida. Agregue una mezcla al 50/50 al tanque de flotador si es necesario.)

MANTENIMIENTO

CUADRO DE MANTENIMIENTO PREVENTIVO PARA EL OPERADOR

PROCEDIMIENTO	DIARIAMENTE	3 MESES	6 MESES	9 MESES	12 MESES
Rev. nivel ac. bomba agua	X				
Inspección visual para fuga de aceite	X				
Inspección visual para fuga de comb	X				
Inspección visual para fuga de agua	X				
Inspección visual de la manguera	X				
Inspección de filtro de agua	X				
Inspección boquilla de alta presión	X				
Inspección filtro comb./separ. agua	X				
Cambiar ac. bomba agua **		X	X	X	X
Cambiar boquilla alta presión***		X	X	X	X
Inspeccionar banda		X	X	X	X
Revisar ajuste aire quemador		X	X	X	X
Probar presión de agua*		X	X	X	X
Probar temperatura de agua*		X	X	X	X
Cambiar filtro de combustible			X		X
Probar presión de combustible*					X
Descalcarización de serpentín****					X
Probar voltaje y consumo de corr.*					X
Inspeccionar filtro bomba combust*					X
Revisar electrodos del quemador*					X
Cambiar boquilla de combustible*					X

* Sólo técnicos de servicio autorizados.

** La bomba de aceite debe cambiarse después de las primeras 50 horas de trabajo y cada 500 horas o 3 meses, lo que suceda primero.

*** Debe cambiarse la boquilla de alta presión cada vez que la presión sea inferior al 85%.

**** La acumulación de escama calcárea varía según el contenido de minerales del agua e intensidad de uso. La descalcarización puede efectuarse desde cada semana hasta cada año.

DIAGNÓSTICO Y SOLUCIÓN DE FALLAS

SEÑAL DE FALLA	CAUSA PROBABLE	SOLUCIÓN
El motor no funciona	Sobrecarga del circuito.	Determine si está encendida de voltaje. Si no está encendida, revise el disyuntor o fusible.
	Sobrecarga del circuito secundario.	Revise los fusibles primarios y secundarios del transformador.
	Sobrecarga del motor.	Restablezca el botón de sobrecarga térmica en el motor de la bomba o en la caja de interruptores eléctricos. Llame a la oficina de servicio a clientes.
No hay descarga en la boquilla cuando se aprieta el gatillo.	Suministro de agua cerrado.	Revise el suministro de agua a la entrada. Aumente el diámetro de manguera para tener suministro adecuado de agua (20 PSI, 6 GPM).
Presión baja o fluctuante.	Suministro de agua inadecuado.	Apriete todas las conexiones de alimentación de agua.
	Entra aire a la bomba (cebado eliminado).	Elimine las fugas de la línea de alimentación.
	La válvula de detergente de alta presión está abierta sin tener el extremo de la manguera sumergido en el detergente (causa fuga de vacío y se elimina de cebado).	Cierre la válvula o sumerja la manguera de detergente en la solución. Vuelva a cebar la bomba.
	Doblez en la manguera de descarga de alta presión.	Cambie la manguera de alta presión que tiene el doblez.
	El mango ajustable en la varilla no está en modo de alta presión.	Gire el mango en sentido contrario a las manecillas del reloj para pasar a alta presión.
	Boquilla taponada o desgastada.	Quítela, límpiela o cámbiela.
	Válvula dañada o taponada en la bomba.	Quítela, límpiela o cámbiela.
	Empaques desgastados en la bomba.	Reemplace los empaques.
La válvula de descarga/derivación no opera correctamente.	Repare o reemplace.	
El aceite parece lechoso o espumoso.	Agua en el aceite.	Cambie el aceite de la bomba. Llene hasta el nivel adecuado.
Fuga de aceite de la bomba.	Sellos desgastados.	Llame a la oficina de servicio a clientes.
No se extrae el detergente por sifón.	El colador de detergente no está completamente sumergido en la solución de detergente.	Revise y sumerja si es necesario.
	Colador de detergente taponado.	Inspeccione, limpie o cambie.
	Manguera de detergente cortada, obstruida o doblada.	Inspeccione, limpie o cambie.
	Perilla reguladora de flujo de detergente en posición cerrada (OFF).	Abra la perilla reguladora. Consulte la sección "Limpieza con detergentes" en la página 83.
El agua retorna al recipiente de detergente.	Bola y resorte del colador ausentes o corroídos.	Desmonte, limpie o reemplace.
El agua fluye por la boquilla cuando la pistola tiene el gatillo trabado en su posición cerrada (OFF).	Falla de funcionamiento en la pistola.	Repare o reemplace.

DIAGNÓSTICO Y SOLUCIÓN DE FALLAS

SEÑAL DE FALLA	CAUSA PROBABLE	SOLUCIÓN
El quemador no enciende.	Intrrpt. defectuoso o no está en la posición "Burner" (quemador).	Verifique la posición del intrrpt. o cámbielo.
	Está defectuoso el termost. ajust.33) o en la posición "Off" (apagado).	Verifique la posición del intrrpt. o cámbielo.
	No hay voltaje.	Hable al dep. de servicio al cliente.
	Sin combustible.	Abastezca el combustible.
	Colador tubo entr. tanque comb. obstr.	Retire el tubo y límpielo o cámbielo.
	Está cerrada la pistola.	Abra la pistola para dar presión.
	Intrrpt. de presión inhabilitado.	La presión debe ser sobre 250 PSI/ 15 Bar para que encienda el quemad. (La pres. debe ser verificada por un técnico de servicio autorizado.)
	Colador de recogida de combust. obstr.	Hable al dep. de servicio al cliente.
	Temp. arriba del valor del termostato.	La unidad caliente automat. al enfriarse.
	Acoplador flexible roto.	Cámbielo.
	Filtro de combust. sucio o atascado.	Drénelo o cámbielo según sea nec.
	La bomba de combust. chupa aire.	Apriete las conex. de entr. de comb Elimine las fugas del cond. de entr.
	No trabaja la bomba de combust.	Verif. la pres., cámbiela si es nec. (La pres. debe ser verificada por un técnico de servicio autorizado.)
	Boquilla de comb. sucia o atascada.	Cámbiela
	Mal ajuste de aire del quemador.	Hable al dep. de servicio al cliente.
	Falla del transf. de ignición.	Cámbiela.
	Gotea agua bajo el serpentín del intercambiador de calor.	Condensación.
Rotura en el serpentín del intercambiador de calor.		Reemplace el serpentín.
No trabaja el motor del quemador.	Interruptor defectuoso o no está en la posición "Burner" (quemador)	Verifique la posición del interruptor o reemplácelo
	No hay voltaje.	Contact Customer Service
	Sobrecarga del motor.	Restablézcalo cuando se enfríe.
	Se agarrotó la bomba de combustible.	Permita enfriarse al motor. Repárela o cámbiela.

DIAGNÓSTICO Y SOLUCIÓN DE FALLAS

SEÑAL DE FALLA	CAUSA PROBABLE	SOLUCIÓN
El quemador trabaja erráticamente.	Hay agua en el aceite combustible.	Drene el filtro de comb./sep. de agua Drene el tanque de comb., y ponga combustible limpio
	Filtro de comb./sep. de agua sucio	Cambie el elemento.
	Colador de recogida de comb. obstruido	Hable al dep. de servicio al cliente.
	Boquilla de combustible sucia.	Cámbiela
	Valor del ajuste de aire inadecuado.	Como se explica en el manual
	La bomba de comb. funciona mal.	Cámbiela.
El quemador trabaja pero no calienta.	Baja presión en la bomba de comb.	Revise la presión, ajústela o cámb. si es nec. (La presión debe ser verificada por un técnico de servicio autorizado.)
	Boquilla de combustible sucia.	Cámbiela
	Valor del ajuste de aire inadecuado.	Como se explica en el manual
El quemador emite humo blanco.	Combustible bajo.	Cargue comb. Si persiste el humo, hable al dep. de servicio al cliente.
	Baja presión de combustible.	Revise la presión, ajústela o cámb. si es nec. (La presión debe ser verificada por un técnico de servicio autorizado.)
	Colador de recogida de comb. obstruido	Hable al dep. de servicio al cliente.
	Boquilla de combustible sucia.	Cámbiela
	Valor del ajuste de aire inadecuado.	Como se explica en el manual
	Cám. de comust. fría en el arranque.	Opere el quemador unos minutos.
	Suministro excesivo de aire.	Como se explica en el manual
El quemador emite humo negro.	Insuficiente suministro de aire.	Como se explica en el manual
	Orificio de boq. de comb. muy grande.	Ponga la boquilla adecuada.
	Presión de combustible muy alta.	Hable al dep. de servicio al cliente.
	Cámara de combustión cargada con combustible sin quemar.	Hable al dep. de servicio al cliente.

DECLARACIÓN DE GARANTÍA

El manufacturar garantiza todas las piezas (excepto las piezas a las cuales se hace referencia más abajo) de su nueva lavadora de presión contra defectos en sus materiales o su manufactura durante los períodos siguientes:

Para vida (limitado):

Colector de bomba

Por diez (10) años (limitado) a partir de la fecha original de compra:

La bomba de alta presión

Por cinco (5) años (limitado) a partir de la fecha original de compra:

El serpentín del intercambiador de calor

Por dos (2) años (limitado) a partir de la fecha original de compra:

Protecciones o guardas

Tubería

Marcos

Poleas

Por un (1) año (limitado) a partir de la fecha original de compra:

Válvula de gas

Control de ignición

Termostato ajustable

Transformador de control

Durante seis (6) meses a partir de la fecha de compra original:

Transformador de ignición

Motor del quemador

Por noventa (90) días a partir de la fecha original de compra:

Válvula de descargas

Interruptor de presión

Asamblea de arranque

Termostato de límite arriba

Válvula reguladora

Electrodos

Interruptores de seguridad

Solenoides del combustible

Bomba de combustible

Por treinta (30) días a partir de la fecha original de compra:

Manguera de alta presión

Pistola de gatillo

Coladores/Filtros

Durante el período de garantía, se repararán o reemplazarán a discreción las piezas defectuosas que no estén sujetas a un desgaste normal. El reembolso en cualquier caso se limitará al precio de compra.

EXCLUSIONES

1. El motor está cubierto bajo una garantía por separado que su respectivo fabricante ofrece, y queda sujeto a los términos establecidos en dicha garantía.
2. Piezas sujetas a desgaste normal:
Empaques de la bomba Boquillas rociadoras
Válvulas de la bomba Válvulas de detergente Conectores rápidos
3. Esta garantía no cubre piezas dañadas a causa de desgaste normal, aplicación incorrecta, uso incorrecto, u operación a velocidades, presiones o temperaturas diferentes a las recomendadas. Tampoco se garantizan las piezas dañadas o desgastadas debido al uso de líquidos cáusticos o a la operación en ambientes abrasivos o corrosivos, o bajo condiciones que causen cavitación de la bomba. También se anula la garantía si no se siguen los procedimientos recomendados de operación y mantenimiento.
4. El uso de piezas que no sean genuinas anulará la garantía. Las piezas enviadas con porte prepagado a la fábrica o a un centro de servicio autorizado serán inspeccionadas y reemplazadas sin cargo alguno si se encuentran defectuosas y están cubiertas por la garantía. No hay otras garantías que se extiendan más allá de la descripción presentada aquí. Manufacturar no será responsable bajo ninguna circunstancia por pérdida de uso del aparato, pérdida de tiempo o renta, inconveniencia, pérdida comercial o daños consecuentes.

