

OPERATOR'S MANUAL FOR
HHB and HHS-SERIES
HOT WATER
PRESSURE WASHERS

PARTS LIST



CAUTION

RISK OF INJURY!


READ MANUAL BEFORE OPERATING!

This manual is an important part of the pressure washer and must remain with the unit when you sell or rent it!


TABLE OF CONTENTS

INTRODUCTION	3
IMPORTANT SAFETY INSTRUCTIONS	4
RISK OF ELECTRIC SHOCK OR ELECTROCUTION	4
RISK OF EXPLOSION OR FIRE	4
RISK OF ASPHYXIATION	5
RISK OF INJECTION OR SEVERE CUTTING INJURY	5
RISK OF BURNS	6
RISK OF BURSTING	6
RISK FROM MOVING PARTS	6
RISK OF BODILY INJURY	6
HHS FEATURES	8
FEATURES LISTING	9
SPECIFIC UNIT INFORMATION	9
INSTALLATION & PREPARATION	10
ATTIRE:	10
SETUP:	10
OPTIONAL STACK ADAPTER – VENTILATION INSTRUCTIONS	10
POWER CORD CONNECTION:	11
BURNER FUEL TANK:	12
ADJUSTABLE PRESSURE DUAL LANCE:	12
DUAL LANCE CONNECTION:	12
WATER SUPPLY:	13
UNLOADER:	13
THERMAL RELIEF VALVE:	13
PRE-START INSPECTION PROCEDURES:	13
OPERATING INSTRUCTIONS	15
FLUSHING THE SYSTEM:	15
START-UP/COLD WATER OPERATION:	15
HOT WATER OPERATION:	16
TIME DELAY SHUTDOWN OR AUTO START/STOP CHOICE (HHS ONLY):	17
OPTIONAL STEAM OPERATION (HHS ONLY):	17
CLEANING WITH DETERGENTS:	18
SHUTDOWN:	18
OPTIONS (HHS ONLY):	19
STORAGE & MAINTENANCE	20
MAINTENANCE-DAILY:	21
MAINTENANCE-EVERY 3 MONTHS:	21
MAINTENANCE-EVERY 6 MONTHS:	23
MAINTENANCE-EVERY 12 MONTHS:	23
MAINTENANCE-SEASONAL:	23
STATEMENT OF WARRANTY	28

WARNING

 **WARNING:** This product can expose you to chemicals including carbon monoxide, which is known to the State of California to cause birth defects or other reproductive harm. For more information go to www.P65Warnings.ca.gov

WARNING

 **WARNING:** This product can expose you to chemicals including carbon monoxide, which is known to the State of California to cause birth defects or other reproductive harm. For more information go to www.P65Warnings.ca.gov

INTRODUCTION

Congratulations on the purchase of your new HHS-Series hot water pressure washer! You can be assured your hot water pressure washer was constructed and designed with quality and performance in mind. Each component has been rigorously tested to ensure the highest level of acceptance.

This operator's manual was compiled for your benefit. By reading and following the simple safety, installation, operation, maintenance and troubleshooting steps described in this manual, you will receive years of trouble free operation from your new hot water pressure washer. The contents of this manual are based on the latest product information available at the time of publication. The manufacturer reserves the right to make changes in price, color, materials, equipment, specifications or models at any time without notice.

! IMPORTANT !

These paragraphs are surrounded by a "SAFETY ALERT BOX". This box is used to designate and emphasize Safety Warnings that must be followed when operating this pressure washer.

Accompanying the Safety Warnings are "signal words" which designate the degree or level of hazard seriousness. The "signal words" used in this manual are as follows:

DANGER: INDICATES AN IMMINENTLY HAZARDOUS SITUATION WHICH, IF NOT AVOIDED, WILL RESULT IN DEATH OR SERIOUS INJURY.

WARNING: INDICATES A POTENTIALLY HAZARDOUS SITUATION WHICH, IF NOT AVOIDED, COULD RESULT IN DEATH OR SERIOUS INJURY.

CAUTION: INDICATES A POTENTIALLY HAZARDOUS SITUATION WHICH, IF NOT AVOIDED MAY RESULT IN MINOR OR MODERATE INJURY.

The symbols set below this paragraph are "Safety Alert Symbols". These symbols are used to call attention to items or procedures that could be dangerous to you or other persons using this equipment.



ALWAYS PROVIDE A COPY OF THIS MANUAL TO ANYONE USING THIS EQUIPMENT. READ ALL INSTRUCTIONS BEFORE OPERATING THIS PRESSURE WASHER AND ESPECIALLY POINT OUT THE "SAFETY WARNINGS" TO PREVENT THE POSSIBILITY OF PERSONAL INJURY TO THE OPERATOR.

Once the unit has been uncrated, immediately write in the serial number of your unit in the space provided below.

SERIAL NUMBER _____

Inspect for signs of obvious or concealed freight damage. If damage does exist, file a claim with the transportation company immediately. Be sure that all damaged parts are replaced and that the mechanical and electrical problems are corrected prior to operation of the unit. If you require service, contact your customer service.

Please have the following information available for all service calls:

1. Model Number
2. Serial Number
3. Date and Place of Purchase

IMPORTANT SAFETY INSTRUCTIONS

RISK OF ELECTRIC SHOCK OR ELECTROCUTION



Serious injury or death could occur if the pressure washer is not properly grounded. Your pressure washer is powered by electricity and may cause electric shock or electrocution if not used properly.

This product must be grounded. Make sure the pressure washer is equipped with a GFCI built into the power supply cord. If this is not available, the pressure washer must be plugged into a receptacle that is protected by a GFCI. Disconnect when not in use.

If your unit is equipped with a GFCI, DO NOT drop the GFCI as damage could result. If the GFCI is accidentally dropped, be certain to test the GFCI before using to ensure it is working properly. (Follow instructions on GFCI for test procedures.)

Always be certain the unit is receiving proper voltage. Before plugging the unit into a compatible power source, be certain the switch is in the "OFF" position. Disconnect when not in use.

Do not modify the electrical plug. If it will not fit the outlet, have a proper outlet installed by a qualified electrician. Do not use any type of adapter.

Electrical shock may occur from electrical cord.

Check power cord for signs of crushing, cutting or heat damage. If replacement of plug or cord is needed, use only identical replacement parts.

Do not use extension cords with this pressure washer.

Keep all connections dry and off the ground. Do not allow electrical cords to lay in water or in such a position where water could come in contact with them. Do not touch plug with wet hands.

Do not pull on the electrical cord to disconnect from the outlet.

DO NOT direct spray on or into electrical installations of any kind! This includes electrical outlets, light bulbs, fuse boxes, transformers, the unit itself, etc.

Electrical shock may occur if pressure washer is not operated properly.

DO NOT allow metal components of the pressure washer to come in contact with live electrical components.

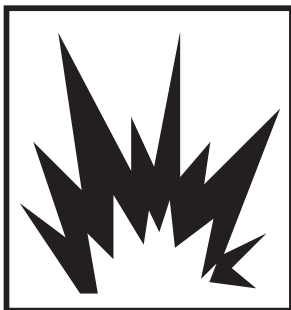
Never operate the pressure washer with safety guards/covers removed or damaged.

Any electrical wiring or repairs performed on this pressure washer should be done by Authorized Service Personnel in accordance with National and Local electrical codes.

Serious injury or death may occur if electrical repairs are attempted by unqualified persons.

Before opening any electrical enclosure, always shut off the pressure washer, relieve pressure and unplug the pressure washer from the power source. Allow the pressure washer to cool down. Never assume the pressure washer is safe to work on just because it is not operating. It could restart at any time! Service in a clean, dry, flat area.

RISK OF EXPLOSION OR FIRE



Serious injury or death may occur from normal sparks in the multiple ignition sources or burner exhaust.

Always operate pressure washer in a well ventilated area free of flammable vapors, combustible dust, gases or other combustible materials.

Do not store the pressure washer near an open flame or any equipment such as a stove, furnace, water heater, etc., which utilizes a pilot light or sparking device.

IMPORTANT SAFETY INSTRUCTIONS

Do not use this pressure washer to spray flammable material!

Do not smoke while filling burner fuel tank.

Serious injury or death may occur as a result of improper fueling.

Never fill the burner fuel tank while the pressure washer is running or hot. Allow to cool two minutes before refueling.

Do not refuel in a poorly ventilated area.

Always refuel slowly to avoid the possibility of spilled fuel which may cause a risk of fire.

Burner Fuel Tank:

Use No. 1 or No. 2 fuel oil/diesel or kerosene. Do not use gasoline, crank-case drainings or oil containing gasoline or solvents.

Serious injury or death may occur if system safety's are not properly maintained. Do not operate the unit if fuel is spilled. Wipe the pressure washer clean and move it away from the spill. Avoid creating any ignition until the fuel has evaporated.

This pressure washer has a Safety Relief device which should never be altered, modified, removed or made inoperative. If the device fails, replace immediately with only genuine manufacturer replacement part.

RISK OF ASPHYXIATION

Serious injury or death may occur from inhaling burner exhaust or dangerous vapors.

Never operate this pressure washer in an enclosed area. Always make certain there is adequate ventilation (fresh outside air) for breathing and combustion. This will prevent the build up of dangerous carbon monoxide gases. Beware of poorly ventilated areas, or areas with exhaust fans which can cause poor air exchange.

Follow all safety instructions provided with the materials you are spraying. Use of a respirator may be required when working with some materials. Do not use this pressure washer to dispense hazardous detergents.

RISK OF INJECTION OR SEVERE CUTTING INJURY

Serious injury or death could occur from high pressure spray penetrating the skin.

Keep clear of nozzle and spray! Never put your hand, fingers or body directly over the spray nozzle.

Never point the high pressure discharge spray at yourself or anyone else.

This product is to be used only by trained operators. Close supervision is necessary when used near children.

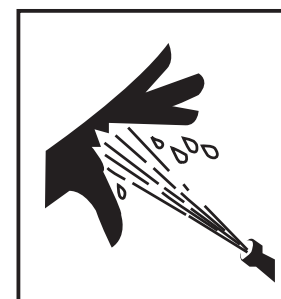
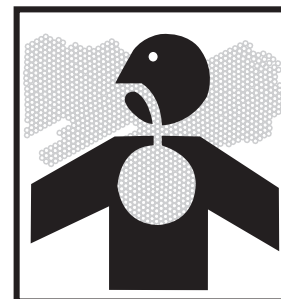
Always keep operating area clear of all persons.

DO NOT allow children to operate this unit.

SEEK EMERGENCY MEDICAL CARE if the spray appears to have penetrated the skin! DO NOT TREAT AS A SIMPLE CUT!!

High pressure hoses and fuel lines should be inspected daily for signs of wear. If evidence of failure exists, promptly replace all suspect hoses and fuel lines to prevent the possibility of injury from the high pressure spray. If a hose or fitting is leaking, NEVER PLACE YOUR HAND DIRECTLY ON THE LEAK.

NEVER operate the gun with the trigger wired in the open position. To prevent accidental discharge, the trigger gun should be securely locked when not in use.



IMPORTANT SAFETY INSTRUCTIONS

Before removing the spray nozzle or servicing the unit, ALWAYS shut off the unit and trigger the gun to release trapped pressure. (Even after you shut off the unit, there is high pressure water left in the pump, hose and gun until you release it by triggering the gun.)



RISK OF BURNS

Serious injury may occur from touching the heat exchanger. This area can remain hot for some time after the pressure washer is shutdown.

Never allow any part of your body to contact the heat exchanger.

Do not leave unit unattended after shutdown until it is completely cooled down as described in the "SHUTDOWN" procedures listed on page 18 of this manual.

RISK OF BURSTING

Serious injury may occur from a pressure washer malfunction or exploding accessories if incorrect system components, attachments or accessories are used.

Never make adjustments to the factory set pressures.

Never exceed manufacturers maximum allowable pressure rating of attachments.

Do not allow any hoses to make contact with heat exchanger to prevent the possibility of bursting. Avoid dragging the hoses over abrasive surfaces such as cement.

Use only manufacturer recommended repair parts for your pressure washer.

Serious injury or death may occur if attempting to start the pressure washer when the unit pumping system is frozen.

In freezing temperatures, the unit must always be warm enough to ensure there is no ice formation in the pump. Do not start the pressure washer if it has been transported in an open or underheated vehicle without first allowing the unit pumping system to thaw.



RISK FROM MOVING PARTS

Serious injury may occur to the operator from moving parts on the pressure washer.

Never make adjustments to the unit while it is connected to the power source.

Do not operate the unit without all protective covers in place.

Follow the maintenance instructions specified in the manual.



RISK OF BODILY INJURY

Serious injury or death may occur from detergents contacting the skin.

SEEK EMERGENCY MEDICAL CARE if you are using cleaning agents and the spray appears to have penetrated the skin! DO NOT TREAT AS A SIMPLE CUT! Be prepared to tell a physician exactly what kind of detergents you were using by reading the Material Safety Data Sheet (MSDS) provided with your detergent.

Never use any solvents or highly corrosive detergents or acid type cleaners with this pressure washer.

Protective equipment such as rubber suits, gloves and respirators are advisable, especially when using cleaning detergents.

Keep all detergents out of the reach of children!

IMPORTANT SAFETY INSTRUCTIONS

Serious injury can occur from loose debris being propelled at a high speed from the spray gun.

ALWAYS wear protective goggles when operating the unit to shield the eyes from flying debris and detergents.

Injury may occur if the operator loses his balance caused by the thrust of water traveling through the spray nozzle.

Injury may occur from the pressure washer.

DO NOT direct spray toward fragile materials such as glass because shattering could occur.

This pressure washer is equipped with an Auto start/stop feature, the unit will shutdown until the gun is triggered. To prevent accidental high pressure discharge, do not leave unit unattended while in this mode.

Stay alert-watch what you are doing. Do not operate the unit when fatigued or under the influence of alcohol or drugs.

NEVER squeeze the trigger unless securely braced.

DO NOT overreach or stand on unstable support.

Wet surfaces can be slippery, wear protective foot gear and keep good footing and balance at all times.

NEVER trigger the gun while on a ladder or roof.

ALWAYS hold on firmly to the gun/lance assembly when starting and operating the unit. Failure to do so can cause the lance to fall and whip dangerously.

Know how to stop the pressure washer and bleed pressures quickly. Be thoroughly familiar with controls.

DO NOT leave pressurized unit unattended. Shut off the pressure washer and release trapped pressure before leaving.

DO NOT operate the unit if you see any fuel, oil or water leaks from the machine. **DO NOT** resume operation until the unit has been inspected and repaired by a qualified service person.

Place unit in a clean, dry, flat area for servicing. Before servicing the unit: turn the unit off, relieve the water pressure from the trigger gun, and allow the unit to cool down. Service in clean, dry, flat area. Engage the brake to prevent unit from moving.

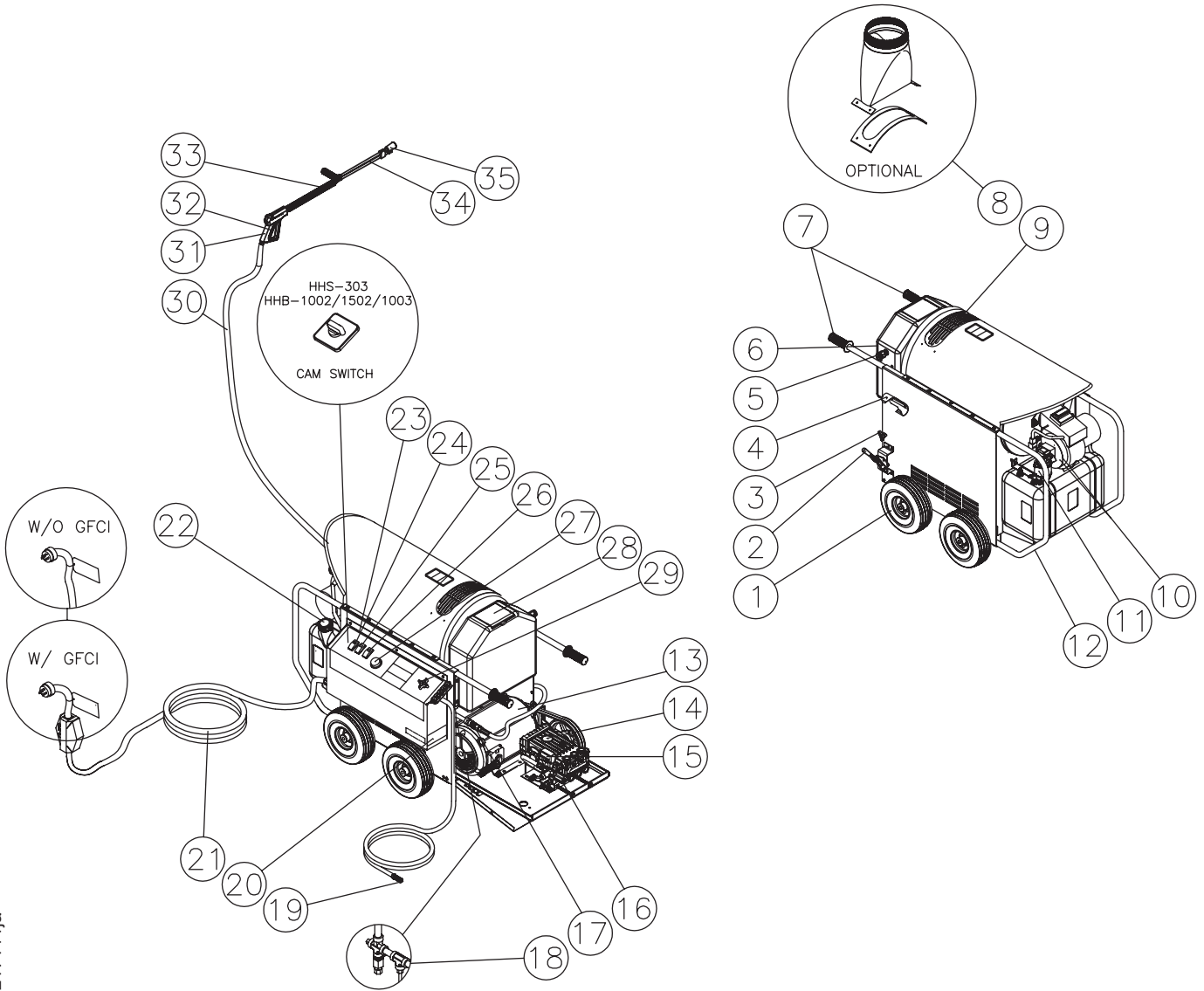
Do not move the unit by pulling on the hose.



!SAVE THESE INSTRUCTIONS!



HHS FEATURES



features hhs_hhb_021714 rja

FEATURES LISTING

1. Flat Free Wheels
2. Brake
3. Access Panel
4. Wand Holder
5. Water Inlet
6. Water Float Tank
7. Push/Pull Handle w/Rubber Grip
8. Stack Adapter Kit (Optional)
9. Heat Exchanger Exhaust
10. Burner Air Adjustment
11. Fuel Filter/Water Separator
12. Protective Cage for Fuel Tank & Burner
13. Pump Motor
14. High Pressure Pump
15. Pressure Switch-Burner Control
16. Unloader
17. Water Outlet
18. Safety Relief Valve
19. Detergent Strainer
20. Decal-Data Plate
21. Power Cord (w/GFCI on 1002/1003 & 2004-1E2G)
22. Burner Fuel Tank
23. Control Panel
24. Switch-Pump
25. Switch-Burner
26. Switch-Main
27. Adjustable Thermostat
28. Water Strainer
29. Detergent Metering Valve
30. High Pressure Hose
31. Trigger Gun
32. Trigger Safety Lock
33. Insulated Lance
34. Adjustable Pressure Dual Lance
35. High Pressure Nozzle

SPECIFIC UNIT INFORMATION

FRAME: Solid steel axles, push/pull handle with rubber grip.

PORTABILITY: Four pneumatic tires for easy mobility.

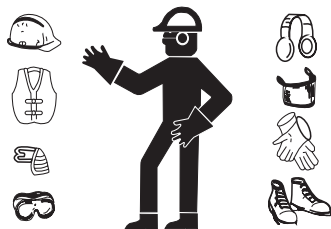
FINISH: Powder coated chassis with stainless steel heat exchanger.

HIGH PRESSURE HOSE: 3/8" x 50'.

TRIGGER GUN ASSEMBLY: Trigger controlled, safety lockoff, insulated lance.

DUAL LANCE: Insulated, with adjustable pressure.

INSTALLATION & PREPARATION



ATTIRE:

Proper attire is essential to your safety. It is advised to utilize whatever means necessary to protect eyes, ears, and skin. Additional safety attire (such as respiratory mask) may be required when using detergent cleaning agents with this washer.

SETUP:

⚠ DANGER RISK OF EXPLOSION OR FIRE! DO NOT PLACE UNIT IN AN AREA WHERE FLAMMABLE GAS VAPORS MAY BE PRESENT. A SPARK COULD CAUSE AN EXPLOSION OR FIRE!

⚠ RISK OF UNIT BURSTING! DO NOT STORE/OPERATE UNIT IN FREEZING ENVIRONMENTS!

1. This unit should only be placed on a level surface to ensure proper lubrication for the water pump while operating. NEVER spray water directly on the unit.
2. Do not use unit in an area:
 - a. with insufficient ventilation.
 - b. where there is a combustible ceiling, unless suitable stack venting is installed.
 - c. where there is evidence of oil or fuel leaks.
 - d. where flammable gas vapors may be present.
3. Be certain to engage the brake to prevent the unit from moving while operating. Allow sufficient clearances around unit for accessibility.
4. Do not allow the unit to be exposed to rain, snow or freezing temperatures. If any part of the unit becomes frozen, excessive pressure may build up in the unit which could cause it to burst resulting in possible serious injury to the operator or bystanders.
5. Pump oil level should be checked before each use. Make certain the oil is on the "Full" mark on the dipstick or in the center of the oil sight glass. If the level appears to be low, fill with SAE20 or 30 non-detergent pump oil.

OPTIONAL STACK ADAPTER – VENTILATION INSTRUCTIONS

⚠ WARNING RISK OF ASPHYXIATION! USE THIS PRODUCT ONLY IN WELL VENTILATED AREAS! THE EXHAUST CONTAINS CARBON MONOXIDE, A POISONOUS, ODORLESS AND INVISIBLE GAS. BREATHING THIS GAS CAN CAUSE SERIOUS INJURY, ILLNESS & POSSIBLE DEATH.

1. Installation of this unit, in an indoor or enclosed environment, should be performed by a qualified HVAC technician. Additionally, venting must conform to all local, state, and federal codes. Refer to NFPA 31 and CAN/CSA B139-M91, where applicable.
2. Exhaust gases must not be vented into a wall, a ceiling, or a concealed space of a building.
3. 8" flue pipe must be used to match the size of the stack adapter accessory. The flue pipe should be kept as short as possible and be installed so that it has a continuous rise to the chimney. Elbows must be kept to an absolute minimum to maintain the forced air draft in the system and ensure good burn quality.
4. If the unit is being installed in an enclosed room, an adequate air supply must be provided to burner by installing openings near the floor. These openings should be at least one square inch per 1000 BTU input of the machine. Also, a ventilation opening must be installed near the ceiling. This opening should be at least the same size as the supply opening near the floor. Refer to NFPA 31 and CAN/CSA B139-M91, where applicable.

INSTALLATION & PREPARATION

5. If the burner is located in a tightly constructed building where there is inadequate outside air infiltration, outside combustion air must be supplied by some other means. One method to accomplish this is through a permanent opening, or openings, in an exterior wall. The total free area of the opening(s) must not be less than one square inch per 5,000 BTU input. All appliances must be taken into consideration. Refer to NFPA 31 and CAN/CSA B139-M91, where applicable.

POWER CORD CONNECTION:

 **DANGER RISK OF ELECTROCUTION! THIS UNIT MUST BE CONNECTED TO A PROPERLY GROUNDED OUTLET. DO NOT USE AN ADAPTER OR REMOVE THE THIRD GROUNDING PRONG.**

1. Make certain both switch are in the "OFF" position.
2. Ensure electrical supply is identical to the specifications listed on the pressure washer data plate.
3. **GROUNDING INSTRUCTIONS:** This product must be grounded. If it should malfunction or breakdown, grounding provides a path of least resistance for electric current to reduce the risk of electric shock. This product is equipped with a cord having an equipment-grounding conductor. The plug must be plugged into an appropriate outlet that is properly installed and grounded in accordance with all local codes and ordinances.

 **WARNING RISK OF ELECTROCUTION! TO REDUCE THE RISK OF ELECTROCUTION, KEEP ALL CONNECTIONS DRY AND OFF THE GROUND. DO NOT TOUCH PLUG WITH WET HANDS.**

4. **DANGER:** Improper connection of the equipment-grounding conductor can result in a risk of electrocution. Check with a qualified electrician or service personnel if you are in doubt as to whether the outlet is properly grounded. Do not modify the plug - if it will not fit the outlet, have a proper outlet installed by a qualified electrician. Do not use any type of adaptor with this product.
5. **GROUND FAULT CIRCUIT INTERRUPTER PROTECTION:**
 - a. **SINGLE PHASE:** If this pressure washer is provided with a Class A Ground Fault Circuit Interrupter (GFCI) built into the plug or the power supply cord, test the GFCI each time it is plugged into an outlet according to instructions on the GFCI. **DO NOT** use the pressure washer if the test fails! The GFCI provides additional protection from the risk of electric shock. Should replacement of the plug or cord become necessary, use only identical replacement parts that include Class A GFCI protection.
 - b. **SINGLE PHASE:** If this pressure washer is not provided with a GFCI, this pressure washer should only be connected to a receptacle that is protected by a Class A Ground Fault Circuit Interrupter (GFCI) to comply with the National Electric Code (NFPA 70) and to provide additional protection from the risk of electric shock. This GFCI protection shall be part of the receptacle device or within the branch of circuit over current device supplying the receptacle.
 - c. **THREE PHASE:** These pressure washers are not provided with GFCI protection.
6. **EXTENSION CORDS: THE MANUFACTURER DOES NOT RECOMMEND THE USE OF EXTENSION CORDS!** If use of an extension cord is unavoidable, it must be plugged into a GFCI found in circuit boxes or protected receptacles. When using an extension cord, consult a qualified electrician to determine the proper wire gauge needed for the length of the extension cord.

SINGLE PHASE: Use only 3-wire extension cords that have 3-prong grounding-type plugs and 3-pole cord connectors that accept the plug from the product.

INSTALLATION & PREPARATION

THREE PHASE: Use only 4 wire extension cords that have 4-prong grounding type plugs and 4-pole cord connectors that accept the plug from the product.

Use only extension cords that are intended for outdoor use. These extension cords are identified by a marking "Acceptable for use with outdoor appliances; store indoors while not in use." Use only extension cords having an electrical rating not less than the rating of the product. Do not use damaged extension cords. Examine extension cord before using and replace if damaged. Do not abuse extension cord and do not pull on any cord to disconnect. Keep cord away from heat and sharp edges. Always connect or disconnect the extension cord from the receptacle before connecting or disconnecting the product from the extension cord.

7. Ensure the area between the pressure washer cord and outlet is kept dry.
8. Insert the male plug into a grounded AC outlet. **DO NOT** use an adapter **OR** remove the grounding plug!!

BURNER FUEL TANK:

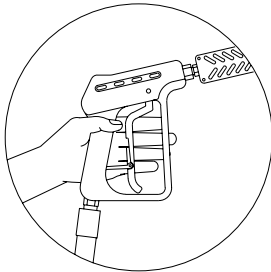
⚠ WARNING RISK OF EXPLOSION OR FIRE! ALWAYS STORE FUEL AWAY FROM THE WASHER WHILE THE UNIT IS RUNNING OR HOT.

1. Review "Risk of Explosion or Fire", before fueling.
2. Locate the Safety Decals on your unit and heed their warnings.
3. Fill the burner fuel tank with good quality, clean No. 1 or No. 2 fuel oil/diesel or kerosene. Do not use gasoline!

⚠ DANGER RISK OF FIRE! -DO NOT SMOKE WHILE FUELING! -DO NOT FILL THE FUEL TANK WHILE UNIT IS RUNNING OR HOT. ALLOW UNIT TO COOL FOR TWO MINUTES BEFORE REFUELING. -DO NOT FILL FUEL TANK TO POINT OF OVERFLOWING.

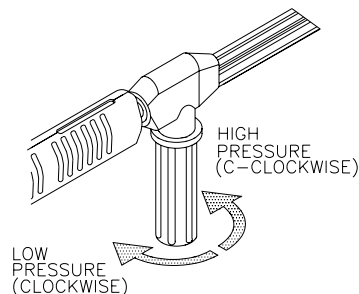
ADJUSTABLE PRESSURE DUAL LANCE:

⚠ WARNING RISK OF INJECTION CAUSING SEVERE INJURY! -THE TRIGGER GUN SHOULD ALWAYS BE LOCKED IN THE OFF POSITION WHEN NOT IN USE! -NEVER LOOK DIRECTLY AT THE NOZZLE UNLESS IT IS DISCONNECTED FROM THE TRIGGER GUN/DUAL LANCE ASSEMBLY!



This unit features an Adjustable Pressure Dual Lance which allows the user to select a high or low pressure "fan" spray. Simply rotate the adjustable grip on the dual lance to achieve the desired pressure selection.

1. Selection of high pressure can be achieved by turning the adjustable grip on the Dual Lance assembly counterclockwise as shown in the figure below.



2. Selection of low pressure can be achieved by turning the adjustable grip on the Dual Lance clockwise as shown in the figure below.

DUAL LANCE CONNECTION:

1. Be certain the trigger gun is locked in the "OFF" position.

INSTALLATION & PREPARATION

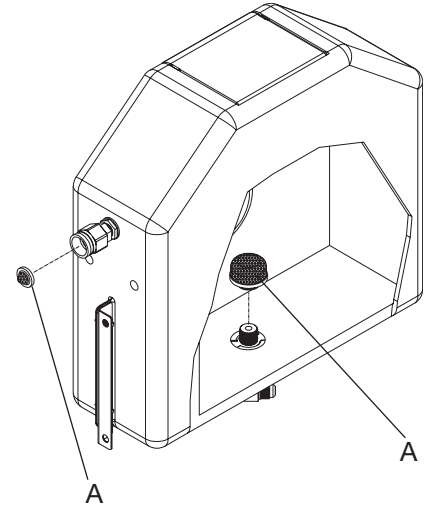
2. Connect the dual lance assembly to the trigger gun assembly at this time (if applicable). Be certain the connection is securely tightened.

WATER SUPPLY:

1. Select a water supply hose which is a quality grade of garden hose measuring at least 3/4" ID and no longer than 50 feet.
2. Ensure the water strainers (A) are clean and free of any obstructions. Periodic cleaning of the water strainer will help prevent pump problems. As a strainer becomes obstructed, it restricts proper flow of water to the pump. This can result in cavitation which will cause premature failure of pump packings. Remove strainer screens (A), clean or replace.
3. Connect one end of the water supply hose to the water inlet of the unit. Connect the other end of the hose to your pressurized water supply.

NOTE: If there is a high mineral content in your water, it is recommended that a water softener be used to prevent the possibility of excessive scale build up inside the heat exchanger coil.

4. Follow the incoming water requirements listed below:
 - a. Water pressure must be between a minimum of 20 pounds per square inch (PSI) and a maximum of 125 PSI.
 - b. Incoming GPM must be approximately one gallon more than the outgoing GPM stated on the pressure washer nameplate. (You can check GPM by timing how long it takes to fill a 5 gallon container.)
 - c. Incoming water temperature must not exceed 125°F. Excessive pump damage may result if the water temperature exceeds this acceptable level.
5. Never allow the unit to operate without the incoming water line attached and the water supply completely turned on.



UNLOADER:

The unloader has been preset at the factory.

THERMAL RELIEF VALVE:

To ensure the water temperature does not exceed acceptable levels, never allow the pressure washer to operate in the bypass mode (with the unit running and the trigger closed) for more than five minutes.

A "thermal relief valve" has been added to this unit to protect the pump. This valve will open and release water if the water temperature in the pump has exceeded 140° F. This will allow fresh, cool water to enter the system, therefore preventing premature failure of pump packings.

PRE-START INSPECTION PROCEDURES:

Before starting the unit, perform the following procedures:

1. Inspect the electrical cords for cuts. If a cut is found, DO NOT TOUCH OR USE CORD! Replace cord before starting unit.
2. Check the oil level in the pump.
3. Inspect the water inlet strainer. Clean or replace if necessary. See "Water Supply", #2.
4. Check all hose connections to ensure they are securely tightened.
5. Inspect for system water leaks, oil leaks and fuel leaks. If a fuel leak is found, DO NOT START UNIT! See "Risk of Explosion or Fire". Be sure that all damaged parts are replaced and that the mechanical problems are corrected prior to operation of the unit. If you require service, contact Customer Service.
6. Inspect high pressure hoses for kinking, cuts and leaks. If a cut or leak is found, DO NOT USE HOSE! Replace hose before starting unit. See "Risk of Injection or Severe Cutting Injury". Be sure that all damaged parts are replaced and that the mechanical problems are corrected prior to operation of the unit. If you require service, contact Customer Service.

 **WARNING** 

THE FOLLOWING PAGES CONTAIN OPERATING AND MAINTENANCE INSTRUCTIONS.

DO NOT ATTEMPT TO OPERATE THIS PRESSURE WASHER UNTIL YOU HAVE READ AND UNDERSTOOD ALL SAFETY PRECAUTIONS AND INSTRUCTIONS LISTED IN THIS MANUAL.

INCORRECT OPERATION OF THIS UNIT CAN CAUSE SERIOUS INJURY!!

DO NOT ALTER OR MODIFY THIS EQUIPMENT IN ANY MANNER!

OPERATING INSTRUCTIONS

FLUSHING THE SYSTEM:



CAUTION RISK OF UNIT DAMAGE. BE CERTAIN THE HOSE, GUN & DUAL LANCE ASSY. ARE NOT CONNECTED TO THE UNIT WHILE FLUSHING THE SYSTEM. FLUSHING ALLOWS MINERAL DEPOSITS TO BE RELEASED FROM THE SYSTEM WHICH WOULD OBSTRUCT OR DAMAGE THE GUN AND NOZZLE ASSEMBLY RESULTING IN COSTLY REPAIRS.

This unit has a steel coil which, after setting, will cause the water remaining in the coil from the previous usage to turn brown or black. This water must be flushed from the system before start-up. This procedure should be performed without the high pressure hose, gun and dual lance assembly installed.

1. Turn on the water supply.
2. Move the pump switch to the "ON" position. Low pressure water will begin flowing from the water outlet. This allows the unit to flush any particles from the system. The unit is flushed when the water is clear.
3. Once the system is flushed, move the pump switch to the "OFF" position and connect the high pressure hose to the water outlet of the unit.
4. Connect the trigger gun and dual lance assembly to the high pressure hose.

START-UP/COLD WATER OPERATION:

1. Refer to the "Safety Warnings" before starting the unit.
2. Locate the Safety Decals on your unit and heed their warnings.
3. Ensure that the switch is in the "OFF" position.
4. Pointing the trigger gun in a safe direction, unlock the trigger gun and squeeze the trigger. Brace yourself for possible gun kickback when the pump starts.
5. Move power switch to the "ON" position.
6. Move the pump switch to the "ON" position.
7. Once the unit has started, perform the following procedures with the gun open:
 - a. Inspect for system water leaks, oil leaks and fuel leaks. If a leak is found, TURN UNIT OFF IMMEDIATELY! Be sure that all damaged parts are replaced and that the mechanical problems are corrected prior to operation of the unit. If you require service, contact Customer Service.
 - b. Inspect high pressure hoses for kinking, cuts and leaks. If a cut or leak is found, DO NOT TOUCH HOSE AT LEAK!!! TURN UNIT OFF IMMEDIATELY! Replace hose before starting the unit. See "Risk of Injection or Severe Cutting Injury". Be sure that all damaged parts are replaced and that the mechanical problems are corrected prior to operation of the unit. If you require service, contact Customer Service.
8. At this point, the unit is operating as a cold water pressure washer. Trigger the gun several times and try adjusting the water pressure by rotating the grip on the dual lance. NEVER place hand or fingers in front of the nozzle or look directly into the nozzle! High pressure water creates a risk of severe injury!



DANGER RISK OF INJECTION CAUSING SEVERE INJURY! -KEEP CLEAR OF NOZZLE! NEVER PLACE HAND OR FINGERS IN FRONT OF NOZZLE! -DO NOT DIRECT DISCHARGE STREAM AT PEOPLE OR PETS! -THIS PRODUCT IS TO BE USED ONLY BY TRAINED OPERATORS. -AUTO START/STOP FEATURE WILL SHUTDOWN THE PRESSURE WASHER UNTIL GUN IS TRIGGERED. TO PREVENT ACCIDENTAL HIGH PRESSURE DISCHARGE, DO NOT LEAVE UNIT UNATTENDED WHILE IN THIS MODE.

OPERATING INSTRUCTIONS

9. Do not allow unit to operate in bypass mode (with trigger closed) for more than five minutes without triggering the gun. Failure to follow this simple rule can cause premature failure of pump packings, resulting in costly pump repair.

 **CAUTION RISK OF DAMAGE. DO NOT ALLOW SPRAY PATTERN TO REMAIN ON A FIXED AREA FOR AN EXTENDED PERIOD OF TIME. POSSIBLE DAMAGE MAY OCCUR TO THE AREA.**

NOTE: This unit may be equipped with an Auto Start/Stop feature, the pressure washer will shutdown if the gun is not triggered after a designated amount of time. The pressure washer will start again once the gun is triggered. The Auto Start/Stop feature is preset at the factory for shutdown at 90 seconds. It can be adjusted by an Authorized Service Technician to shutdown from no usage after a minimum of 3 seconds to a maximum of 5 minutes.

10. Your pressure washer can deliver high pressure spray and a variety of spray patterns using cold water. If you wish to use the Hot Water, Steam application or Cleaning with Detergents, observe the following procedures.

HOT WATER OPERATION:

 **WARNING RISK OF BURN! THE WATER TEMPERATURE COULD BECOME VERY HOT DURING HOT WATER/STEAM OPERATION. BE CAUTIOUS WHEN ADJUSTING PRESSURE OR CONTROLLING THE TRIGGER GUN/DUAL LANCE ASSEMBLY.**

1. Follow the steps 1-9 outlined for Start-up / Cold Water Operation.
2. Move the burner switch to the "ON" position and the adjustable thermostat clockwise to the desired setting.
3. Recheck the system for fuel leaks. If a fuel leak is found, TURN UNIT OFF IMMEDIATELY! See "Risk of Explosion or Fire".

Note: Upon initial start-up, water will begin turning hot in approximately 20 seconds and will reach maximum temperature in approximately 2-1/2 minutes providing the trigger remains squeezed. The burner will not fire when the trigger is released.

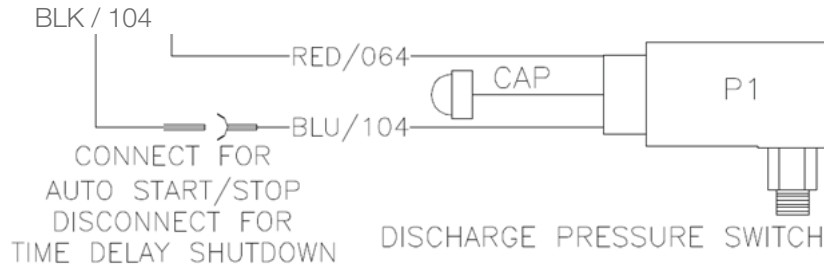
At this point, the unit will operate as a hot water pressure washer. Be extremely cautious when adjusting the pressure and controlling the trigger gun/dual lance assembly to avoid the possibility of burns.

OPERATING INSTRUCTIONS

TIME DELAY SHUTDOWN OR AUTO START/STOP CHOICE (HHS ONLY):

This unit is equipped with Time Delay Shutdown and Auto Start/Stop. To switch between Auto Start/Stop and Time Delay Shutdown, see below.

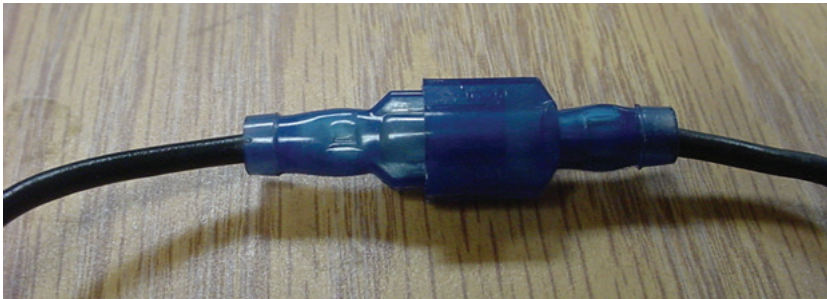
From Wiring Diagram



Time Delay Shutdown



Auto Start/Stop



OPTIONAL STEAM OPERATION (HHS ONLY):

250° STEAM OPTION (HX-0172, HX-0174 AND HX-0176):

1. Install Steam Nozzle.
2. Follow steps 1-9 of Start-up / Cold-Water Operation.
3. Recheck the system for water leaks and fuel leaks. If a leak is found, TURN UNIT OFF IMMEDIATELY!
4. Turn adjustable thermostat clockwise to maximum setting. If a lower thermostat setting is desired, it is normal for the burner to cycle (fire intermittently) while spraying. (Note: Adjustable thermostat is a high limit device and does not regulate temperature.)

Note: Upon initial start-up, water will begin turning hot in approximately 20 seconds and will reach steam temperature in approximately 5 minutes providing the trigger remains squeezed. The burner will not fire when the trigger is released.

OPERATING INSTRUCTIONS

At this point, the unit will operate as a steam pressure washer. Be extremely cautious when adjusting the pressure and controlling the trigger gun/dual lance assembly to avoid the possibility of burns.

HHB-303-0E1A MACHINES ONLY -- NOT CSA APPROVED MACHINE!! --

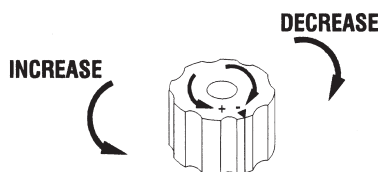
STEAM OPERATION:

1. Follow steps 1-7 of Start-up / Cold-Water Operation.
2. Move switch to burner position.
3. Recheck the system for water leaks and fuel leaks. If a leak is found, TURN UNIT OFF IMMEDIATELY! See "Risk of Explosion or Fire")

Note: Upon initial start-up, water will begin turning hot in approximately 20 seconds and will reach steam temperature in approximately 5 minutes providing the trigger remains squeezed. The burner will not fire when the trigger is released.

At this point, the unit will operate as a steam pressure washer. Be extremely cautious when adjusting the pressure and controlling the trigger gun/dual lance assembly to avoid the possibility of burns.

CLEANING WITH DETERGENTS:



NOTE: This feature is designed for use with mild detergents only. Since the cleaning solution travels through various parts of the pressure washer, do not use corrosives as they will cause extensive damage as well as pose a considerable safety hazard.

1. Refer to "Risk of Bodily Injury/Detergents". Be certain to wear protective safety attire.
2. Prepare detergent solution according to label directions. (Never pump acids, alkalines, abrasive fluids or solvents through the unit. Due to the unknown and often corrosive characteristics of many detergents commonly used in the pressure washer cleaning industry, it is recommended to use only mild detergents with this unit.)
3. Fully immerse the strainer end of the clear vinyl detergent hose into the detergent solution.
4. Adjust the amount of detergent desired by turning the detergent metering valve [shown at right] completely counterclockwise to set at maximum siphon rate.
5. To apply solution; unlock the trigger gun and squeeze the trigger. In a few moments a detergent/water mixture will exit the nozzle. Start spraying the lower portion of the surface being cleaned and move up, using long overlapping strokes. Applying from the bottom up helps avoid streaking. Allow to soak briefly. Avoid working on hot surfaces or in direct sunlight to minimize the chances of the detergent drying, which may result in damaging surfaces. Be certain to apply cleaning solution to a small section at a time.
6. To rinse; lock the trigger gun in the "OFF" position. Turn the detergent metering valve to the "OFF" position. Unlock the trigger gun and spray. It will take about 30 seconds to purge all detergent from the line. For best rinsing results, start at the top and work down.
7. Siphon a gallon of water through the detergent injection system after each use. This prevents the possibility of corrosion or detergent residue causing mechanical problems during the next use.

SHUTDOWN:

1. Move the burner switch to the "OFF" position. Pump will remain on.
2. Squeeze the trigger and discharge the water for a period of three minutes to cool the heat exchanger and high pressure hose. (Insufficient cool down

OPERATING INSTRUCTIONS

period of the high pressure hose will cause excessive wear and eventual rupturing of the hose.)



DANGER RISK OF INJECTION CAUSING SEVERE INJURY! -AUTO START/STOP FEATURE WILL SHUTDOWN THE PRESSURE WASHER UNTIL THE GUN IS TRIGGERED. TOTAL SHUTDOWN REQUIRES ALL THE SWITCHES TO BE MOVED TO THE OFF POSITION. -TO PREVENT ACCIDENTAL HIGH PRESSURE DISCHARGE, DO NOT LEAVE UNIT UNATTENDED UNTIL ALL THE SWITCHES ARE IN THE OFF POSITION.

3. Move the switch to the "OFF" position. (Auto Start/Stop Option will shut the unit down, but total shutdown requires switch to be moved to the "OFF" position.)
4. Move power switch to "OFF" position for complete shutdown.
5. Turn off the water supply and trigger the gun momentarily to relieve trapped pressure.
6. Disconnect and drain the high pressure hose, gun, and dual lance. Wipe the unit clean store in a non-freezing environment.

OPTIONS (HHS ONLY):

STEAM - 250°F (HX-0172/HX-0174/HX-0176):

The 250°F steam option provides wet steam output from the unit. Using the included steam nozzle, 250°F steam is obtained. The sizing of the steam nozzle is critical to proper operation of the option.

STORAGE & MAINTENANCE

MAINTENANCE CHART

PROCEDURE	DAILY	3 MONTHS	6 MONTHS	9 MONTHS	12 MONTHS
Inspect electrical cord	X				
Test GFCI (according to instructions on GFCI).	X				
Check water pump oil level	X				
Oil leak visual inspection	X				
Fuel leak visual inspection	X				
Water leak visual inspection	X				
Hose visual inspection	X				
Water strainer inspection	X				
High pressure nozzle inspection	X				
Fuel filter/water sep. inspection	X				
Change water pump oil **		X	X	X	X
Replace high pressure nozzle***		X	X	X	X
Inspect belt		X	X	X	X
Check burner air adjustment		X	X	X	X
Test water pressure*		X	X	X	X
Test water temperature*		X	X	X	X
Replace fuel filter			X		X
Test fuel pressure*					X
Delime coil****					X
Test voltage and amp draw*					X
Inspect fuel pump filter*					X
Check burner electrodes*					X
Replace fuel nozzle*					X

* Should be performed by an authorized service technician.

** The pump oil must be changed after the first 50 hours of operation and every 500 hours or 3 months, whichever comes first.

*** High pressure nozzle should be replaced whenever pressure is less than 85%.

**** Scale build up will vary with mineral content in the water and amount of usage. Deliming can range from weekly to yearly maintenance.

STORAGE & MAINTENANCE

MAINTENANCE-DAILY:

INSPECT ELECTRICAL CORD: Detach unit from power source and inspect electrical cords to ensure they are free of cuts. If a cut is found, replace cord before operating unit.

TEST GFCI: If applicable, test the GFCI. Testing varies according to the specific GFCI. Follow the instructions given on the GFCI for correct procedures.

CHECK WATER PUMP OIL LEVEL: Make certain the oil is on the "FULL" mark on the dipstick or in the center of the oil sight glass. If the oil appears to be low, fill with SAE20 or 30 non-detergent pump oil.

OIL LEAK INSPECTION: If a leak is found, promptly eliminate any leaks found in the pumping system. Be sure that all damaged parts are replaced and that the mechanical problems are corrected prior to operation of the unit. If you require service, contact Customer Service.

FUEL LEAK INSPECTION: If a fuel leak is found, turn unit off immediately! See "Risk of Explosion or Fire". Be sure that all damaged parts are replaced and that the mechanical problems are corrected prior to operation of the unit. If you require service, contact Customer Service.

WATER LEAK INSPECTION: If a leak is found, promptly eliminate any leaks found in the pumping system by removing suspect parts, applying thread sealant to the threads and reinstalling. If using teflon tape, be certain no tape gets inside any plumbing to prevent the possibility of a plugged spray nozzle. Be sure that all damaged parts are replaced and that the mechanical problems are corrected prior to operation of the unit. If you require service, contact Customer Service.

HOSE INSPECTION: Inspect high pressure hoses for kinking, cuts and leaks. If a cut or leak is found, **DO NOT USE HOSE!** Replace hose before starting unit. See "Risk of Injection or Severe Cutting Injury". Be sure that all damaged parts are replaced and that the mechanical problems are corrected prior to operation of the unit. If you require service, contact Customer Service.

WATER STRAINER INSPECTION: Ensure the water strainers (A) are clean and free of any obstructions. Periodic cleaning of the water strainer will help prevent pump problems. As a strainer becomes obstructed, it restricts proper flow of water to the pump. This can result in cavitation which will cause premature failure of pump packings. Remove strainer screens (A), clean or replace.

QUICK COUPLERS INSPECTION: There are o-ring seals inside the couplers which will deteriorate. To replace, simply install a replacement o-ring to correct the leak. (Additional o-rings can be purchased from your dealer.)

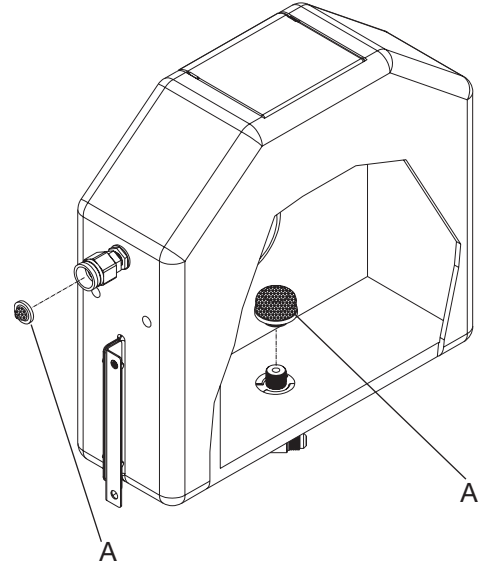
HIGH PRESSURE NOZZLE: Inspect high pressure nozzle for wear or obstructions. Clean or replace if necessary.

FUEL FILTER/WATER SEPARATOR: Inspect bowl on fuel filter/water separator for water accumulation. If water exists, unscrew drain valve on bowl to drain water, then close.

MAINTENANCE-EVERY 3 MONTHS:

CHANGE WATER PUMP OIL: Ensure unit is off and unplugged. Change the pump oil after the first 50 hours of operation. After initial change, every 3 months or 500 hour intervals are recommended. If oil appears dirty or milky, changes may be required in greater frequency. Use SAE20 or 30 non-detergent pump oil and fill only to the center of the oil sight glass. **DO NOT** overfill.

REPLACE HIGH PRESSURE NOZZLE: Water flow through the spray nozzle will erode the orifice, making it larger, resulting in a pressure loss. Nozzles



STORAGE & MAINTENANCE

should be replaced whenever pressure is less than 85% of the maximum. The frequency of replacement will depend upon such variables as mineral content in the water and number of hours the nozzle is used.

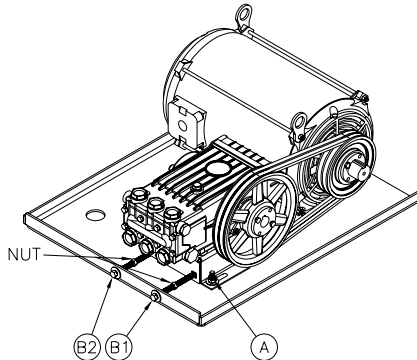
BELT INSPECTION: Ensure unit is off and unplugged. Open the access panel by unscrewing the two side knobs that secure the panel in place. Slide the motor/pump assembly out. Inspect the v-belt for wear and tightness. If the v-belt needs to be replaced or tightened, follow the procedures listed below.

Replacement:

1. Loosen the four pump mounting bolts (A).
2. Loosen the two alignment nuts approximately one inch on the alignment bolts (B1 & B2).
3. Slide the pump toward the motor to loosen belts.
4. Remove and replace belt.

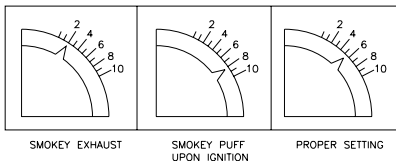
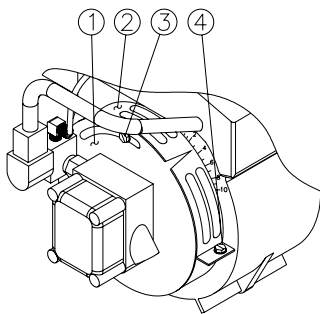
Tighten: (If v-belt was not replaced, you will need to loosen the nuts on the alignment bolts B1 and B2 before proceeding.)

1. Tighten B2 alignment bolt. The pump will shift to the left until there is tension on the belt. Then tighten B2 nut.
2. Tighten B1 alignment bolt, until sheaves are straight. (Use a straightedge for alignment.)
3. Push on the v-belt to check belt deflection for tension. There should be 1/4" to 1/2" deflection for correct tension.
4. If sheaves are straight and tension is correct, tighten B1 nut and the four pump mounting bolts (A).
5. If tension is not correct, repeat steps 6 and 7 until correct alignment and tension is achieved. Tighten the four mounting bolts (A) when completed.
6. Loosen B2 nut, tighten B2 bolt, tighten B2 nut.
7. Loosen B1 nut, tighten B1 bolt, tighten B1 nut.



BURNER AIR ADJUSTMENT: The air shutter has been factory preset for proper operation between sea level and 2000 feet elevation at standard conditions (60°F ambient water and air temperatures). In colder temperatures or higher altitudes, it may be necessary to adjust the air supply to the combustion chamber. This adjustment will maximize burner efficiency and avoid inefficient operation or excessive sooting of the heat exchanger coil. A smoke spot test is recommended during any air shutter and band adjustment. If you do not have the equipment to perform a smoke spot test, follow the procedures listed below.

1. The machine must be running and the burner ON.
2. Loosen the Locking Screw (#3 at left) on the shutter.
3. Check for smoke from the heat exchanger exhaust. If smoke is not present, slowly close the Air Shutter (#1 at left) by moving the dial counterclockwise to a lower number. Continue moving the dial until smoke appears.
4. Record this setting.
5. Open Air Shutter (#1 at left) two increments. Example: If Air Shutter was set at 2, move it to 4.
6. Slowly trigger the gun on and off. This will cause the burner to turn on and off. Look for a smoke puff when the burner ignites.
7. Repeat steps 5 and 6 until a smoke puff is noticed. Record the Air Shutter Setting.
8. The difference between the recorded settings in steps 4 and 7 is the combustion window. Set the dial 1/2 way between these settings.



STORAGE & MAINTENANCE

NOTE: If you are unable to detect a setting on either step 3 or 7, more or less air may be needed to achieve a proper combustion window. Loosen the Bolt (#4 at left) and open the Air Band (#2 at left) in 1/4" increments. Repeat steps 3-8 until proper combustion window is achieved.

TEST WATER & FUEL PRESSURE: These procedures should be performed by an authorized service technician.

TEST WATER TEMPERATURE: This procedure should be performed by an authorized service technician.

MAINTENANCE-EVERY 6 MONTHS:

REPLACE FUEL FILTER: Follow the instructions specified on the fuel filter for correct procedures.

MAINTENANCE-EVERY 12 MONTHS:

DELIME COIL: A loss in pressure may signify that the coil needs to be delimed. Do this procedure on a periodic basis.

1. Mix non-caustic deliming powder/solution in float tank according to package directions.
2. Remove the nozzle from the wand. Place a nylon stocking over the wand assembly to collect debris, then place the wand assembly into the float tank.
3. Turn the switch to the "Pump" position. Water will circulate throughout the system and back into the float tank. Allow circulation to continue for 2-4 hours.
4. Turn the switch to the "Off" position. Drain and clean the float tank. Remove nylon stocking and clean wand assembly.
5. Flush the entire system with clean, fresh water, then replace nozzle into wand assembly.
6. Dispose of deliming solution according to local, state and national regulations.

TEST VOLTAGE & AMP DRAW: Use a volt meter and amp meter to test the machine for correct voltage and amperage. If you do not have these instruments or do not know how to use them, this procedure should be performed by an authorized service technician.

INSPECT FUEL PUMP INTERNAL FILTER: This procedure should be performed by an authorized service technician.

CHECK BURNER ELECTRODES: This procedure should be performed by an authorized service technician.

REPLACE FUEL NOZZLE: This procedure should be performed by an authorized service technician.

CLEAN FUEL PICKUP INLET SCREEN: This procedure should be performed by an authorized service technician.

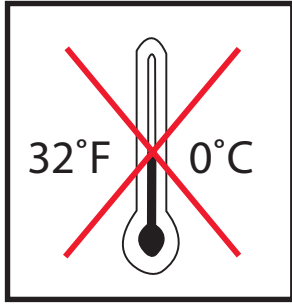
MAINTENANCE-SEASONAL:

WINTERIZING: For storage and transportation purposes in subfreezing ambient temperatures, it will be necessary to winterize this unit. This unit must be protected to the lowest incurred temperature for the following reasons:

1. If any part of the pumping system becomes frozen; excessive pressure may build up in the unit which could cause the unit to burst resulting in possible serious injury to the operator or bystanders.
2. The pumping system in this unit may be permanently damaged if frozen.
FREEZE DAMAGE IS NOT COVERED BY WARRANTY.

If you must store your unit in an area where the temperature may fall below 32°F, you can protect your unit by following one of the procedures listed below.

STORAGE & MAINTENANCE



⚠ WARNING RISK OF UNIT BURSTING. DO NOT STORE / OPERATE UNIT IN A FREEZING ENVIRONMENT!

AIR BLOWOUT:

1. Remove the nozzle from the wand assembly. Squeeze the trigger until water ceases to exit the wand assembly.
2. Connect an air fitting from an air hose to the strainer fitting in the float tank.
3. Run compressed air into the system to remove all water from the system.

ANTIFREEZE SOLUTION:

1. Pour a 50/50 mixture of antifreeze and water into the float tank.
2. Place the detergent strainer into 100% antifreeze solution
3. Turn the switch to the "Pump" position. Allow antifreeze to siphon throughout the system until antifreeze solution exits the outlet. (To ensure the coil is winterized, antifreeze solution must exit the outlet. Add more 50/50 mixture to the float tank if necessary.)

TROUBLESHOOTING

SYMPTOM	PROBABLE CAUSE	REMEDY
Pump motor will not run.	Circuit overload.	Check wall breaker or fuse.
	GFCI tripped.	Reset.
	Motor overload.	Reset thermal overload button on pump motor or inside electrical control panel.
	Auto Start/Stop in use.	Point gun in a safe direction and squeeze trigger.
No discharge at nozzle when trigger mechanism is squeezed.	Inadequate water supply.	Ensure hose is 3/4" diameter and incoming water supply is turned on.
Low or fluctuating pressure.	Kink in water inlet hose.	Remove kink.
	Kink in high pressure discharge hose.	Replace kinked high pressure hose.
	Water inlet screen obstructed.	Remove screens, clean or replace. See Water Supply.
	Pump sucking air. (Prime eliminated)	Tighten all water intake connections Eliminate leaks in intake line.
	Adjustable Grip on Dual Lance is not in high pressure mode.	Turn grip counterclockwise to move to high pressure.
	Obstructed or worn spray nozzle.	Remove, clean or replace.
	Damaged or obstructed valve assy. on pump.	Remove, clean or replace.*
	Unloader/Bypass valve not operating correctly.	Repair or replace.*
	Scale build up in heat exchanger coil.	Delime coil as explained in manual.
Water is leaking from Thermal Relief Valve.	Water inlet temperature is too high.	Incoming water temperature must be less than 125°.
	Water temperature is too high.	Do not allow unit to operate in bypass mode (with the trigger gun closed) for more than five minutes.
	Defective valve.	Replace.*
Oil appears milky or foamy.	Water in oil.	Change pump oil. Fill to proper level.
Oil leaking from unit.	Worn seals or o-rings.	Contact Customer Service.
Detergent will not siphon .	Detergent strainer is not completely submerged in detergent solution.	Check, submerge if necessary.
	Detergent strainer obstructed.	Inspect, clean or replace.
	Detergent hose cut, obstructed or kinked.	Inspect, clean or replace.
	Detergent adjusting knob turned to closed position.	Open adjusting knob. Refer to "Cleaning with Detergents".
	Nozzle assembly is plugged.	Clean or replace.
	Ball & Spring in detergent strainer stuck	Remove, clean or replace.

TROUBLESHOOTING

SYMPTOM	PROBABLE CAUSE	REMEDY
Water flows back into detergent container.	Check valve in detergent strainer missing or corroded.	Remove, clean or replace.
Water flows from the nozzle when the trigger gun is locked in the "OFF" position.	Trigger gun is malfunctioning.	Repair or replace.*
Water is leaking under the unit.	Safety Relief device is relieving caused by an unloader or pressure switch malfunction.	1. Detect and correct unloader or pressure switch problem. 2. Replace safety relief device. NEVER run unit without safety device. Doing so can cause an explosion!*
Burner will not ignite.	Switch is defective.	Check switch position or replace.
	Adjustable Thermostat is defective or in the "Off" position.	Check switch position or replace.
	No voltage.	Contact Customer Service.
	Out of fuel.	Refuel.
	Fuel tank inlet tube screen obstructed.	Remove, clean or replace tube.*
	Trigger gun is closed.	Open trigger gun for pressure.
	Pressure switch override.	Pressure should be over 250 PSI/ 15 Bar to allow burner to come on.(Pressure should be checked by an authorized service technician.)
	Fuel pickup screen is obstructed.	Contact Customer Service.
	Temperature above thermostat setting.	Unit will automatically reignite when cool.
	High limit switch override.	Unit will automatically reignite when cool.
	Flexible coupler broken.	Replace.*
	Dirty or clogged fuel filter.	Drain or replace as necessary.*
	Fuel pump sucking air.	Tighten all fuel intake connections. Eliminate leaks in intake line.
	Fuel pump inoperative.	Check pressure, replace if needed. (Pressure should be checked by an authorized service technician.)
	Dirty or clogged fuel nozzle.	Replace.*
	Improper burner air adjustment.	Adjust as explained in manual.
	Ignition transformer failure.	Replace.*
	Ignition electrodes not set properly, damaged or worn.	Contact Customer Service.
Fuel solenoid valve failure.	Replace.*	
High PSI mode.	Verify burner switch is in the "ON" position.	
Burner motor will not run.	Switch is defective position.	Check switch position or replace.
	No voltage.	Contact Customer Service.
	Motor overload.	Reset when cool.
	Fuel pump seized.	Allow motor to cool. Repair or replace.*

TROUBLESHOOTING

SYMPTOM	PROBABLE CAUSE	REMEDY
Burner runs erratically.	Water in the fuel oil.	Drain fuel filter/water separator. Drain fuel tank, and replace with clean fuel.
	Dirty fuel filter/water separator.	Replace element.
	Fuel pickup screen is obstructed.	Contact Customer Service.
	Dirty fuel nozzle.	Replace.*
	Improper air adjustment setting.	Adjust as explained in manual.
	Fuel pump malfunctioning.	Replace.*
Burner runs, but will not heat.	Low fuel pump pressure.	Check fuel pump pressure, adjust or replace if needed. (Pressure should be checked by an authorized service technician.)
	Dirty fuel nozzle.	Replace.*
	Improper air adjustment setting.	Adjust as explained in manual.
Burner discharges white smoke.	Low on fuel.	Refuel. If white smoke persists, contact Customer Service.
	Low fuel pressure.	Check fuel pump pressure, adjust or replace if needed. (Pressure should be checked by an authorized service technician.)
	Fuel pickup screen is obstructed.	Contact Customer Service.
	Dirty fuel nozzle.	Replace.*
	Improper air adjustment setting.	Adjust as explained in manual.
	Cold combustion chamber start-up.	Run burner for several minutes.
	Excessive air supply.	Adjust as explained in manual.
Burner discharges black smoke.	Insufficient air supply.	Adjust as explained in manual.
	Fuel nozzle orifice is too large.	Replace with correct nozzle.
	Fuel pressure is too high.	Contact Customer Service.
	Combustion chamber loaded with unburned fuel.	Contact Customer Service.



STATEMENT OF WARRANTY

The manufacturer warrants all parts, (except those referred to below), of your new HHS-Series pressure washer to be free from defects in materials and workmanship during the following periods:

For Lifetime against freezing and cracking:

Pump Manifold

For Ten (10) Years from the date of original purchase:

High Pressure Pump (General Pump Only)

For Seven (7) Years from the date of original purchase:

High Pressure Pump (AR Pump Only)

For Five (5) Years from the date of original purchase:

Heat Exchanger Coil

For Two (2) Years from the date of original purchase:

Frame	Plumbing
Guard or Shields	Pulleys

For One (1) Year from the date of original purchase:

Control Switches	GFCI Cord
Starter Contactor	Overload

For Six (6) months from the date of original purchase:

Ignition Transformer	Burner Motor
----------------------	--------------

For Ninety (90) days from the date of original purchase:

Regulating Valve	Electrodes	
Safety Switches	Fuel solenoid	Fuel Pump

For Thirty (30) days from the date of original purchase:

High Pressure Hose	Trigger Gun
Strainers / Filters	Dual Lance

Defective parts not subject to normal wear and tear will be repaired or replaced at our option during the warranty period. In any event, reimbursement is limited to the purchase price paid.

exclusions

1. The motor is covered under separate warranty by its respective manufacturer and is subject to the terms set forth therein.
2. Normal wear parts:

Pump Packings	Spray Nozzles	Pump Valves
Detergent Valves	Fuel Filters	Quick Couplers
3. This warranty does not cover parts damaged due to normal wear, misapplication, misuse, operation at other than recommended speeds, pressures or temperature. Parts damaged or worn because of the use of caustic liquids or by operation in abrasive or corrosive environments or under conditions causing pump cavitation are not warranted. Failure to follow recommended operating and maintenance procedures also voids warranty.
4. The use of other than genuine manufacturer repair parts will void warranty. Parts returned, prepaid to our factory or to an Authorized Service Center will be inspected and replaced free of charge if found to be defective and subject to warranty. There are no warranties which extend beyond the description of the face hereof. Under no circumstances shall the manufacturer bear any responsibility for loss of use of the unit, loss of time or rental, inconvenience, commercial loss or consequential damages.

TABLE DES MATIÈRES

INTRODUCTION	30
CONSIGNES DE SÉCURITÉ	31
RISQUES DE CHOC ÉLECTRIQUE OU D'ÉLECTROCUTION	31
RISQUES D'EXPLOSION OU D'INCENDIE	32
RISQUES D'ASPHYXIE	32
RISQUES D'INJECTION OU DE COUPURE SÉVÈRE	32
RISQUES DE BRÛLURE	33
RISQUES DE RUPTURE.....	33
RISQUES ASSOCIÉ AUX PIÈCES MÉCANIQUES	33
RISQUES DE BLESSURE CORPORELLE PRÉVENTION.....	34
ÉLÉMENTS CONSTITUTIFS DU HHS	36
Liste des éléments constitutifs	37
INSTALLATION & PRÉPARATION	38
HABILLEMENT :	38
INSTALLATION :	38
ADAPTATEUR DE CHEMINÉE OPTIONNEL – ÉVACUATION DES GAZ BRÛLÉS	38
BRANCHEMENT DU CORDON D'ALIMENTATION :	39
RÉSERVOIR DU BRÛLEUR :	40
ILANCE À PRESSION RÉGLABLE :	40
MONTAGE DE LA LANCE À PRESSION RÉGLABLE :	41
ALIMENTATION D'EAU.....	41
BY-PASS DE DÉMARRAGE :	42
DÉTENDEUR THERMOSTATIQUE :	42
DÉMARRAGE - INSPECTION PRÉALABLE :	42
INSTRUCTIONS D'UTILISATION	44
VIDANGE DU SYSTÈME :	44
DÉMARRAGE / LAVAGE À L'EAU FROIDE :	44
LAVAGE À L'EAU CHAUDE :	45
DÉLAI D'ARRÊT AUTOMATIQUE APRÈS INACTIVITÉ ET DÉMARRAGE/ARRÊT AUTOMATIQUE (HHS SEULEMENT):	46
LAVAGE À LA VAPEUR (HHS SEULEMENT):	46
LAVAGE AUX DÉTERGENTS :	47
ARRÊT:	48
OPTIONS (HHS SEULEMENT):	48
TABLEAU D'ENTRETIEN	49
STOCKAGE & ENTRETIEN	50
ENTRETIEN QUOTIDIEN :	50
ENTRETIEN – TOUS LES 3 MOIS :	50
ENTRETIEN – TOUS LES 6 MOIS :	52
ENTRETIEN – TOUS LES 12 MOIS :	52
ENTRETIEN – SAISONNIER :	52
DÉPANNAGE	54
DÉCLARATION DE GARANTIE	57

⚠ AVERTISSEMENT

⚠ AVERTISSEMENT: Ce produit peut vous exposer à des produits chimiques, tel que le plomb, qui est reconnu par l'état de la Californie comme étant une cause de cancer, d'anomalies congénitales et d'autres problèmes liés à la reproduction. Pour plus de renseignements, aller à www.P65Warnings.ca.gov

⚠ AVERTISSEMENT

⚠ AVERTISSEMENT: Ce produit peut vous exposer à des agents chimiques, y compris carbon monoxide, identifiés par l'État de Californie comme pouvant causer des malformations congénitales ou autres troubles de l'appareil reproducteur. Pour de plus amples informations, prière de consulter www.P65Warnings.ca.gov.

INTRODUCTION

Nous vous félicitons de votre choix d'un nettoyeur haute pression à eau chaude Série HHS. Rassurez-vous, cet appareil a été conçu et construit en tenant compte des critères de performance et de qualité. Chaque composant a été rigoureusement testé afin d'assurer le plus haut niveau de satisfaction.

Ce manuel de l'utilisateur a été rédigé à votre attention. En lisant et en respectant les consignes de sécurité, d'installation, d'utilisation, d'entretien et de dépannage suivantes, vous profiterez de nombreuses années de fiabilité de la part de votre nouveau nettoyeur haute pression à eau chaude. Le contenu de ce manuel est basé sur les dernières informations disponibles au moment de sa publication. Le fabricant se réserve le droit de modifier le prix, la couleur, la construction, les équipements, les spécifications et les modèles à tout moment sans préavis.

! AVIS IMPORTANT !

Ces paragraphes sont entourés d'un « AVERTISSEMENT ENCADRÉ ». Cet avertissement sert à signaler et à souligner les Consignes de Sécurité applicables lors de l'utilisation du nettoyeur haute pression. Des « mots clé » accompagnent ces Consignes de Sécurité pour indiquer le degré ou le niveau du danger correspondant. Les « mots clé » utilisés dans ce manuel sont les suivants :

DANGER: SIGNALE UN DANGER IMMINENT QUI, S'IL N'EST PAS ÉVITÉ, ENTRAÎNERA LA MORT OU DE GRAVES BLESSURES.

MISE EN GARDE: SIGNALE UN DANGER POTENTIEL QUI, S'IL N'EST PAS ÉVITÉ, RISQUE D'ENTRAÎNER LA MORT OU DE GRAVES BLESSURES.

AVERTISSEMENT: SIGNALE UN DANGER POTENTIEL QUI, S'IL N'EST PAS ÉVITÉ, POURRAIT ENTRAÎNER DES BLESSURES LÉGÈRES OU MODÉRÉES.

Les symboles affichées à gauche de ce paragraphe sont les « symboles d'avis de danger ». Ces symboles servent à attirer l'attention aux articles ou au procédés qui pourraient représenter un danger pour vous ou pour les autres utilisateurs de ce matériel.



REMETTEZ UNE COPIE DE CE MANUEL À TOUTE PERSONNE UTILISANT CE MATÉRIEL. LISEZ L'ENSEMBLE DES INSTRUCTIONS AVANT D'UTILISER LE NETTOYEUR HAUTE PRESSION ET SOULIGNEZ SURTOUT LES « CONSIGNES DE SÉCURITÉ » AFIN D'ASSURER LA SÉCURITÉ DE L'UTILISATEUR.

Dès son déballage, inscrivez immédiatement le numéro de série de l'appareil sur la ligne ci-dessous.

NUMÉRO DE SÉRIE _____

Examinez l'appareil pour signes de dégâts de transport cachés ou apparents. Le cas échéant, présentez immédiatement une demande d'indemnité auprès du transporteur. Assurez-vous que toutes les pièces endommagées ont été réparées et que les problèmes mécaniques et électriques ont été réparés avant d'utiliser l'appareil. Consultez les services techniques aux coordonnées suivantes pour toutes réparations.

Veuillez fournir les renseignements suivants lors de votre appel :

1. Numéro du modèle
2. Numéro de série
3. Date et lieu d'achat

CONSIGNES DE SÉCURITÉ

RISQUES DE CHOC ÉLECTRIQUE OU D'ÉLECTROCUTION

Des blessures graves ou mortelles peuvent résulter d'une mauvaise mise à la terre du nettoyeur haute pression. Ce nettoyeur haute pression utilise une source d'alimentation électrique et risque de provoquer des chocs électriques ou l'électrocution s'il n'est pas utilisé correctement.

Cet appareil doit être relié à la terre. Assurez-vous que le cordon d'alimentation du nettoyeur haute pression est équipé d'un disjoncteur différentiel. Sinon, le nettoyeur haute pression doit être branché sur une prise protégée par disjoncteur différentiel. Débranchez l'appareil lorsqu'il ne sert pas.

Si votre appareil est équipé d'un disjoncteur différentiel, faites attention de ne pas le laisser tomber, car il risque d'être endommagé. Si le disjoncteur différentiel tombe accidentellement, testez-le avant d'utiliser l'appareil pour vous assurer qu'il fonctionne correctement. (Reportez-vous à la section « Disjoncteur différentiel » pour les modalités de contrôle.)

Vérifiez systématiquement la tension du réseau d'alimentation. Vérifiez que l'interrupteur marche/arrêt de l'appareil se trouve en position « OFF » (arrêt) avant de le brancher sur un réseau d'alimentation compatible. Débranchez-le lorsqu'il ne sert pas.

Ne pas tenter de modifier la fiche du cordon d'alimentation. Si elle ne correspond pas à la prise, demandez à un électricien qualifié d'installer une prise appropriée. Ne pas utiliser d'adaptateur quelconque.

Examinez le cordon d'alimentation pour signes d'écrasement, de coupure et de surchauffe. Lorsqu'il est nécessaire de remplacer le cordon ou sa fiche, servez-vous exclusivement de pièces de rechange identiques.

Des chocs électriques risquent d'être occasionnés par le cordon d'alimentation.

Ne pas utiliser de rallonges électriques avec ce nettoyeur haute pression.

Maintenez toutes les connexions au sec et surélevées. Ne pas laisser les cordons électriques reposer dans l'eau ou dans un endroit où ils risquent de se mouiller. Ne pas manipuler la fiche avec les mains mouillées.

Ne pas tirer sur le cordon pour débrancher la fiche de la prise.

NE PAS diriger le jet d'eau en direction d'une installation électrique quelconque! Cela comprend les prises électriques, les ampoules électriques, les boîtiers à fusibles, les transformateurs, l'appareil lui-même, etc.

Des chocs électriques peuvent être occasionnés par la mauvaise utilisation du nettoyeur haute pression.

NE PAS laisser les parties métalliques du nettoyeur haute pression entrer en contact avec des composants électriques sous tension.

Ne jamais utiliser le nettoyeur haute pression sans ses carters de protection ou lorsque ceux-ci ont été endommagés.

Toute réparation électrique du nettoyeur haute pression doit être confiée à un réparateur agréé selon les normes électriques en vigueur.

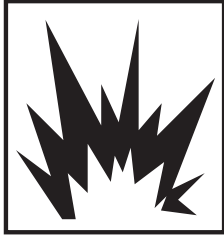
Des blessures graves ou mortelles peuvent être le résultat de réparations électriques effectuées par du personnel non qualifié.

Ne jamais ouvrir de boîtier électrique sans avoir d'abord arrêté le nettoyeur haute pression, libéré la pression et débranché l'appareil. Laisser refroidir le nettoyeur haute pression. Ne jamais supposer que le nettoyeur haute pression est hors danger par le simple fait qu'il n'est pas en marche. Il risque de redémarrer à tout moment! Réparez-le dans un endroit propre, sec et de niveau.



CONSIGNES DE SÉCURITÉ

RISQUES D'EXPLOSION OU D'INCENDIE



Les étincelles normalement produites par les sources d'allumage multiples ou l'échappement du brûleur risquent d'occasionner des blessures graves ou mortelles.

Utilisez le nettoyeur haute pression exclusivement dans un endroit bien ventilé et dépourvu de vapeurs inflammables, de poussière combustible, de gaz ou autre combustibles.

Ne pas stocker le nettoyeur à proximité d'une flamme ouverte ou d'appareils équipés d'un dispositif d'allumage par étincelle ou d'une flamme pilote, tel que les cuisinières, chaudières, chauffe-eau, etc.

L'utilisation d'un carburant inadapté risque d'occasionner des blessures graves ou mortelles.



Ne pas utiliser ce nettoyeur haute pression pour la pulvérisation de produits inflammables!

Ne pas fumer lors du remplissage du réservoir à carburant du brûleur.

Ne jamais remplir le réservoir à carburant du brûleur lorsque l'appareil est en marche ou encore chaud. Laissez refroidir l'appareil pendant deux minutes avant de faire le plein.

Ne pas remplir le réservoir de carburant dans un local mal ventilé.

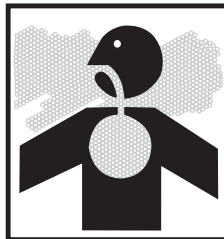
Remplissez le réservoir lentement afin d'éviter les risques de déversement qui pourraient provoquer un incendie.

Réservoir du brûleur :

Utilisez du mazout N°1 ou N°2, du carburant diesel ou du kérosène. Ne pas utiliser d'essence, d'huile de vidange ou d'huile contenant de l'essence ou des solvants.

Ne pas utiliser l'appareil après un déversement de carburant. Essuyez-le et éloignez-le du déversement. Attendez que le carburant se soit évaporé avant de mettre le moteur en marche.

RISQUES D'ASPHYXIE

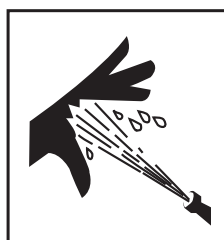


Des blessures graves ou mortelles peuvent résulter du mauvais entretien des dispositifs de sécurité du système.

Ce nettoyeur haute pression est équipé d'un détendeur thermostatique qu'il ne faut jamais altérer, modifier, enlever ou neutraliser. En cas de défaillance de ce dispositif, remplacez-le immédiatement par un détendeur d'origine identique.

Des blessures graves ou mortelles peuvent être occasionnées par l'inhalation des gaz d'échappement ou autres vapeurs nocives du brûleur. Ne jamais utiliser le nettoyeur haute pression dans un endroit clos. Assurez-vous toujours qu'il y a une ventilation suffisante (air frais venant de l'extérieur) pour assurer votre respiration ainsi que celle du moteur. Cela évitera les risques de concentration d'oxyde de carbone. Faites attention dans les locaux mal ventilés ou ceux équipés d'extracteurs qui n'assurent pas un renouvellement d'air suffisant.

Respectez l'ensemble des consignes de sécurité correspondant aux matériaux que vous nettoyez. Le nettoyage de certains types de matériaux peut nécessiter le port d'un respirateur. Ne pas utiliser ce nettoyeur haute pression en conjonction avec des détergents nocifs.



RISQUES D'INJECTION OU DE COUPURE SÉVÈRE

La pénétration de la peau par le jet haute pression risque d'occasionner des blessures graves ou mortelles. Restez à l'écart de l'embout et du jet. Ne jamais mettre la main, les doigts ou autre partie du corps directement sur

CONSIGNES DE SÉCURITÉ

l'embout de la lance.

Ne jamais diriger le jet haute pression vers vous-même ou vers les autres.

L'utilisation de ce matériel doit être réservée à du personnel compétent. Il convient de redoubler sa supervision lorsqu'il est utilisé à proximité des enfants.

Empêchez l'accès à la zone de nettoyage à toutes personnes.

NE PAS permettre aux enfants d'utiliser l'appareil.

FAITES APPEL AUX SERVICES DE SECOURS D'URGENCE si le jet semble avoir pénétré la peau! **NE PAS TRAITER LA LÉSION COMME SI ELLE ÉTAIT UNE COUPURE NORMALE!!**

Les flexibles haute pression et les conduites de carburant devraient être examinés quotidiennement pour signes d'usure. En cas de défaillance apparente, remplacez les flexibles ou conduites concernés afin d'éviter les risques de blessure en cas de rupture des flexibles haute pression. En cas de fuite au niveau d'un flexible ou d'un raccord, **NE JAMAIS METTRE LA MAIN DIRECTEMENT SUR LA FUITE.**

NE JAMAIS utiliser la lance avec la gâchette bloquée en position ouverte. Lorsque l'appareil ne sert pas, sa gâchette doit être verrouillée afin d'éviter les risques de décharge accidentelle.

Il faut **TOUJOURS** arrêter l'appareil et appuyer sur la gâchette afin de dépressuriser l'appareil avant toute intervention. (Même après avoir arrêté l'appareil, l'eau sera sous pression dans la pompe, dans le flexible et dans la lance jusqu'à ce que vous ayez appuyé sur la gâchette de la poignée pistolet.)

RISQUES DE BRÛLURE

Tout contact avec l'échangeur calorifique risque d'occasionner de graves blessures. Cet endroit peut rester brûlant pendant un certain temps après l'arrêt du nettoyeur haute pression.

Ne jamais venir en contact avec l'échangeur calorifique.

Une fois que vous l'avez arrêté, ne laissez pas l'appareil sans supervision avant qu'il ait eu le temps de refroidir complètement comme décrit à la section « ARRÊT DE L'APPAREIL » de la page 18 du manuel.)



RISQUES DE RUPTURE

L'utilisation de composants, de raccords ou d'accessoires mal adaptés peut occasionner de graves blessures en cas de défaillance du nettoyeur haute pression ou de rupture d'un des accessoires.

Ne jamais tenter de modifier les réglages de pression usine.

Ne jamais dépasser la limite de pression nominale des accessoires.

Ne laissez pas les flexibles entrer en contact avec l'échangeur calorifique, car elles risquent d'éclater. Évitez de traîner les flexibles sur des surfaces rugueuses tels que le béton.

Utilisez exclusivement les pièces de rechange recommandées par le fabricant pour cet appareil particulier.

En cas de gel, l'appareil doit toujours rester suffisamment chaud pour empêcher la pompe de geler. Lorsqu'il a été transporté dans un véhicule ouvert ou non chauffé, ne tentez pas de démarrer le nettoyeur haute pression avant qu'il ait eu le temps de dégeler.



RISQUES ASSOCIÉ AUX PIÈCES MÉCANIQUES

Les composants mécaniques du nettoyeur haute pression peuvent occasionner de graves blessures corporelles.

Ne jamais tenter de régler l'appareil lorsqu'il est sous tension.



CONSIGNES DE SÉCURITÉ

Ne pas utiliser l'appareil sans l'ensemble de ses carters de protection en place.

Respectez les consignes d'entretien du manuel.



RISQUES DE BLESSURE CORPORELLE PRÉVENTION

Le contact des détergents avec la peau peut provoquer des blessures graves ou mortelles.

APPELEZ LES SERVICES D'URGENCE si vous utilisez des produits de nettoyage et que le jet semble avoir pénétré la peau! NE PAS TRAITER LA BLESSURE COMME SI C'ÉTAIT UNE SIMPLE COUPURE! Soyez prêt à indiquer au médecin le type exact du produit que vous utilisiez en vous reportant à la fiche signalétique (MSDS) du détergent en question.

Ne jamais utiliser de solvants, de détergents hautement corrosifs ou de produits de nettoyage acides avec le nettoyeur haute pression.

Il est conseillé de prévoir des dispositifs de protection (combinaison et gants en caoutchouc, respirateur, etc.), surtout lors de l'utilisation de produits chimiques.

Gardez tous produits chimiques hors de la portée des enfants !

Portez SYSTÉMATIQUEMENT des lunettes de sécurité lors de l'utilisation de l'appareil afin de vous protéger contre la projection des débris et des produits chimiques.

Tous débris projetés à haute vitesse par la lance risque de provoquer des blessures graves.

NE PAS diriger le jet vers des matériaux fragiles (verre, etc.) en raison des risques d'éclatement.

Cet appareil est équipé d'un système de mise en marche et d'arrêt automatique. Le nettoyeur haute pression s'arrêtera jusqu'à ce que l'on appuie sur la gâchette de la lance. Afin d'éviter les risques de décharge haute pression accidentels, ne laissez pas l'appareil sans surveillance lorsqu'il est dans ce mode opératoire.

Il y a possibilité de blessure si l'utilisateur est déséquilibré par la poussée de l'eau lorsqu'elle franchit l'embout de la lance.

Soyez attentif et faites attention à ce que vous faites. Ne pas utiliser l'appareil lorsque vous êtes fatigué ou sous l'influence d'alcool ou de médicaments.

NE JAMAIS appuyez sur la gâchette lorsque vous ne contrôlez pas la lance.

Ne vous mettez JAMAIS en porte-à-faux ou sur une surface instable.

Les surfaces mouillées peuvent être dangereuses. Portez des chaussures appropriées et maintenez votre équilibre à tous moments.

NE JAMAIS appuyez sur la gâchette lorsque vous êtes sur une échelle ou un toit.

Tout nettoyeur haute pression est potentiellement dangereux.

Tenez la lance fermement lorsque vous démarrez l'appareil et durant toute son utilisation. Sinon, elle risque de s'échapper et de fouetter dangereusement.

Sachez comment arrêter et dépressuriser le nettoyeur haute pression en cas d'urgence. Familiarisez-vous complètement avec les commandes de l'appareil.

NE PAS laisser l'appareil sans surveillance lorsqu'il est sous pression. Arrêtez le nettoyeur haute pression et libérez la pression résiduelle avant de partir.

CONSIGNES DE SÉCURITÉ

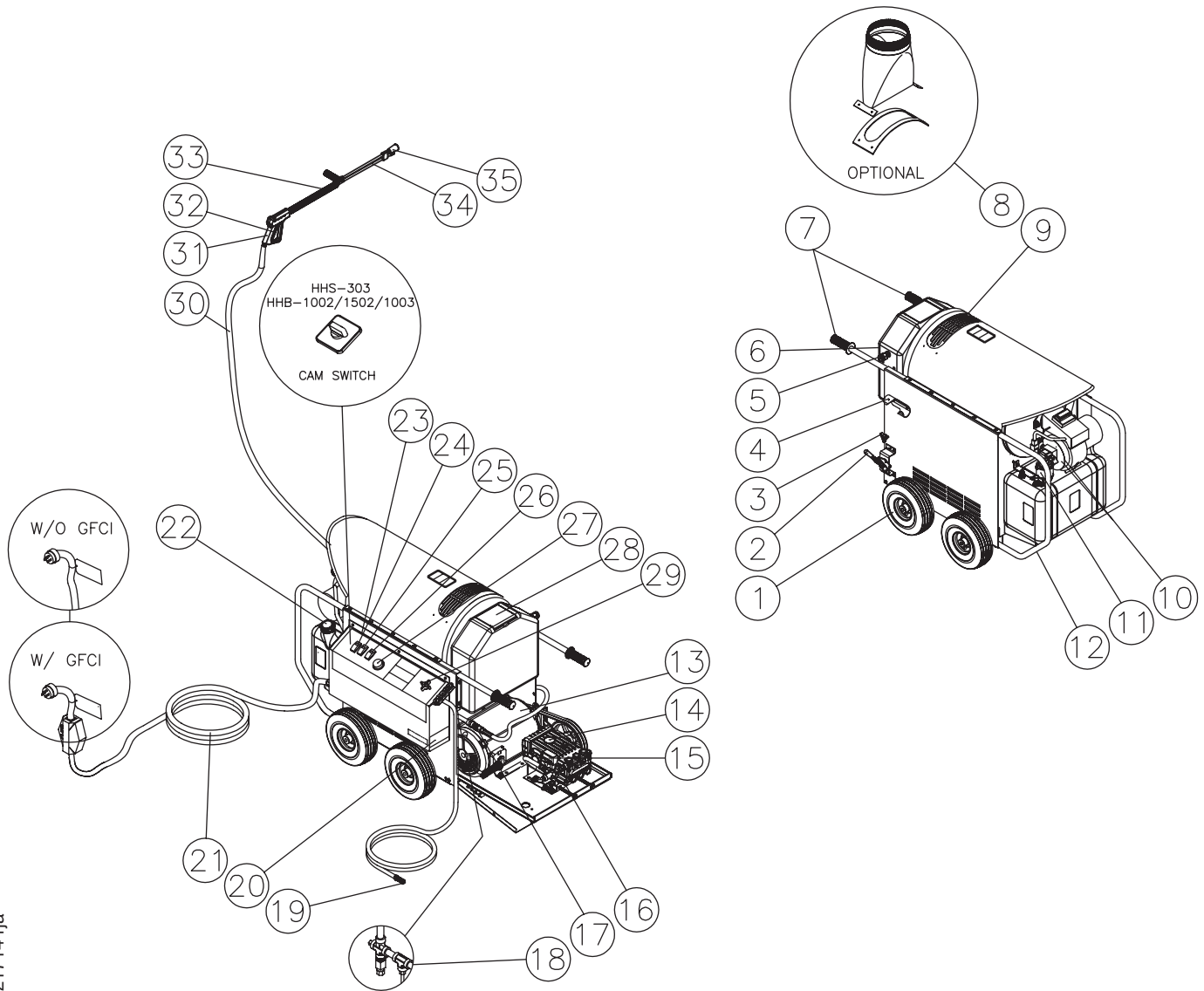
NE PAS utiliser l'appareil si vous constatez des fuites de carburant, d'huile ou d'eau quelconques. NE PAS réutiliser l'appareil avant qu'un technicien qualifié l'ait examiné.

Lors de son entretien, posez l'appareil sur une surface propre, sèche et de niveau. Avant d'intervenir sur l'appareil, arrêtez-le, libérez la pression d'eau en appuyant sur la gâchette, puis laissez-le refroidir. Prévoyez un endroit propre, sec et de niveau lors de toute intervention sur l'appareil. Engagez le frein pour l'empêcher de se déplacer.

Ne pas tenter de déplacer l'appareil en tirant sur le flexible.

 **!CONSERVEZ CES INSTRUCTIONS !** 

ÉLÉMENTS CONSTITUTIFS DU HHS



features_hhs_hhb_021714_rja

LISTE DES ÉLÉMENTS CONSTITUTIFS

1. Roues pas de plat
2. Frein
3. Panneau d'accès
4. Porte-lance
5. Arrivée d'eau
6. Réservoir d'eau
7. Manches caoutchoutés
8. Adaptateur de cheminée (optionnel)
9. Échappement d'échangeur calorifique
10. Réglage d'air du brûleur
11. Filtre à carburant
12. Cage de protection du réservoir à carburant & brûleur
13. Moteur de pompe
14. Pompe haute pression
15. Commande de pression – commande du brûleur
16. By-pass de démarrage
17. Sortie d'eau
18. Clapet de Sécurité
19. Tamis à détergent
20. Décalque – Plaque signalétique
21. Cordon d'alimentation (avec disjoncteur différentiel sur 1002/1003 & 2004 monophasé)
22. Réservoir du brûleur
23. Panneau de commande
24. Interrupteur de Pompe (ou Interrupteur à Came)
25. Interrupteur du Brûleur
26. Interrupteur du principal
27. Flexible haute pression
28. Crépine
29. Distributeur de détergent
30. Tuyau À haute pression
31. Poignée pistolet
32. Verrou de détente
33. Lance isolée
34. Lance à pression réglable
35. Embout haute pression

RENSEIGNEMENTS PARTICULIERS

CHÂSSIS: Axes en acier, manches caoutchoutés.

DÉPLACEMENT: Quatre roues pneumatiques pour faciliter le déplacement.

REVÊTEMENT: Châssis poudré avec échangeur calorifique en acier inoxydable.

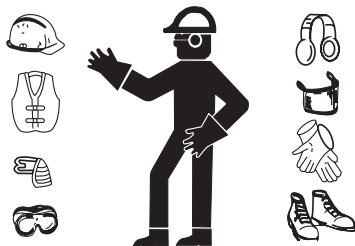
FLEXIBLE HAUTE PRESSION: 3/8 po x 50 pieds.

POIGNÉE PISTOLET: Gâchette de commande, sûreté, lance isolée.

LANCE À PRESSION RÉGLABLE: Isolée, à pression réglable.

INSTALLATION & PRÉPARATION

HABILLEMENT :



Votre sécurité dépend d'un habillement approprié. Il est conseillé d'utiliser tous les moyens nécessaires afin de protéger les yeux, les oreilles et la peau. Des dispositifs de sécurité supplémentaires, tels que le port d'un respirateur, peuvent s'avérer nécessaires lors de l'utilisation de produits chimiques en conjonction avec ce nettoyeur haute pression.

INSTALLATION :

⚠ DANGER RISQUES D'EXPLOSION OU D'INCENDIE ! NE PAS UTILISER L'APPAREIL EN PRÉSENCE DE VAPEURS DE GAZ INFLAMMABLES. LA MOINDRE ÉTINCELLE RISQUE DE PROVOQUER UNE EXPLOSION OU UN INCENDIE !

⚠ RISQUES D'ÉCLATEMENT DE L'APPAREIL ! NE PAS STOCKER OU UTILISER L'APPAREIL PAR TEMPS DE GEL !

1. Il est nécessaire de prévoir une surface plane et de niveau lors de l'installation de l'appareil afin d'assurer la lubrification de la pompe à eau en cours de fonctionnement. NE JAMAIS diriger le jet directement sur l'appareil.
2. Ne pas utiliser l'appareil dans un local :
 - a. mal ventilé
 - b. où le plafond est composé de matériaux combustibles (sauf s'il est équipé d'une conduite de ventilation appropriée).
 - c. où il existe des signes de fuite d'huile ou de carburant.
 - d. qui risque de contenir de vapeurs de gaz inflammable.
3. N'oubliez pas d'engager le frein afin d'empêcher tout déplacement de l'appareil en cours de nettoyage. Prévoyez suffisamment d'espace autour de l'appareil pour assurer son accessibilité.
4. N'exposez pas l'appareil aux intempéries et au gel. Toute exposition au gel risque de créer une surpression au sein de l'appareil qui risque de le faire exploser et blesser l'utilisateur ou ceux à proximité.
5. Le niveau d'huile de la pompe doit être vérifié avant chaque utilisation. Assurez-vous que l'huile arrive jusqu'au trait « plein » (Full) de la jauge ou jusqu'au milieu du hublot de niveau d'huile. Si le niveau s'avère insuffisant, faites l'appoint avec de l'huile à pompe SAE20 ou 30 non détergent.

ADAPTATEUR DE CHEMINÉE OPTIONNEL – ÉVACUATION DES GAZ BRÛLÉS

⚠ MISE EN GARDE RISQUES D'ASPHYXIE ! N'UTILISEZ CET APPAREIL QUE DANS DES LOCAUX BIEN VENTILÉS ! SES GAZ D'ÉCHAPPEMENT CONTIENNENT DE L'OXYDE DE CARBONE, GAZ TOXIQUE SANS ODEUR ET INVISIBLE DONT L'INHALATION PEUT ENTRAÎNER DE GRAVES BLESSURES, DE GRAVES MALADIES OU MÊME LA MORT.

1. L'installation de cet appareil à l'intérieur ou dans un local clos doit être confiée à un spécialiste des systèmes CVC. De surcroît, le réseau d'évacuation doit être conforme aux normes en vigueur. Reportez-vous aux normes NFPA 31 ou CAN/CSA B139-M91 applicables.
2. Les gaz brûlés ne doivent pas être évacués vers les vides de cloison, de plafond ou autres espaces vides d'un bâtiment.
3. Un tuyau d'évacuation de 8 po de diamètre doit être installé pour recevoir l'adaptateur de cheminée. Ce tuyau doit être aussi court que possible et doit être installé de manière à maintenir une pente ascendante uniforme jusqu'à la cheminée d'évacuation. L'utilisation de coudes doit être limitée au minimum afin d'assurer au système un tirage adéquat et une combustion optimale.

INSTALLATION & PRÉPARATION

4. Lorsque l'appareil est installé dans un local clos, il est nécessaire de prévoir une arrivée d'air de combustion adéquate au niveau du sol. Celle-ci doit avoir une surface minimale de 1 pouce carré par 1.000 BTU de débit*** calorifique. Il faut également prévoir une ventilation à proximité du plafond. Cette ouverture doit avoir au moins la même section que l'arrivée d'air au niveau du sol. Reportez-vous aux normes NFPA 31 et CAN/CSA B139-M91 applicables.
5. Si le brûleur est situé dans un bâtiment relativement hermétique dont l'arrivée d'air de l'extérieur est insuffisante, l'air nécessaire à la combustion doit être amené de l'extérieur par d'autres moyens. Un moyen d'assurer cette amenée d'air est de créer une ou plusieurs ouvertures permanentes dans un des murs extérieurs. La surface totale de ces ouvertures doit être d'au moins un pouce carré par 5.000 BTU de débit calorifique. Il convient de prendre en considération l'ensemble des appareils électriques présents. Reportez-vous aux normes NFPA 31 et CAN/CSA B139-M91 applicables.

BRANCHEMENT DU CORDON D'ALIMENTATION :

⚠ DANGER RISQUE D'ÉLECTROCUTION ! CET APPAREIL DOIT ÊTRE BRANCHÉ SUR UNE PRISE AVEC TERRE APPROPRIÉE. NE PAS UTILISER D'ADAPTATEUR OU TENTER D'ENLEVER LA BARRETTE DE TERRE DE LA FICHE.

1. Vérifiez que tous les deux l'interrupteur se soyez en position « OFF » (arrêt).
2. Vérifiez que la source d'alimentation correspond aux spécifications indiquées sur la plaque signalétique du nettoyeur haute pression.
3. MISE À LA TERRE : Ce produit doit être relié à la terre. En cas de panne ou de défaillance, la mise à la terre assure un passage de faible résistance au courant électrique, réduisant ainsi les risques de choc. Le cordon électrique de cet appareil est équipé d'un fil de terre. La fiche du cordon doit être branchée sur une prise avec terre appropriée et installée selon les normes en vigueur.

⚠ MISE EN GARDE RISQUE D'ÉLECTROCUTION ! AFIN DE LIMITER LES RISQUES D'ÉLECTROCUTION, GARDEZ TOUTES CONNEXIONS AU SEC ET SURÉLEVÉES. NE PAS TOUCHER LA FICHE AVEC LES MAINS MOUILLÉES.

4. DANGER : L'absence d'une mise à la terre appropriée de ce matériel vous met à risque d'électrocution. Consultez un électricien ou un technicien qualifié en cas de doute concernant la mise à la terre de la prise électrique en question. Ne pas tenter d'altérer la fiche électrique. Si elle n'entre pas dans la prise, demandez à un électricien qualifié d'installer la prise appropriée. Ne pas utiliser d'adaptateur quelconque avec ce produit.
5. PROTECTION PAR DISJONCTEUR DIFFÉRENTIEL :

ALIMENTATION MONOPHASÉE : Lorsque le nettoyeur haute pression est livré avec un Disjoncteur de fuite à la terre de Classe A (GFCI) à son cordon d'alimentation ou sa prise, testez le disjoncteur selon les indications estampées sur ce dernier à chaque fois que vous branchez l'appareil. NE PAS utiliser le nettoyeur haute pression si le disjoncteur ne se réarme pas ! Le disjoncteur différentiel offre une protection supplémentaire contre les risques de choc électrique. S'il devient nécessaire de remplacer le cordon d'alimentation ou sa fiche, utilisez exclusivement de pièces de rechange identiques équipées d'un Disjoncteur de fuite à la terre de Classe A (GFCI).

b. ALIMENTATION MONOPHASÉE : Si le nettoyeur haute pression n'est pas équipé d'un disjoncteur différentiel incorporé, il doit être branché sur une prise protégée par un disjoncteur différentiel afin de respecter la norme NFPA 70 (National Electric Code) et d'assurer une protection supplémentaire contre les risques de choc électrique. Cette protection par disjoncteur de fuite à la terre de Classe A (GFCI) doit faire partie du dispositif de la prise de courant ou du dispositif de protection

INSTALLATION & PRÉPARATION

contre les surintensités du circuit de dérivation qui alimente la prise de courant.

- c. ALIMENTATION TRIPHASÉE : Ces nettoyeurs haute pression ne sont pas équipés d'un disjoncteur différentiel.
6. RALLONGES ÉLECTRIQUES : Le fabricant DÉCONSEILLE L'UTILISATION DE RALLONGES ÉLECTRIQUES ! Lorsque l'utilisation d'une rallonge électrique est inévitable, celle-ci doit être reliée au disjoncteur différentiel d'un boîtier de dérivation ou d'une prise de courant ainsi protégée. Lors de l'utilisation d'une rallonge électrique, consultez un électricien qualifié afin de déterminer la section des conducteurs nécessaire en fonction de la longueur de la rallonge.

ALIMENTATION MONOPHASÉE : Utilisez exclusivement des rallonges électriques à trois fils équipées d'une fiche mâle à trois barrettes (2 + terre) et d'une fiche femelle avec terre qui correspond à la fiche mâle du cordon d'alimentation de l'appareil.

ALIMENTATION TRIPHASÉE : Utilisez exclusivement des rallonges électriques à quatre fils (3 + terre) équipées d'une fiche mâle à quatre barrettes et d'une fiche femelle qui correspond à la fiche mâle de l'appareil.

Utilisez exclusivement des rallonges électriques prévus pour l'extérieur. Celles-ci s'identifient par la mention « Acceptable for use with outdoor appliances : store indoors while not in use. » Utilisez exclusivement des rallonges électriques dont la résistance nominale est au moins égale à celle de l'appareil. N'utilisez pas de rallonges électriques endommagées. Examinez toute rallonge électrique avant de l'utiliser et remplacez-la si nécessaire. Ne maltraitez pas les rallonges électriques et ne tirez pas sur la rallonge ou le cordon d'alimentation pour débrancher l'appareil. Éloignez tout cordon électrique des sources de chaleur et des objets tranchants. Il faut toujours brancher ou débrancher les rallonges électriques au niveau du réseau d'alimentation avant de brancher ou de débrancher la rallonge au niveau de l'appareil.

7. Assurez-vous que la zone entre le nettoyeur haute pression et la prise de courant reste sec.
8. Branchez la fiche mâle dans une prise à courant alternatif avec terre. NE PAS utiliser d'adaptateur OU enlever la barrette de mise à la terre de la fiche !!

RÉSERVOIR DU BRÛLEUR :

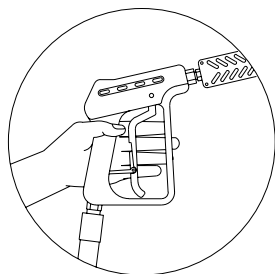
⚠ MISE EN GARDE, RISQUES D'EXPLOSION OU D'INCENDIE ÉCARTEZ SYSTÉMATIQUEMENT LE BIDON DE CARBURANT DU NETTOYEUR HAUTE PRESSION LORSQUE CE DERNIER EST EN MARCHÉ OU ENCORE CHAUD.

1. Lisez la section « Risques d'explosion ou d'incendie » à la page 29 avant de remplir le réservoir.
2. Lisez et respectez les consignes des décalques de sécurité affichées sur l'appareil.
3. Remplissez le réservoir du brûleur avec du mazout N° 1 ou N°2, du diesel ou du kérosène propre et de bonne qualité. Ne pas utiliser d'essence

⚠ DANGER RISQUE D'INCENDIE ! -NE PAS FUMER LORS DU REMPLISSAGE DU RÉSERVOIR ! - NE PAS REMPLIR LE RÉSERVOIR DE CARBURANT LORSQUE L'APPAREIL EST EN MARCHÉ OU ENCORE CHAUD. LAISSEZ-LE REFROIDIR PENDANT DEUX MINUTES AVANT DE FAIRE LE PLEIN. -NE PAS TROP REMPLIR LE RÉSERVOIR.

!LANCE À PRESSION RÉGLABLE :

⚠ MISE EN GARDE RISQUE D'INJECTION ET DE BLESSURE GRAVE LA GÂCHETTE DU PISTOLET DOIT TOUJOURS RESTER

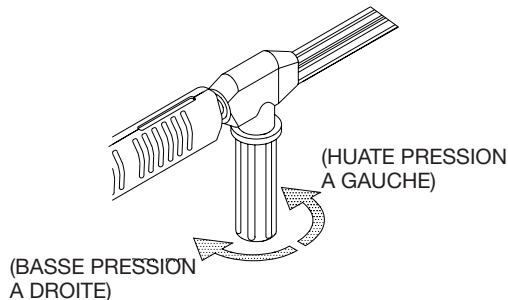


INSTALLATION & PRÉPARATION

**VERROUILLÉ LORSQUE L'APPAREIL N'EST PAS EN SERVICE.
NE JAMAIS REGARDER L'EMBOUT EN FACE AVANT DE L'AVOIR
DÉMONTÉ DE LA LANCE.**

Cet appareil est équipé d'une lance à pression réglable qui permet à l'utilisateur de sélectionner soit un jet haute pression, soit un jet basse pression pulvérisant. Il s'agit simplement de tourner la poignée de réglage de la lance pour sélectionner la pression voulue.

1. Un jet haute pression est obtenu en tournant la poignée de réglage de la lance à gauche (dans le sens contraire aux aiguilles d'une montre) comme indiqué au dessin ci-dessous.
2. Un jet pulvérisant à basse pression est obtenu en tournant la poignée de réglage de la lance à droite (dans le sens des aiguilles d'une montre) comme indiqué au dessin ci-dessous.



MONTAGE DE LA LANCE À PRESSION RÉGLABLE :

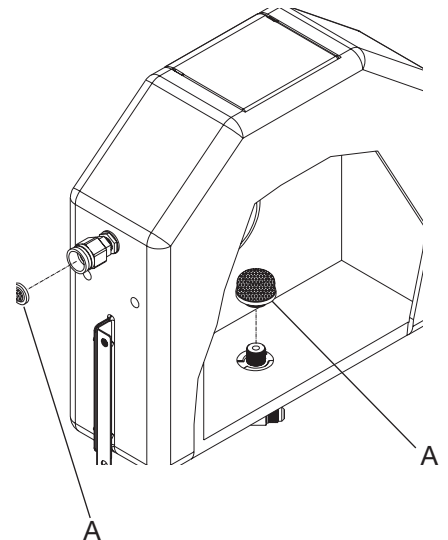
1. Assurez-vous que la gâchette de la poignée pistolet est verrouillée (position « OFF »)
2. Assemblez ensuite la lance à pression réglable et la poignée pistolet. Assurez-vous que le raccord est serré à fond.

ALIMENTATION D'EAU

1. Utilisez un tuyau d'arrosage de bonne qualité, d'un diamètre intérieur minimal de 3/4 po et d'une longueur maximale de 50 pieds.
2. Assurez-vous que les crépines (A) sont propres et non obstruées. Le nettoyage régulier de la crépine aidera à limiter les problèmes de pompe. Lorsqu'une crépine devient obstruée, elle réduit le débit d'eau vers la pompe. Cela risque de créer une cavitation qui entraînera la défaillance prématurée des garnitures de la pompe. Enlevez les crépines (A), puis nettoyez-les ou remplacez-les.
3. Branchez une extrémité du tuyau d'alimentation d'eau sur l'arrivée de l'appareil. Branchez l'autre extrémité du tuyau sur le robinet d'alimentation d'eau.

NOTA: Lorsque l'eau du réseau est très calcaire, il est conseillé d'utiliser un adoucisseur d'eau afin d'éviter l'entartrage du serpentin de l'échangeur calorifique.

4. Respectez les critères d'arrivée d'eau suivants :
 - a. La pression d'arrivée doit être située entre 20 et 125 livres par pouce carré (PSI).
 - b. Le débit en GPM (gallons/min) de l'eau à l'arrivée doit être d'environ 1 gallon de plus que le débit de sortie indiqué sur la plaque signalétique du nettoyeur haute pression. (Vous pouvez déterminer le débit en GPM en chronométrant le temps nécessaire au remplissage d'un récipient de 5 gallons.)
 - c. La température de l'eau à l'arrivée ne doit pas dépasser 125°F. La pompe risque d'être sévèrement endommagée si la température de l'eau dépasse cette limite.



INSTALLATION & PRÉPARATION

5. Ne jamais laisser tourner l'appareil sans qu'il soit raccordé à une alimentation d'eau et sans que cette alimentation soit complètement ouverte.

BY-PASS DE DÉMARRAGE :

Le by-pass est préréglé un usine.

DÉTENDEUR THERMOSTATIQUE :

Afin d'assurer que la température de l'eau n'excède pas les limites acceptables, ne jamais laisser tourner le nettoyeur haute pression en mode by-pass (appareil en marche et gâchette fermée) pendant plus de cinq minutes.

Un détendeur thermostatique a été ajouté à cet appareil afin de protéger la pompe. Ce détendeur assure l'évacuation d'eau de la pompe dès que la température de l'eau dépasse 140°F. Cela permet à de l'eau fraîche et froide d'entrer dans le système pour empêcher la défaillance prématurée des garnitures de pompe.

DÉMARRAGE - INSPECTION PRÉALABLE :

Avant de démarrer l'appareil, effectuez les contrôles suivants :

1. Examinez les cordons électriques pour signes de coupures. En cas de coupure, **NE PAS TOUCHER OU UTILISER LE CORDON !** Remplacez-le avant de démarrer l'appareil.
2. Vérifiez le niveau d'huile de la pompe.
3. Examinez la crépine d'arrivée d'eau. Nettoyez ou remplacez-la si nécessaire. Voir « Alimentation d'eau ».
4. Examinez l'ensemble des raccords de flexible pour vous assurer qu'ils sont serrés à fond.
5. Examinez le système pour signes de fuites d'eau, d'huile ou de carburant. En cas de fuite de carburant, **NE PAS DÉMARRER L'APPAREIL !** Voir la section « Risques d'Explosion ou d'Incendie », p.29. Assurez-vous que toutes pièces défectueuses ont été remplacées et que tous problèmes mécaniques ont été réparés avant d'utiliser l'appareil. Si vous avez besoin d'assistance, consultez le Service à la Clientèle.
6. Examinez les flexibles haute pression pour signes de plissage, de coupures ou de fuites. En cas de coupure ou de fuite, **NE PAS UTILISER LE FLEXIBLE !** Remplacez-le avant de démarrer l'appareil. Voir la section « Risques d'Injection ou de Coupure Grave ». Assurez-vous que toutes pièces endommagées ont été remplacées et que tous problèmes mécaniques ont été réparés avant d'utiliser l'appareil. Si vous avez besoin d'assistance, consultez le Service à la Clientèle.

⚠ MISE EN GARDE ⚠

LES PAGES SUIVANTES COUVRENT LE FONCTIONNEMENT ET L'ENTRETIEN DE L'APPAREIL.

NE PAS TENTER D'UTILISER CE NETTOYEUR HAUTE PRESSION AVANT D'AVOIR LU ET COMPRIS TOUTES LES CONSIGNES DE SÉCURITÉ ET LES INSTRUCTIONS CONTENUES DANS CE MANUEL.

TOUTE UTILISATION NON APPROPRIÉE DE CET APPAREIL RISQUE DE PROVOQUER DE GRAVES BLESSURES CORPORELLES !

NE PAS TENTER D'ALTÉRER OU DE MODIFIER CE MATÉRIEL D'UNE MANIÈRE QUELCONQUE !

INSTRUCTIONS D'UTILISATION

VIDANGE DU SYSTÈME :



AVERTISSEMENT RISQUES DE DÉTÉRIORATION DE L'APPAREIL. N'OUBLIEZ PAS D'ENLEVER LE FLEXIBLE, LE PISTOLET ET LA LANCE À PRESSION RÉGLABLE DE L'APPAREIL AVANT DE LE VIDANGER. LA VIDANGE PERMET L'ÉVACUATION DES CONTAMINANTS QUI POURRAIENT OBSTRUER OU ENDOMMAGER L'ENSEMBLE PISTOLET/EMBOUT ET ENTRAÎNER D'IMPORTANTES FRAIS DE RÉPARATION.

Cet appareil est équipé d'un serpentín en acier qui, après avoir reposé un certain temps, tintera son eau résiduelle d'une couleur brunâtre ou noirâtre. Cette eau doit être vidangée du système avant le démarrage. Cette opération doit être menée avant d'installer le flexible haute pression, le pistolet et la lance à pression réglable.

1. Ouvrez le robinet d'eau.
2. Mettez l'interrupteur en position 'Pump' (Pompe). De l'eau à basse pression commencera alors à s'écouler de la sortie d'eau. Cela permet de vidanger les particules éventuellement restées dans le système. L'opération peut être interrompu dès que l'eau s'écoulant de la sortie devient claire.
3. Une fois le système vidangé, mettez l'interrupteur à la position 'OFF' (arrêt), puis raccordez le flexible haute pression à la sortie d'eau de l'appareil.
4. Raccordez la poignée pistolet et la lance à pression réglable sur le flexible haute pression.

DÉMARRAGE / LAVAGE À L'EAU FROIDE :

1. Reportez-vous aux consignes de sécurité des pages 28 à 31 avant de démarrer l'appareil.
2. Respectez les consignes de sécurité affichées sur l'appareil.
3. Vérifiez que l'interrupteur marche/arrêt est en position 'OFF'(arrêt).
4. En orientant la lance dans une direction hors danger, appuyez sur la gâchette de la poignée pistolet après l'avoir déverrouillée. Préparez-vous au recul de la lance lorsque la pompe se met en marche.
5. Mettre l'interrupteur de principal en position de marche.
6. Mettez l'interrupteur à la position 'Pump' (pompe).
7. Une fois l'appareil en marche, procédez aux opérations suivantes, tout en tenant la gâchette appuyée :
 - a. Examinez le système pour signes de fuites d'eau, d'huile ou de carburant. En cas de fuite, **ARRÊTEZ L'APPAREIL IMMÉDIATEMENT** ! Remplacez toutes pièces défectueuses et réparez tous problèmes mécaniques avant d'utiliser l'appareil. Consultez le Service à la Clientèle pour toute assistance nécessaire.
 - b. Examinez les flexibles haute pression pour signes de plissage, de coupure ou de fuite. En cas de coupure ou de fuite, **NE PAS TOUCHER LE POINT DE FUITE !!! ARRÊTEZ L'APPAREIL IMMÉDIATEMENT** ! Remplacez le flexible avant de redémarrer l'appareil. Voir la section « Risques d'Injection ou de Coupure Sévère ». Remplacez toutes pièces défectueuses et réparez tous problèmes mécaniques avant d'utiliser l'appareil. Consultez le Service à la Clientèle pour toute assistance nécessaire.
8. L'appareil est alors prêt à fonctionner à l'eau froide sous pression. Appuyez sur la gâchette à plusieurs reprises et essayer de régler la pression en tournant la poignée de la lance à pression réglable. **NE JAMAIS** mettre vos mains ou vos doigts devant l'embout de la lance ou essayer de regarder dans l'embout ! Le jet d'eau à haute pression est extrêmement dangereux!



**DANGER RISQUES D'INJECTION ET DE BLESSURE GRAVE !
-RESTEZ À L'ÉCART DE L'EMBOUT DE LANCE ! NE JAMAIS
METTRE VOS MAINS OU VOS DOIGTS DEVANT L'EMBOUT !**

INSTRUCTIONS D'UTILISATION

-NE PAS DIRIGER LE JET VERS DES PERSONNES OU DES ANIMAUX DOMESTIQUES ! -L'UTILISATION DE CE PRODUIT DOIT ÊTRE RÉSERVÉE À DU PERSONNEL QUALIFIÉ. -UN SYSTÈME D'ARRÊT AUTOMATIQUE TEMPORISÉ EST PRÉVU POUR ARRÊTER L'APPAREIL AFIN D'EMPÊCHER LES DÉCHARGES HAUTE PRESSION ACCIDENTELLES JUSQU'À CE QUE L'ON APPUIE À NOUVEAU SUR LA GÂCHETTE. NE PAS LAISSER L'APPAREIL SANS SUPERVISION LORSQU'IL EST DANS CE MODE OPÉRATOIRE.

9. Ne laissez pas tourner l'appareil en mode by-pass, à savoir, sans appuyer sur la gâchette, pendant plus de cinq minutes. Le non respect de cette simple consigne risque d'entraîner la défaillance des garnitures de pompe et d'importants frais de réparation.

 ADVERTISSEMENT RISQUES DE DÉGÂTS MATÉRIELS. NE PAS MAINTENIR LE JET SUR UN POINT PARTICULIER TROP LONGTEMPS. LE SUPPORT RISQUE D'ÊTRE ENDOMMAGÉ.

NOTA : Cet appareil peut-être équipé d'un système temporisé qui assure l'arrêt automatique de l'appareil dès que la gâchette est restée inactive pour une période prédéterminée. Le nettoyeur haute pression peut-être remettra en marche dès que l'on appuie à nouveau sur la gâchette. Le délai de temporisation du système d'arrêt automatique est initialement réglé à 90 secondes. Cette période d'inactivité peut être ramenée à un minimum de 3 secondes ou repoussée à un maximum de 5 minutes par tout technicien agréé.

10. Ce nettoyeur haute pression peut délivrer de l'eau froide sous pression dans une variété de jets différents. Si vous désirez laver à l'eau chaude, à la vapeur ou avec des produits chimiques, reportez-vous aux consignes suivantes.

LAVAGE À L'EAU CHAUDE :

 MISE EN GARDE RISQUES DE BRÛLURE ! L'EAU PEUT DEVENIR BRÛLANTE EN MODE EAU CHAUDE / VAPEUR. FAITES TRÈS ATTENTION LORS DES RÉGLAGES DE PRESSION ET DE LA MANIPULATION DE L'ENSEMBLE PISTOLET / LANCE.

1. Reportez-vous aux articles 1 à 8 de la section « Démarrage / Lavage à l'eau Froide ».
2. Mettez l'interrupteur en position brûleur ("Burner") et tournez le thermostat réglable vers la droite jusqu'à la température voulue.
3. Réexaminez le système pour signes de fuites. En cas de fuite de carburant, ARRÊTEZ L'APPAREIL IMMÉDIATEMENT ! Reportez-vous à la section « Risques d'Explosion ou d'Incendie ».

NOTA: Lors du démarrage initial, l'eau sera chaude au bout d'une vingtaine de secondes et arrivera à température maximale dans à peu près deux minutes et demi, pourvu que l'on maintien la gâchette appuyée. Le brûleur s'éteint dès que l'on lâche la gâchette.

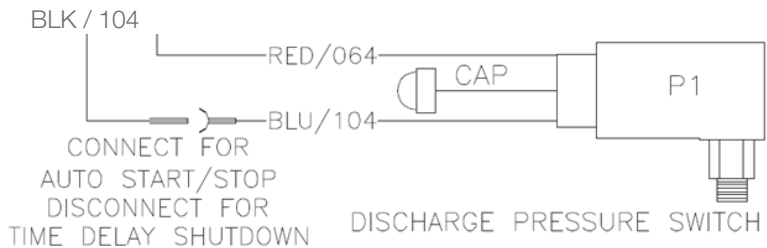
A ce point, l'appareil sert de nettoyeur haute pression à eau chaude. Faites très attention lors du réglage de la pression et de l'utilisation de la gâchette/lance à pression réglable, afin d'éviter les risques de brûlure.

INSTRUCTIONS D'UTILISATION

DÉLAI D'ARRÊT AUTOMATIQUE APRÈS INACTIVITÉ ET DÉMARRAGE/ARRÊT AUTOMATIQUE (HHS SEULEMENT):

Cet appareil équipé d'une fonction Délai d'Arrêt Automatique après inactivité et d'une fonction Démarrage/Arrêt Automatique. À changer de délai d'arrêt automatique après inactivité et démarrage/arrêt automatique voir schéma.

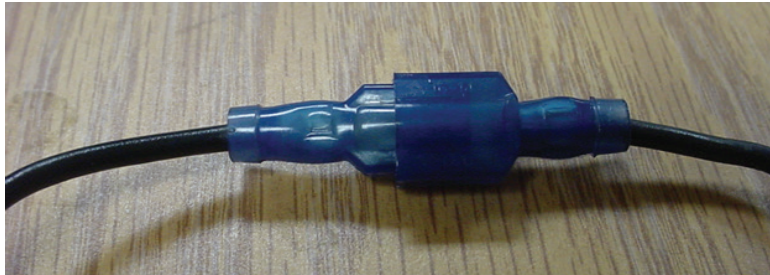
SCHÉMA DE CÂBLAGE



DÉLAI D'ARRÊT AUTOMATIQUE APRÈS INACTIVITÉ



DÉMARRAGE/ARRÊT AUTOMATIQUE



LAVAGE À LA VAPEUR (HHS SEULEMENT):

250° LAVAGE À LA VAPEUR (HX-0172, HX-0174 ET HX-0176)

1. Installez les Embout Vapeur.
2. Suivez les articles 1 à 9 de la section « Démarrage / Lavage à l'eau Froide ».
3. Réexaminez le système pour signes de fuite d'eau et de carburant. En cas de fuite, ARRÊTEZ L'APPAREIL IMMÉDIATEMENT !
4. Tournez le bouton du thermostat réglable à fond à droite. Lorsque le thermostat est réglé à une température inférieure, il est normal de voir le brûleur s'allumer par intermittence en cours d'opération. (Nota : Le thermostat réglable est un dispositif de limitation de température et non un contrôleur de température à proprement parler.)

Nota: L'eau sera brûlante au bout de 20 secondes après le démarrage initial de l'appareil et atteindra une température de vapeur au bout de 5 minutes environs, pourvu que la gâchette soit tenue appuyée. Le brûleur s'éteindra dès que la gâchette est relâchée.

INSTRUCTIONS D'UTILISATION

L'appareil est alors prêt à fonctionner en tant que nettoyeur haute pression à vapeur. Faites très attention lors du réglage de la pression et de l'utilisation de la lance afin d'éviter les risques de brûlure

HHB-303-0E1A MACHINE --NON CSA APPROUVER--

LAVAGE À VAPEUR :

1. Reportez-vous aux articles 1 à 7 de la section « Démarrage / Lavage à l'eau Froide ».
2. Mettez l'interrupteur en position 'ON' (Marche).
3. Réexaminez le système pour signes de fuites. En cas de fuite de carburant, **ARRÊTEZ L'APPAREIL IMMÉDIATEMENT !** Reportez-vous à la section « Risques d'Explosion ou d'Incendie ».

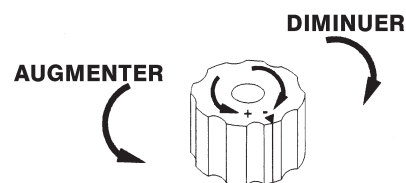
Nota : Lors du démarrage initial, l'eau sera chaude au bout d'une vingtaine de secondes et arrivera à température maximale dans à peu près cinq minutes et demi, pourvu que l'on maintien la gâchette appuyée. Le brûleur s'éteint dès que l'on lâche la gâchette.

A ce point, l'appareil sert de nettoyeur haute pression à eau chaude. Faites très attention lors du réglage de la pression et de l'utilisation de la gâchette/lance à pression réglable, afin d'éviter les risques de brûlure.

LAVAGE AUX DÉTERGENTS :

NOTA: Cet appareil est prévu exclusivement pour les produits de nettoyage non corrosifs. Vu que les produits de nettoyage traversent les diverses parties du nettoyeur haute pression, il ne faut pas utiliser de produits corrosifs, car outre le danger qu'ils représentent, ceux-ci provoqueront des dégâts importants.

1. Reportez-vous à la section « Risques de Blessure Corporelle/Détergents». N'oubliez pas de porter les dispositifs et vêtements de protection nécessaires suivant les indications de la p.34.
2. Préparez la solution détergente selon les indications de l'étiquette. (Ne jamais utiliser de produits acides, alcalins, solvants, ou abrasifs dans l'appareil. Vu les caractéristiques inconnues et souvent corrosives des nombreux détergents utilisés par l'industrie du nettoyage haute pression, il est conseillé d'utiliser exclusivement les détergents doux avec cet appareil.)
3. Immergez complètement la crépine du tuyau de relevage dans la solution détergente.
4. Réglez le débit du détergent en tournant le robinet d'alimentation de détergent [indiqué à droite] complètement à gauche pour un débit maximum.
5. Pour appliquer la solution, déverrouillez la gâchette et appuyez. Au bout de quelques instants, la solution d'eau et de détergent sortira de l'embout de la lance. Commencez par pulvériser la partie basse de la surface à nettoyer, en montant progressivement vers le haut à l'aide de grands balayages à recouvrement. L'application de bas en haut aide à réduire les coulures. Laissez pénétrer pendant quelques instants. Évitez de travailler sur les surfaces chaudes ou ensoleillées afin de minimiser les risques de séchage du détergent et donc, de la détérioration des surfaces. Appliquez la solution de nettoyage sur une petite surface à la fois.
6. Rinçage : Verrouillez la gâchette de la poignée pistolet (position 'OFF'). Fermez le robinet du distributeur de détergent en le tournant jusqu'à la position 'OFF'. Déverrouillez la gâchette de la poignée pistolet, puis aspergez pendant environs 30 secondes pour purger le détergent des canalisations. Les meilleurs résultats seront obtenus en rinçant de haut en bas.
7. Aspirez un gallon d'eau à travers le système d'injection de détergent après chaque utilisation. Cela évitera les problèmes mécaniques ultérieurs dus à la corrosion par les dépôts de détergent.



INSTRUCTIONS D'UTILISATION

ARRÊT:

1. Mettez de brûleur l'interrupteur à la position 'OFF' (ARRÊT). La pompe restera dessus.
2. Appuyez sur la gâchette et laissez couler l'eau pendant trois minutes afin de refroidir l'échangeur calorifique et les flexibles haute pression. (Faute de refroidissement suffisant, les flexibles haute pression risquent de s'user excessivement et, éventuellement, d'éclater.)



DANGER RISQUES D'INJECTION ET DE BLESSURES GRAVES !
-LE SYSTÈME 'MARCHE/ARRÊT AUTOMATIQUE' ASSURE LA DÉSACTIVATION DE L'APPAREIL JUSQU'À CE QUE L'ON APPUI À NOUVEAU SUR LA GÂCHETTE. IL EST CEPENDANT NÉCESSAIRE DE METTRE L'INTERRUPTEUR LA POSITION 'OFF' (ARRÊT) POUR METTRE L'APPAREIL HORS TENSION.
-ÉVITEZ LES DÉCHARGES HAUTE PRESSION ACCIDENTELLES EN SURVEILLANT L'APPAREIL TANT QUE SON INTERRUPTEUR N'EST PAS EN POSITION 'OFF' (ARRÊT).

3. Mettez l'interrupteur à la position 'OFF' (arrêt). (L'option 'Marche/Arrêt Automatique' désactivera l'appareil, mais il est cependant nécessaire de mettre l'interrupteur en position 'OFF' pour le mettre hors tension.)
4. Mettre l'interrupteur de principal en position de arrêter.
5. Fermez le robinet d'alimentation d'eau et appuyez sur la gâchette momentanément afin de libérer la pression résiduelle.
6. Déconnectez et vidangez le flexible haute pression, le pistolet et la lance à pression réglable. Essayez l'appareil avant de le ranger dans un endroit à l'abri du gel.

OPTIONS (HHS SEULEMENT):

VAPEUR - 250°F (121°C) (HX-0172/HX-0174/HX-0176):

L'option vapeur à 121°C fournit une production de vapeur humide de l'appareil. En utilisant la tuyère de vapeur incluse, la vapeur 121°C est obtenue. La bonne taille de la buse à vapeur est essentielle au bon fonctionnement de cette option.

TABLEAU D'ENTRETIEN

OPÉRATION	QUOTIDIEN	3 MOIS	6 MOIS	9 MOIS	12 MOIS
Examen du cordon électrique	X				
Essai du disjoncteur différentiel (selon les indications inscrites sur le disjoncteur)	X				
Vérification du niveau d'huile de la pompe à eau	X				
Dépistage visuel des fuites d'huile éventuelles	X				
Dépistage visuel des fuites de carburant éventuelles	X				
Dépistage visuel des fuites d'eau	X				
Examen visuel du flexible	X				
Examen des crépines	X				
Examen de l'embout haute pression	X				
Examen du filtre à carburant/séparateur d'eau	X				
Remplacement de l'huile de la pompe à eau **		X	X	X	X
Remplacement de l'embout haute pression***		X	X	X	X
Examen de la courroie		X	X	X	X
Vérification de réglage de l'arrivée d'air du brûleur		X	X	X	X
Vérification de la pression d'eau*		X	X	X	X
Vérification de la température d'eau*		X	X	X	X
Remplacement du filtre à carburant			X		X
Vérification de la pression d'arrivée du carburant*					X
Détartrage du serpentin****					X
Vérification de la tension/résistance de l'alimentation électrique*					X
Examen du filtre de la pompe à carburant*					X
Examen de électrodes du brûleur*					X
Remplacement de l'injecteur de carburant*					X

* Devrait être confié à un réparateur agréé.

** L'huile de la pompe doit être changée au bout de 50 heures de fonctionnement initial, puis à intervalles de 500 heures ou trois mois, le premier des deux prévalant.

*** L'embout haute pression doit être remplacé dès que la pression tombe à moins de 85%.

**** L'entartrage dépendra de la dureté de l'eau et de la fréquence d'utilisation. Les intervalles de détartrage peuvent varier d'une semaine à un an.

STOCKAGE & ENTRETIEN

ENTRETIEN QUOTIDIEN :

EXAMEN DU CORDON ÉLECTRIQUE : Débranchez l'appareil et examinez ses cordons d'alimentation pour signes de coupure. En cas de coupure, remplacez le cordon avant d'utiliser l'appareil.

ESSAI DU DISJONCTEUR DIFFÉRENTIEL : Lorsque applicable, testez le disjoncteur différentiel. Le processus d'essai varie selon chaque type de disjoncteur. Respectez les instructions imprimées sur le disjoncteur en question.

VÉRIFICATION DU NIVEAU D'HUILE DE LA POMPE À EAU : S'assurer que l'huile arrive jusqu'au repère 'FULL' (maxi) de la jauge ou jusqu'au centre de la fenêtre du réservoir d'huile. En cas de manque, faites l'appoint avec de l'huile à pompe SAE20 ou 30 non détergent.

DÉPISTAGE DES FUITES D'HUILE : Réparez immédiatement toute fuite d'huile éventuelle au niveau du système de pompage. Remplacez toutes pièces endommagées et réparez tous problèmes mécaniques avant de réutiliser l'appareil. Consultez le Service à la Clientèle si vous avez besoin d'assistance.

DÉPISTAGE DES FUITES DE CARBURANT : En cas de fuite de carburant, arrêtez l'appareil immédiatement ! Reportez-vous à la section 'Risques d'Explosion ou d'Incendie', p.29. Remplacez toutes pièces endommagées et réparez tous problèmes mécaniques avant de réutiliser l'appareil. Consultez le Service à la Clientèle si vous avez besoin d'assistance.

DÉPISTAGE DES FUITES D'EAU : Éliminez immédiatement toute fuite d'eau éventuelle au niveau du système de pompage en enlevant la pièce suspecte, en appliquant un produit d'étanchéité sur son filetage, puis en la réinstallant. Si vous employé du ruban à joints, faites attention de ne pas laisser entrer le ruban dans les canalisations afin d'éviter le colmatage de l'embout haute pression. Remplacez toutes pièces endommagées et réparez tous problèmes mécaniques avant de réutiliser l'appareil. Consultez le Service à la Clientèle si vous avez besoin d'assistance.

EXAMEN DU FLEXIBLE : Examinez le flexible haute pression pour signes de plissage, de coupure ou de fuite. En cas de coupure ou de fuite, **NE PAS UTILISER LE FLEXIBLE !** Remplacez-le avant de démarrer l'appareil. Reportez-vous à la section 'Risques d'Injection ou de Coupure Grave', p.30. Remplacez toutes pièces endommagées et réparez tous problèmes mécaniques avant de réutiliser l'appareil. Consultez le Service à la Clientèle si vous avez besoin d'assistance.

EXAMEN DES CRÉPINES : S'assurer que les crépines (A) sont propres et non obstruées. Le nettoyage régulier des crépines d'eau aide à limiter les problèmes de pompe. Lorsqu'une crépine devient obstruée, elle réduit le débit d'eau normal vers la pompe. Cela peut provoquer des cavitations qui entraîneront la défaillance prématurée des garnitures de pompe. Enlevez les crépines (A) pour les nettoyer ou, au besoin, les remplacer.

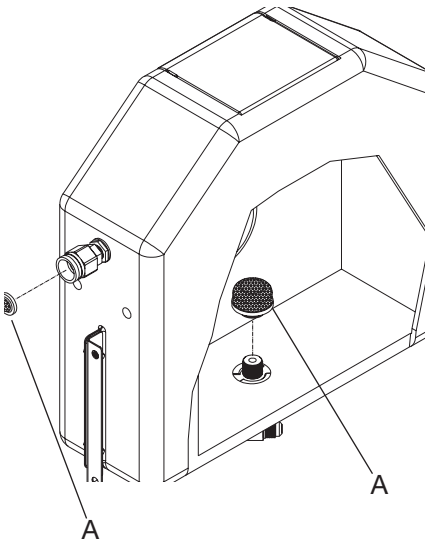
EXAMEN DES RACCORDS RAPIDES : Les joints toriques à l'intérieur des raccords rapides finiront par se dégrader. Pour réparer une fuite à ce niveau, installez tout simplement un nouveau joint torique dans le raccord. (Des joints toriques de rechange sont disponibles chez votre concessionnaire.)

EMBOU HAUTE PRESSION : Examinez l'embout haute pression pour signes d'usure ou d'obstruction. Nettoyez ou remplacez-le si nécessaire.

FILTRE À CARBURANT/ SÉPARATEUR D'EAU : Examinez le bol du filtre à carburant/séparateur d'eau pour signes d'accumulation d'eau. S'il y a de l'eau dans le filtre, dévissez le bouchon de vidange pour l'évacuer, puis revissez-le.

ENTRETIEN – TOUS LES 3 MOIS :

REPLACEMENT DE L'HUILE DE LA POMPE À EAU : Arrêtez et débran-



STOCKAGE & ENTRETIEN

chez l'appareil. Vidangez l'huile au bout de 50 heures de fonctionnement initial. Après la vidange initiale, il est conseillé de changer l'huile à intervalles de 3 mois ou 500 heures. Si l'huile devient sale ou laiteux, il sera peut-être nécessaire de raccourcir ces intervalles. Utilisez de l'huile de pompe SAE20 ou 30 non détergent et ne remplissez que jusqu'au milieu de la fenêtre de contrôle. NE PAS trop remplir.

REPLACEMENT DE L'EMBOUIT HAUTE PRESSION : L'orifice de l'embout finira par s'éroder en raison du débit d'eau haute pression, provoquant à terme une perte de charge. L'embout doit être remplacé dès que la pression d'eau tombe à moins de 85% de la valeur maximale. La fréquence de remplacement de l'embout dépendra de plusieurs variables, notamment la dureté de l'eau et le nombre d'heures d'utilisation.

EXAMEN DE LA COURROIE : Arrêtez et débranchez l'appareil. Ouvrez le panneau d'accès (3) en dévissant ses deux boutons de fixation. Ouvrez le tiroir de l'ensemble moteur/pompe. Examinez la courroie trapézoïdale pour signes d'usure et de détente. Le cas échéant, remplacez ou serrez la courroie de la manière suivante :

Remplacement :

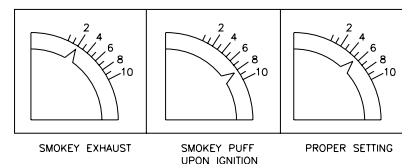
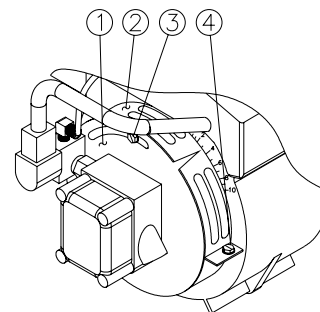
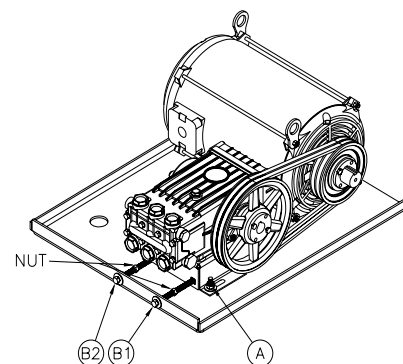
1. Desserrez les quatre boulons de fixation (A).
2. Desserrez les deux écrous d'alignement d'environ un pouce par rapport aux boulons d'alignement (B1 & B2).
3. Poussez la pompe vers le moteur pour détendre la courroie.
4. Remplacez la courroie.

Serrage : (Si la courroie n'a pas été remplacée, il sera nécessaire de desserrer les boulons B1 et B2 avant de procéder.)

1. Serrez le boulon d'alignement B2. La pompe se déplacera vers la gauche et tendra la courroie. Ensuite, serrez l'écrou du boulon B2.
2. Serrez le boulon d'alignement B1 jusqu'à ce que les poulies s'alignent. (Servez-vous d'une règle pour vérifier l'alignement.)
3. Appuyez sur la courroie trapézoïdale pour vérifier sa tension. Il devrait y avoir entre 1/4 et 1/2 pouce de flexion lorsque la tension est correcte.
4. Lorsque les poulies sont alignées et que la tension est correcte, resserrez l'écrou B1 et les quatre boulons de fixation (A).
5. Si la tension n'est pas correcte, répétez les étapes 6 et 7 jusqu'à obtenir l'alignement et la tension nécessaires. Serrez les quatre boulons de fixation (A) en fin d'opération.
6. Desserrez l'écrou B2, serrez le boulon B2, serrez l'écrou B2.
7. Desserrez l'écrou B1, serrez le boulon B1, serrez l'écrou B1.

RÉGLAGE DE L'ARRIVÉE D'AIR DU BRÛLEUR : Le registre a été réglé à l'usine pour assurer un bon fonctionnement entre le niveau de la mer et une altitude de 2.000 pieds dans les conditions standards (températures d'air et d'eau ambiantes de 60° F). Lors de températures plus froides ou d'altitudes plus élevées, il peut être nécessaire de régler l'arrivée d'air vers la chambre de combustion. Ce réglage permet d'optimiser l'efficacité du brûleur et d'éviter les consommations élevées et l'accumulation excessive de suie au niveau du serpentin de l'échangeur calorifique. Une analyse de fumée est conseillée lors de tout réglage de registre ou du carter d'arrivée d'air. Si un analyseur de fumé n'est pas disponible, procédez de la manière suivante :

1. L'appareil doit être en marche et le brûleur allumé.
2. Desserrez la vis de blocage (n° 3 à gauche) du registre.
3. Examinez l'échappement de l'échangeur calorifique pour signes de fumée. S'il n'y a pas de fumée, fermez progressivement le registre (n° 1 à gauche) en tournant le bouton à gauche jusqu'au repère inférieur. Continuez à tourner le bouton jusqu'à l'apparition de fumée.
4. Prenez note de ce point de réglage.



STOCKAGE & ENTRETIEN

5. Rouvrez le registre (n° 1 à gauche) de deux incréments. Exemple : si le registre était au repère 2, tournez-le jusqu'au repère 4.
6. Appuyez doucement sur la gâchette du pistolet à plusieurs reprises pour que le brûleur s'allume et s'éteigne en succession. Attendez-vous à une petite bouffée de fumée au moment de l'allumage du brûleur.
7. Répétez les étapes 5 et 6 jusqu'à ce qu'une bouffée de fumée apparaisse. Prenez note du réglage du registre.
8. La différence entre les réglages notés aux étapes 4 et 7 correspond à la plage de combustion. Tournez le bouton à mi-chemin entre ces deux repères.

NOTA : Si vous n'arrivez pas à obtenir les résultats voulus au niveau des étapes 3 et 7, il sera peut-être nécessaire d'augmenter ou de diminuer l'arrivée d'air pour atteindre la plage de combustion appropriée. Desserrez le boulon (n° 4 à gauche) et ouvrez le carter d'arrivée d'air (n° 2 à gauche) par incréments de 1/4 po. Répétez les étapes 3 à 8 jusqu'à obtenir la plage de combustion appropriée.

VÉRIFICATION DES PRESSIONS D'EAU ET DE CARBURANT : Ces contrôles devraient être confiés à un technicien agréé.

VÉRIFICATION DE LA PRESSION D'EAU : Cette opération devrait être confiée à un technicien agréé.

ENTRETIEN – TOUS LES 6 MOIS :

REPLACEZ LE FILTRE À CARBURANT : Suivez les instructions inscrites sur le filtre.

ENTRETIEN – TOUS LES 12 MOIS :

DÉTARTRAGE DU SERPENTIN : Une perte de pression peut signifier que le serpentin a besoin de détartrage. Effectuez cette opération régulièrement.

1. Mélanger la poudre solution non caustique / liquide dans le réservoir flottant selon les instructions du paquet.
2. Enlevez l'embout de la lance. Enveloppez la lance dans un bas en Nylon pour récupérer les débris, puis placez la lance dans le réservoir d'eau.
3. Mettez l'interrupteur à la position 'Pump' (pompe). L'eau circulera à travers le système puis reviendra au réservoir. Laissez l'eau circuler pendant 2 à 4 heures.
4. Mettez l'interrupteur à la position 'Off' (arrêt). Vidangez et nettoyez le réservoir d'eau. Enlevez le bas en Nylon de la lance, puis nettoyez la lance.
5. Rincez le système en entier avec de l'eau propre et fraîche, puis remontez l'embout de la lance.
6. Disposez de la solution de détartrage selon la réglementation en vigueur.

VÉRIFICATION DE TENSION ET DE RÉSISTANCE : Vérifiez la tension et la résistance d'alimentation de la machine à l'aide d'un voltmètre et d'un ampèremètre. Si vous ne possédez pas de tels instruments ou si vous ne savez pas vous en servir, confiez cette opération à un technicien agréé.

EXAMEN DU FILTRE INTERNE DE LA POMPE À CARBURANT : Cette opération devrait être confiée à un technicien agréé.

EXAMEN DES ÉLECTRODES DU BRÛLEUR : Cette opération devrait être confiée à un technicien agréé.

REPLACEMENT DE L'INJECTEUR : Cette opération devrait être confiée à un technicien agréé.

NETTOYAGE DE LA CRÉPINE D'ASPIRATION DU RÉSERVOIR DE CARBURANT : Cette opération devrait être confiée à un technicien agréé.

ENTRETIEN – SAISONNIER :

HIVÉRISATION : Il sera nécessaire d'hivériser cet appareil lors de son stock-

STOCKAGE & ENTRETIEN

age ou son transport par temps de gel. Il est impératif de protéger cet appareil contre le gel pour les raisons suivantes :

1. Toute présence de gel dans le système de pompage risque d'entraîner une surpression capable de faire éclater l'appareil et de mettre en danger l'utilisateur et les tiers.
2. Le système de pompage de cet appareil risque d'être endommagé de manière permanente en cas de gel. **LES DÉGÂTS PROVOQUÉS PAR LE GEL NE SONT PAS COUVERTS AU TITRE DE LA GARANTIE.**

Lorsqu'il est inévitable de stocker l'appareil dans un endroit exposé au gel (moins de 32°F), il est possible de le protéger en appliquant une des méthodes suivantes :

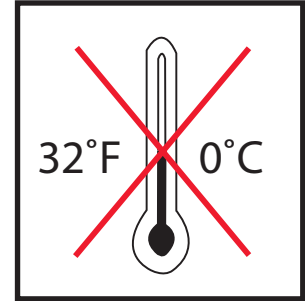
⚠ MISE EN GARDE RISQUES D'ÉCLATEMENT DE L'APPAREIL NE PAS STOCKER OU UTILISER L'APPAREIL PAR TEMPS DE GEL !

SOUFFLAGE À L'AIR COMPRIMÉ :

1. Enlevez l'embout de la lance. Appuyez sur la gâchette jusqu'à ce que l'eau cesse de s'écouler de la lance.
2. Raccordez un flexible à air comprimé au raccord de la crépine du réservoir d'eau.
3. Passez le système à l'air comprimé jusqu'à ce que toute eau ait été chassée du système.

SOLUTION ANTIGEL :

1. Versez un mélange à parties égales d'eau et d'antigel dans le réservoir d'eau.
2. Immergez la crépine à détergent dans de l'antigel pur.
3. Mettez l'interrupteur à la position 'Pump' (pompe). Laissez l'antigel siphonner à travers le système jusqu'à ce que le mélange s'écoule par la sortie. (La solution d'antigel doit s'écouler par la sortie pour assurer l'hivernisation du serpent. Rajoutez de l'antigel à 50% au réservoir d'eau si nécessaire.)



DÉPANNAGE

SYMPTÔME	CAUSE PROBABLE	REMÈDE
Le moteur de la pompe ne fonctionne pas.	Surcharge du circuit électrique.	Vérifiez le disjoncteur ou le fusible.
	Disjoncteur différentiel déclenché.	Réarmez-le.
	Surcharge du moteur.	Appuyez sur le bouton de réarmement sur le moteur de pompe ou dans le boîtier électrique.
	Système de démarrage/arrêt automatique activé.	Orientez la lance dans une direction hors danger, puis appuyez sur la gâchette.
L'eau ne sort pas de l'embout lorsqu'on appuie sur la gâchette.	Manque d'eau.	Vérifiez que le tuyau d'alimentation a un diamètre de 3/4 po et que le robinet d'alimentation est ouvert.
La pression est faible ou oscillante.	Tuyau d'alimentation d'eau plissé.	Éliminez le pli du tuyau.
	Flexible haute pression plissé.	Remplacez tout flexible haute pression plissé.
	Obstruction de la crépine d'arrivée d'eau.	Enlevez la crépine et nettoyez ou remplacez-la, « Alimentation d'eau »).
	Pompe désamorçée. (Amorçage perdu)	Resserrez les raccords d'arrivée d'eau. Éliminez les fuites au niveau du tuyau d'arrivée.
	Poignée de lance à pression réglable en mode 'basse pression'.	Tournez la poignée à gauche pour passer en mode 'haute pression'.
	Embout de lance obstrué ou usé.	Enlevez, puis nettoyez ou remplacez-le.
	Soupape de pompe endommagée ou obstruée.	Enlevez, puis nettoyez ou remplacez-le.
	Unloader/Bypass valve not operating correctly.	Repair or replace.
	Serpentin de l'échangeur calorifique entartré.	Détartrez le serpentin selon les indications.
De l'eau sort du détendeur thermique.	Température d'arrivée d'eau trop élevée.	La température maximale de l'eau à l'arrivée doit être inférieure à 125°F.
	Température d'eau trop élevée.	Ne laissez pas l'appareil tourner en mode 'by-pass' sans appuyer sur la gâchette pendant plus de cinq minutes.
	Détendeur défectueux.	Remplacez le détendeur.
L'huile paraît laiteuse ou moussante.	Présence d'eau dans l'huile.	Vidangez la pompe. Remplissez-la d'huile jusqu'au niveau approprié.
L'huile fuit de l'appareil.	Joints d'étanchéité ou joints toriques usés.	Consultez le Service à la Clientèle.
Le produit de nettoyage n'est pas aspiré par le siphon.	Crépine d'aspiration non complètement immergée dans la solution de détergent.	Vérifiez-la et immergez-la si nécessaire.
	Crépine d'aspiration obstruée.	Examinez, nettoyez ou remplacez-la.
	Crépine d'aspiration coupée, obstruée ou plissée.	Examinez, nettoyez ou remplacez-le.
	Réglage de dosage de détergent fermé.	Ouvrez le réglage, voir, « Nettoyage au Détergents ».
	Obturation de l'embout de lance.	Nettoyez ou remplacez-le.
	Bille et ressort de la crépine d'aspiration grippés.	Enlevez, nettoyez ou remplacez-les.
L'eau refoule dans le récipient à détergent.	Corrosion ou absence du clapet anti-retour de la crépine d'aspiration du détergent.	Enlevez, puis nettoyez ou remplacez-le.

DÉPANNAGE

SYMPTÔME	CAUSE PROBABLE	REMÈDE
De l'eau s'écoule de l'embout lorsque la gâchette est verrouillée (position 'OFF').	Anomalie au niveau de la gâchette.	Réparez ou remplacez-la.
L'eau s'écoule sous l'appareil.	Soupape de sécurité ouvert suite à une anomalie au niveau du détendeur ou du manostat.	1. Dépistez et réparez le problème au niveau du détendeur ou du manostat. 2. Remplacez la soupape de sûreté. NE JAMAIS faire tourner l'appareil sans soupape de sûreté. Cela pourrait provoquer une explosion !
Le brûleur ne s'allume pas.	Interrupteur défectueux.	Vérifiez le réglage de l'interrupteur ou remplacez-le.
	Thermostat réglable défectueux ou en position 'OFF' (arrêt).	Vérifiez le réglage de l'interrupteur ou remplacez-le.
	Coupure de courant.	Consultez le Service à la Clientèle.
	Manque de carburant.	Faites le plein.
	Obstruction de la crépine d'aspiration du réservoir à carburant.	Enlevez, puis nettoyez ou remplacez le tube.
	Gâchette relâchée.	Appuyez sur la gâchette pour rétablir la pression.
	Activation de la sûreté du manostat.	Il faut au moins 15 bars (250 PSI) de pression pour que le brûleur s'allume. (La pression doit être vérifiée par un technicien agréé.)
	Crépine d'aspiration de carburant obstruée.	Consultez le Service à la Clientèle.
	Température au-delà du réglage du thermostat.	L'appareil se rallumera automatiquement dès qu'il a refroidi.
	Activation de la sûreté de température excessive.	L'appareil se rallumera automatiquement dès qu'il a refroidi.
	Raccord flexible brisé.	Remplacez-le.
	Raccord flexible brisé.	Nettoyez ou remplacez-le, selon le cas.
	Filtre à carburant encrassé ou obstrué.	Serrez toutes les connexions d'arrivée de carburant. Éliminez les fuites au niveau des conduites d'arrivée.
	Désamorçage de la pompe à carburant.	Vérifiez la pression et remplacez-la si nécessaire. (La pression devrait être vérifiée par un technicien agréé.)
	Défaillance de la pompe à carburant.	Remplacez-le.
	Injecteur de carburant encrassé ou obstrué.	Réglez-le comme indiqué dans le manuel.
	Défaillance du transformateur d'allumage.	Remplacez-le.
	Mauvais réglage, détérioration ou usure des électrodes d'allumage.	Consultez le Service à la Clientèle.
	Défaillance de l'électrovanne d'alimentation.	Remplacez-le.
	Mode haute pression.	Vérifiez que l'interrupteur brûleur se trouve en position 'ON'.

DÉPANNAGE

SYMPTÔME	CAUSE PROBABLE	REMÈDE
Le moteur du brûleur ne fonctionne pas.	Interrupteur défectueux.	Vérifiez la position de l'interrupteur ou remplacez-le.
	Pas de tension électrique.	Consultez le Service à la Clientèle.
	Surcharge du moteur.	Réarmez-le une fois refroidi.
	Grippage de la pompe à carburant.	Laissez refroidir le moteur. Réparez-le ou remplacez-le au besoin.
Le brûleur fonctionne irrégulièrement.	Présence d'eau dans le carburant.	Vidangez le filtre à carburant/séparateur d'eau. Vidangez le réservoir de carburant, puis remplissez-le de carburant propre.
	Filtre à carburant/séparateur d'eau encrassé.	Remplacez l'élément.
	Crépine d'aspiration du carburant obstruée.	Consultez le Service à la Clientèle.
	Injecteur encrassé.	Remplacez-le.
	Mauvais réglage de l'arrivée d'air.	Réglez-le comme indiqué dans le manuel.
	Anomalie au niveau de la pompe à carburant.	Remplacez-la.
Le brûleur fonctionne, mais ne chauffe pas.	Manque de pression au niveau de la pompe à carburant.	Vérifiez la pression de la pompe à carburant, réglez ou remplacez-la si nécessaire. (La pression doit être vérifiée par un technicien agréé.)
	Injecteur encrassé.	Remplacez-le.
	Mauvais réglage de l'arrivée d'air.	Réglez-le comme indiqué dans le manuel.
Le brûleur dégage de la fumée blanche.	Manque de carburant.	Remplissez le réservoir. Si la fumée blanche persiste, consultez le Service à la Clientèle.
	Pression de carburant insuffisante.	Vérifiez la pression de la pompe à carburant, réglez ou remplacez-la si nécessaire. (La pression doit être vérifiée par un technicien agréé.)
	Crépine d'aspiration obstruée.	Consultez le Service à la Clientèle.
	Injecteur encrassé.	Remplacez-le.
	Mauvais réglage de l'arrivée d'air.	Réglez-le comme indiqué dans le manuel.
	Chambre de combustion froide au démarrage.	Réchauffez le brûleur pendant quelques minutes.
	Mélange trop pauvre.	Réglez-le comme indiqué dans le manuel.
Le brûleur dégage de la fumée noire.	Mélange trop riche.	Réglez-le comme indiqué dans le manuel.
	Orifice d'injecteur trop grand.	Installez l'embout approprié.
	Pression de carburant trop élevée.	Consultez le Service à la Clientèle.
	Chambre de combustion remplie de carburant.	Consultez le Service à la Clientèle.



DÉCLARATION DE GARANTIE

Le fabricant garantit l'ensemble des composants (à l'exclusion de ceux précisé plus loin) de votre nouveau nettoyeur haute pression HHS contre tous vices de matériel ou de main d'oeuvre pour les périodes suivantes :

Pour une vie de la congélation et de fendre:

Collecteur de la pompe

Pendant dix (10) ans à compter de la date d'achat initial :

la pompe haute pression (Pompe General seulement)

Pendant sept (7) années à partir de la date d'achat:

Pompe à haute pression (Pompe A R seulement)

Pendant Cinq (5) Ans à compter de la date d'achat initial :

Serpentin d'Échangeur Calorifique

Pendant Deux (2) Ans à compter de la date d'achat initial :

Châssis Tuyauteries

Carters et Protections Poulies

Pendant Un (1) An à compter de la date d'achat initial :

Commandes Électriques Cordon à Disjoncteur Différentiel

Contacteur de Démarrage Protection Surtension

Pendant Six (6) Mois à compter de la date d'achat initial :

Transformateur d'Allumage Moteur du Brûleur

Pendant Quatre-vingt dix (90) Jours à compter de la date d'achat initial :

Régulateur de Pression Électrodes

Commutateurs de Sécurité Vanne Électromagnétique (Carburant)

Pompe à Carburant

Pendant Trente (30) jours à compter de la date d'achat initial :

Flexible Haute Pression Poignée Pistolet

Crépines / Filtres Lance à Pression Réglable

Toutes pièces défectueuses qui ne sont pas assujettis à une usure ou une détérioration normale seront soit réparées, soit remplacées à notre seule discrétion durant la période de garantie. Dans tous les cas, tout remboursement sera limité aux prix d'achat acquitté.

EXCLUSIONS

1. Le moteur, qui bénéficie d'une garantie spéciale offerte par son fabricant, est assujetti aux conditions de cette garantie spéciale.
2. Pièces d'usure :

Garnitures de Pompe	Embouts de Lance
Clapets de Pompe	Robinets à Détergent
Filtres à Carburant	Raccords Rapides
3. Cette garantie ne couvre pas les pièces endommagées par suite d'usure normale, de mauvaise application ou d'abus de l'appareil, d'utilisation de l'appareil à des régimes, des pressions ou des températures autres que recommandé. Sont exclus de la garantie tous dégâts résultant de l'utilisation de solutions caustiques et de l'utilisation de l'appareil dans un milieu abrasif ou corrosif, ou sous conditions provoquant la cavitation de la pompe. Le non respect des consignes d'utilisation et d'entretien entraînera également l'annulation de la garantie.
4. L'utilisation de pièces de rechange autres que celles fournies entraînera l'annulation de la garantie. Toutes pièces renvoyées en port payé à notre usine ou à un Distributeur Agréé seront examinées et remplacées gratuitement lorsque celles-ci ont été trouvées défectueuses et qu'elles sont couvertes au titre de la garantie. Il n'existe aucune garantie qui s'étende au-delà des prévisions présentes. Le fabricant ne sera en aucun cas responsable des pertes de jouissance, des pertes de temps ou de location, des préjudices secondaires, préjudices commerciaux ou dommages indirects éventuels.

TABLA DE CONTENIDO

INTRODUCCIÓN	59
ADVERTENCIAS DE SEGURIDAD	60
RIESGO DE DESCARGA ELÉCTRICA.....	60
RIESGO DE EXPLOSIÓN O INCENDIO.....	60
RIESGO DE ASFIXIA	61
RIESGO DE INYECCIÓN O CORTADURA GRAVE.....	61
RIESGO DE QUEMADURAS	62
RIESGO DE REVENTÓN	62
RIESGO DE MOVIM. DE PZAS.	62
PUEDEN PRODUCIRSE LESIONES O LA MUERTE SI LOS DETERGENTES LLEGAN A TOCAR LA PIEL. ..	63
CARACTERÍSTICAS	64
LISTA DE CARACTERÍSTICAS	65
INSTALACIÓN Y PREPARACIÓN	66
PROTECCIÓN PERSONAL:	66
PREPARACIÓN:	66
ADAPTADOR SUPERPONIBLE OPTATIVO – INSTRUCCIONES DE VENTILACIÓN.....	66
CONEXIÓN DEL CABLE DE ALIMENTACIÓN ELÉCTRICA:	67
TANQUE DE COMBUSTIBLE DEL QUEMADOR:.....	68
CAÑA DOBLE DE PRESIÓN AJUSTABLE:.....	68
CONEXIÓN DE LA CAÑA DOBLE:	69
SUMINISTRO DE AGUA:.....	69
DESCARGADOR:	69
VÁLVULA DE DESCARGA TÉRMICA:	69
PROCEDIMIENTOS DE INSPECCIÓN PREVIOS AL ARRANQUE:	69
INSTRUCCIONES DE OPERACIÓN DE LA UNIDAD	72
LAVADO DEL SISTEMA:	72
ARRANQUE / APLICACIÓN DE AGUA FRIA:.....	72
APLICACIÓN DE AGUA CALIENTE:.....	73
APAGADO DE RETRASO DEL TIEMPO Y AUTO-ENCENDIDO / PARE (HHS SÓLO):	74
APLICACIÓN DE VAPOR (HHS SÓLO):	74
LIMPIEZA CON DETERGENTES:	75
APAGADO:	76
OPCIONES (HHS SOLAMENTE):	76
ALMACENAMIENTO Y MANTENIMIENTO	77
MANTENIMIENTO TRIMESTRAL:	78
MANTENIMIENTO SEMESTRAL:	80
MANTENIMIENTO ANUAL:	80
MANTENIMIENTO ESTACIONAL:	81
LOCALIZACIÓN Y CORRECCIÓN DE FALLAS	82
DECLARACIÓN DE GARANTÍA	85

⚠ ADVERTENCIA

⚠ **ADVERTENCIA:** Este producto puede exponerlo a productos químicos, incluido el plomo, que el Estado de California conoce a causar cáncer y defectos congénitos u otros daños reproductivos. Para obtener más información, visite www.P65Warnings.ca.gov

⚠ ADVERTENCIA

⚠ **ADVERTENCIA:** Este producto puede exponerle a químicos incluyendo carbon monoxide, que es conocido por el Estado de California como causante de defectos de nacimiento u otros daños reproductivos. Para mayor información, visite www.P65Warnings.ca.gov.

INTRODUCCIÓN

Le agradecemos la adquisición de la lavadora de chorro de agua caliente a presión la serie HHS. Cuente con la seguridad de que la lavadora se fabricó y diseñó otorgando prioridad a la calidad y el rendimiento. Cada componente ha sido probado rigurosamente para asegurar el más elevado nivel de aceptación.

El manual del operario se preparó para beneficio de usted. Mediante la lectura y puesta en práctica de las sencillas instrucciones de seguridad, instalación, operación, mantenimiento y detección de problemas descritas en el manual, la lavadora de chorro de agua caliente a presión la serie HHS le brindará muchos años de funcionamiento libre de problemas. El contenido de este manual está basado en la información disponible más reciente al momento de la publicación de aquél. El fabricante se reserva el derecho a cambiar el precio, color, materiales, equipo, especificaciones o modelos en cualquier momento sin previo aviso.

¡AVISO IMPORTANTE!

Estos párrafos están encerrados en un "CUADRO DE ALERTA DE SEGURIDAD". Dicho cuadro se utiliza para designar y destacar advertencias de seguridad que deben seguirse al operar esta lavadora de chorro a presión.

Junto a las advertencias de seguridad aparecen "palabras de señalización", las cuales indican el grado o nivel de la seriedad del peligro. Las "palabras de señalización" empleadas en este manual son las siguientes:

PELIGRO: INDICA UNA SITUACIÓN INMINENTEMENTE PELIGROSA LA CUAL, SI NO SE EVITA, PRODUCIRÁ LA MUERTE O LESIONES CORPORALES GRAVES.

ADVERTENCIA: INDICA UNA SITUACIÓN POTENCIALMENTE PELIGROSA LA CUAL, SIN NO SE EVITA, PODRÍA PRODUCIR LA MUERTE O LESIONES CORPORALES GRAVES.

PRECAUCIÓN: INDICA UNA SITUACIÓN POTENCIALMENTE PELIGROSA LA CUAL, SI NO SE EVITA, PODRÍA PRODUCIR LESIONES CORPORALES LEVES O MODERADAS.

Los símbolos mostrados a la izquierda son "Símbolos de alerta de seguridad". Estos símbolos se emplean para destacar elementos o procedimientos potencialmente peligrosos para usted u otras personas que utilicen este equipo.



SIEMPRE SUMINISTRE UN EJEMPLAR DE ESTE MANUAL A CUALQUIER PERSONA QUE USE ESTE EQUIPO. LEA TODAS LAS INSTRUCCIONES ANTES DE UTILIZAR LA LAVADORA DE CHORRO A PRESIÓN Y ESPECIALMENTE DESTAQUE LAS "ADVERTENCIAS DE SEGURIDAD" PARA EVITAR LA POSIBILIDAD DE QUE EL OPERARIO SUFRA LESIONES CORPORALES.

Una vez desempacada la unidad, de inmediato escriba el número de serie de la unidad en el espacio siguiente.

NÚMERO DE SERIE _____

Inspeccione la unidad para ver si hay daños obvios u ocultos causados durante el transporte. Si hay daños, presente de inmediato una queja a la compañía de transporte. Asegúrese de cambiar todas las piezas dañadas y de corregir todo problema de carácter mecánico y eléctrico antes de proceder a operar la unidad. Si necesita servicio, comuníquese con el departamento de servicio al cliente.

Sírvase tener a la mano la siguiente información al efectuar llamadas para solicitar servicio:

1. Número de modelo
2. Número de serie
3. Fecha y lugar de compra

ADVERTENCIAS DE SEGURIDAD

RIESGO DE DESCARGA ELÉCTRICA



Pueden producirse lesiones corporales graves o la muerte si no se conecta adecuadamente a tierra la lavadora de chorro a presión. La unidad trabaja mediante energía eléctrica y puede causar una descarga eléctrica o electrocución si no se usa debidamente.

Este producto debe estar conectado a tierra. Asegúrese de que la lavadora de chorro a presión esté equipada con un GFCI (interruptor accionado por falla de conexión a tierra). Si no lo tiene, la lavadora debe conectarse en un receptáculo protegido por un GFCI. Desconecte la unidad cuando no esté usándose.

Si la unidad está equipada con GFCI, NO deje caer éste, ya que podría dañarse. Si se deja caer por accidente el GFCI, asegúrese de probarlo para asegurarse de que trabaja correctamente. (Para el procedimiento de prueba, siga las instrucciones indicadas en el GFCI.)

Siempre asegúrese de que la unidad reciba el voltaje adecuado. Antes de enchufar la unidad en una línea de suministro de voltaje, la cual debe ser compatible, asegúrese de que esté en la posición de apagado (OFF). Desconéctela cuando no esté usándose.

No modifique la clavija eléctrica. Si no entra en la toma de corriente, permita que un electricista calificado instale una toma adecuada. No use ningún tipo de adaptador.

Revise el cordón eléctrico y vea si muestra señales de aplastamiento, cortaduras o daños de origen térmico. Si es necesario cambiar la clavija o el cordón, use exclusivamente piezas de repuesto idénticas.

No use cordones de extensión con esta lavadora de chorro a presión.

El cordón eléctrico puede causar una descarga eléctrica.

Mantenga secas y lejos del piso todas las conexiones. No permita que los cordones eléctricos estén en agua o en tal posición que el agua entre en contacto con ellos. No toque la clavija con las manos húmedas.

No tire del cordón eléctrico para desconectarlo de la toma de corriente.

NO dirija el chorro sobre ni dentro de instalaciones eléctricas de ninguna clase, como tomas de corriente, focos (bombillos), cajas de fusibles, transformadores, la unidad misma, etc.

NO permita que ningún componente metálico de la lavadora de chorro a presión entre en contacto con elementos electrificados.

Nunca utilice la lavadora a presión con las guardas o tapas desmontadas o dañadas.

Si no se opera debidamente la lavadora de chorro a presión puede ocurrir una descarga eléctrica.

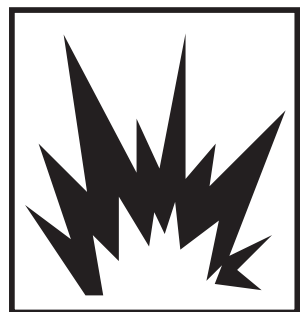
Toda conexión o reparación efectuada en la lavadora de chorro a presión debe ser realizada por el personal de servicio autorizado, de conformidad con los códigos eléctricos locales y nacionales.

Pueden producirse lesiones corporales graves o la muerte si personas no calificadas intentan efectuar reparaciones de tipo eléctrico.

Antes de abrir cualquier compartimiento eléctrico, siempre apague la lavadora de chorro a presión, purgue la presión y desconecte de la línea de suministro de voltaje la lavadora. Permita a la lavadora enfriarse. Nunca suponga que es seguro trabajar en la lavadora simplemente porque no está funcionando. ¡Puede arrancar en cualquier momento! Dele servicio en un área limpia, seca y plana.

RIESGO DE EXPLOSIÓN O INCENDIO

Pueden producirse lesiones corporales graves o la muerte debido al chispeo normal presente en las diferentes fuentes de ignición y en el escape del quemador.



ADVERTENCIAS DE SEGURIDAD

Siempre use la lavadora en un área bien ventilada libre de emanaciones inflamables, polvo combustible, gases y cualquier material combustible.

No almacene la lavadora cerca de una llama abierta ni de ningún equipo como estufa, horno, calentador de agua, etc., que cuente con lámpara indicadora o dispositivo de chispas.

¡No use esta lavadora para rociar material inflamable!

No fume mientras esté llenando el tanque de combustible del quemador.

Pueden producirse lesiones corporales graves o la muerte si se emplea un combustible inadecuado.

Nunca llene el tanque de combustible del quemador mientras la lavadora esté trabajando o esté caliente. Permítale enfriarse dos minutos antes de llenar el tanque.

No abastezca el combustible en un área mal ventilada.

Siempre abastezca lentamente el combustible para evitar derramarlo y causar un riesgo de incendio.

Tanque de combustible del quemador:

- Use keroseno, diesel o aceite combustible del No. 1 o No. 2.
- No use gasolina, aceite escurrido de la caja del cigüeñal ni aceite que contenga gasolina ni solventes.

No opere la unidad si hay combustible derramado. Limpie la lavadora y aléjela del combustible derramado. Evite crear todo tipo de ignición hasta que se haya evaporado el combustible.

Pueden producirse lesiones corporales graves o la muerte si no se mantiene debidamente el sistema de seguridad.

Esta lavadora de chorro a presión cuenta con un dispositivo de alivio de seguridad el cual jamás debe ser alterado, modificado, desmontado o inhabilitado. Si falla el dispositivo, cámbielo de inmediato por una pieza genuina de repuesto del fabricante.

RIESGO DE ASFIXIA

Pueden producirse lesiones corporales graves o la muerte si se inhalan las emanaciones provenientes del quemador u otras emanaciones peligrosas.

Nunca utilice esta lavadora de chorro a presión en un área encerrada. Siempre asegúrese de que haya ventilación adecuada (aire fresco del exterior) para la respiración y combustión. De esta manera se evita la acumulación de los peligrosos gases de monóxido de carbono. Esté consciente de áreas mal ventiladas o con ventiladores de extracción que pueden causar un mal intercambio de aire.

Siga todas las instrucciones de seguridad suministradas con los materiales a los que esté rociando. Puede ser necesario tener puesta una mascarilla de respiración para trabajar con ciertos materiales. No use esta lavadora de chorro a presión para aplicar detergentes peligrosos.

RIESGO DE INYECCIÓN O CORTADURA GRAVE

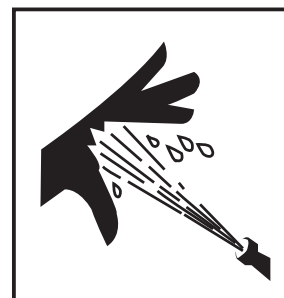
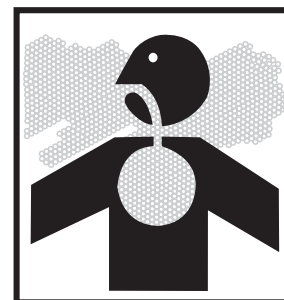
Pueden producirse lesiones corporales graves o la muerte si el rocío a alta presión penetra la piel.

¡Manténgase alejado de la boquilla y del chorro a presión. Nunca coloque la mano, dedos o cuerpo directamente en la boquilla de rociado.

Nunca apunte el chorro a alta presión a sí mismo ni a nadie más.

Este producto sólo debe emplearse por operarios capacitados. Es necesaria una estrecha supervisión si se utiliza cerca de los niños.

Siempre mantenga el área de trabajo despejada de personas.



ADVERTENCIAS DE SEGURIDAD

NO permita a los niños manejar esta unidad.

¡BUSQUE ASISTENCIA MÉDICA si el chorro parece haber penetrado la piel!
¡NO LO TRATE COMO UNA SIMPLE CORTADA!

Las mangueras de alta presión y conductos de combustible deben inspeccionarse diariamente para ver si muestran señales de desgaste. Si muestran señales evidentes de falla, cámbielos de inmediato para evitar toda posibilidad de lesiones causadas por el chorro a alta presión. Si tiene fugas una manguera o adaptador, NUNCA COLOQUE LA MANO DIRECTAMENTE EN LA FUGA.

NUNCA opere la pistola con el gatillo en la posición abierta. Para evitar toda descarga accidental, el gatillo debe bloquearse cuando no esté usándose la pistola.

Antes de desmontar la boquilla de rociado o de dar servicio a la unidad, SIEMPRE apague ésta y tire del gatillo para liberar toda presión atrapada. (Incluso después de apagar la unidad, hay alta presión acumulada en la bomba, manguera y pistola hasta que la libere tirando del gatillo.)

RIESGO DE QUEMADURAS

Pueden producirse lesiones graves si se toca el intercambiador de calor. Esta área puede permanecer caliente durante algún tiempo después de apagarse la lavadora de chorro a presión.

Nunca permita que ninguna parte del cuerpo toque el intercambiador de calor.

No deje desatendida la unidad después de apagarla hasta que se enfríe completamente según se describe en los procedimientos de la sección "APAGADO" de este manual.

RIESGO DE REVENTÓN

Pueden producirse lesiones graves si funciona mal la lavadora o si explotan accesorios, en caso de usarse componentes, aditamentos o accesorios inadecuados.

Nunca haga ajustes a las presiones fijadas en la fábrica.

Nunca se exceda de la presión nominal máxima permitida por el fabricante de los aditamentos.

No permita que ninguna manguera haga contacto con el intercambiador de calor para evitar el peligro de reventón de las mismas. Evite arrastrar las mangueras encima de superficies abrasivas como el cemento.

Use solamente piezas de repuesto recomendadas por el fabricante para la lavadora.

Pueden producirse lesiones graves o la muerte si se intenta arrancar la lavadora cuando está congelado el sistema de bombeo de la unidad.

A temperaturas de congelación, la unidad siempre debe estar a la suficiente temperatura para evitar la formación de hielo en la bomba. No arranque la lavadora si ha sido transportada en un vehículo abierto o a baja temperatura sin permitir calentarse primero al sistema de bombeo de la unidad.

RIESGO DE MOVIM. DE PZAS.

Pueden causarse lesiones graves al operario con las piezas móviles de la lavadora.

Nunca haga ajustes a la unidad mientras esté conectada a la línea de suministro de voltaje.

No opere la unidad sin las tapas protectoras puestas en su lugar.

Siga las instrucciones de mantenimiento especificadas en el manual.



ADVERTENCIAS DE SEGURIDAD

PUEDEN PRODUCIRSE LESIONES O LA MUERTE SI LOS DETERGENTES LLEGAN A TOCAR LA PIEL.

BUSQUE ATENCIÓN MÉDICA DE EMERGENCIA si está aplicando agentes limpiadores y el chorro parece haber penetrado la piel! NO TRATE LA LESIÓN COMO UNA SIMPLE CORTADA. Esté preparado para indicarle al doctor la clase de detergentes que estaba aplicando; para ello, lea la hoja de datos de seguridad del material (MSDS) correspondiente al detergente.

Nunca use ningún solvente, detergentes corrosivos ni limpiadores de tipo ácido con esta lavadora de chorro a presión.

Se recomienda ponerse equipo protector como traje de hule, guantes y mascarilla de respiración, especialmente al aplicar detergentes.

¡Mantenga todo detergente fuera del alcance de los niños!

SIEMPRE póngase gafas protectoras al operar la unidad para protegerse los ojos de la basura que sale despedida y detergentes.

NO dirija el chorro hacia materiales frágiles como el vidrio ya que pueden romperse.

Pueden producirse lesiones por la basura impulsada a alta velocidad por la pistola de rociado.

Esta lavadora de chorro a presión cuenta con un modo de arranque y paro automático, y se apaga hasta que vuelve a accionarse el gatillo. Para evitar una descarga accidental de chorro a alta presión, no deje desatendida la unidad mientras esté activado este modo.

Permanezca alerta de lo que está haciendo. No maneje la unidad si está fatigado o bajo los efectos del alcohol o drogas.

Pueden producirse lesiones si el operario pierde el equilibrio o debido al empuje del agua al circular por la boquilla de rociado.

NUNCA accione el gatillo si no lo tiene bien abrazado con el dedo.

NO extienda el cuerpo demasiado ni se pare en una base inestable.

Las superficies húmedas pueden estar resbalosas; póngase equipo antirresbalante en los pies, párese en forma sólida y mantenga un buen equilibrio.

NUNCA accione el gatillo mientras esté en una escalera o techo.

SIEMPRE sostenga firmemente el conjunto de la pistola y la caña al arrancar y operar la unidad. De lo contrario la caña puede caer y dar chicotazos peligrosamente.

Sepa bien cómo detener la lavadora de chorro a presión y cómo purgar las presiones con rapidez. Familiarícese bien con los controles.

NO deje desatendida la unidad si tiene presión. Apague la lavadora y libere toda presión acumulada antes de retirarse.

NO maneje la unidad si ve fugas de combustible, aceite o agua de la máquina. NO reanude el trabajo hasta que un técnico calificado de servicio haya inspeccionado y reparado la unidad.

Pueden producirse lesiones por la lavadora de chorro a presión.

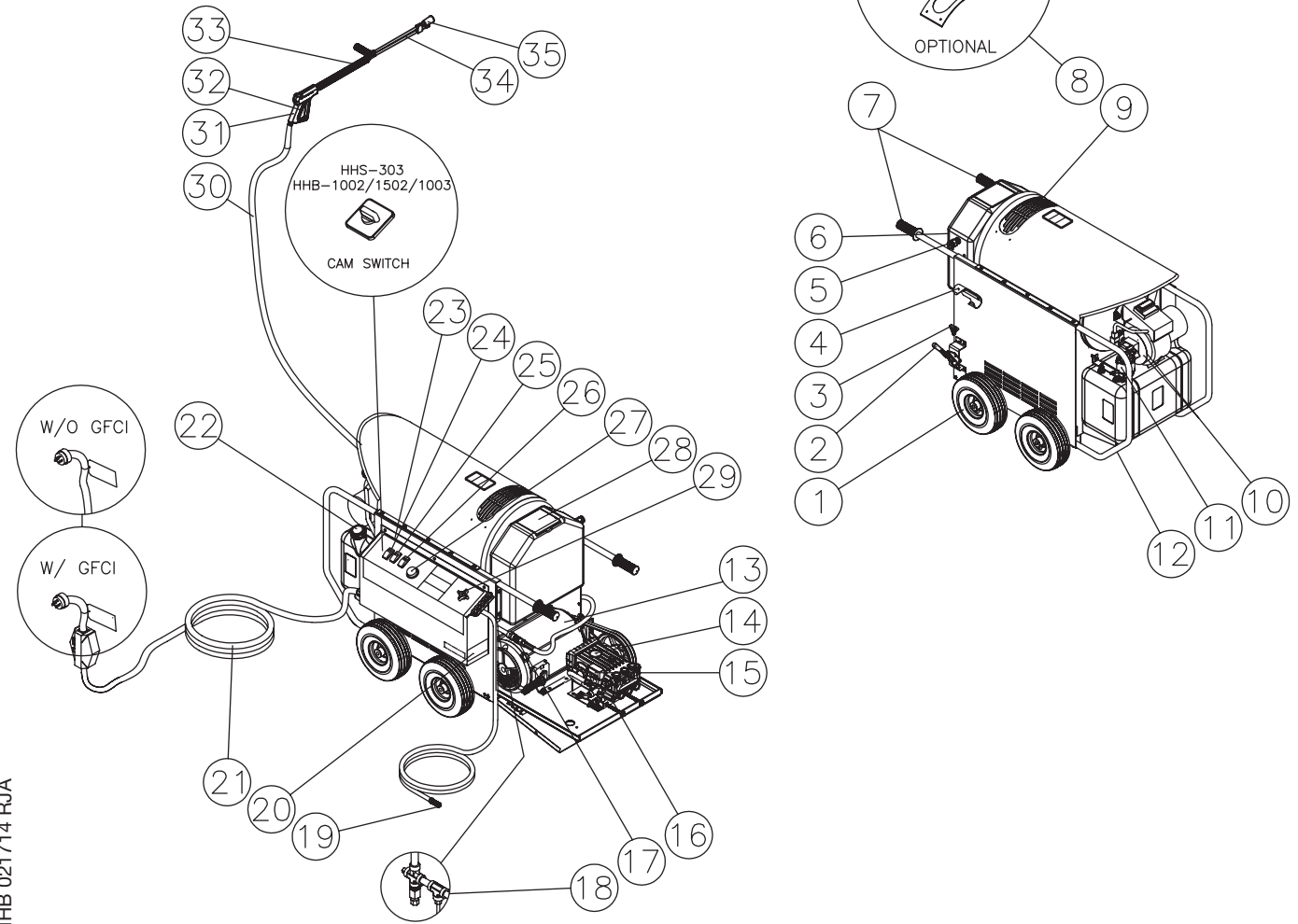
Para dar servicio a la unidad, colóquela en un área limpia, seca y plana. Antes de darle servicio a la unidad, apáguela, alivie la presión de la pistola y permita enfriarse a la unidad. Embrague el freno para evitar el movimiento de la unidad.

No tire de la manguera para mover la unidad.



¡GUARDE ESTAS INSTRUCCIONES!

CARACTERÍSTICAS



FEATURES HHS_HHB_021714 RJA

LISTA DE CARACTERÍSTICAS

1. Ruedas neumáticas
2. Freno
3. Tablero de acceso
4. Soporte de la caña
5. Entrada de agua
6. Tanque de agua con flotador
7. Mango de tirar y empujar con puño de hule
8. Juego de adaptadores superponibles (optativo)
9. Escape del intercambiador de calor
10. Ajuste de aire del quemador
11. Filtro de combustible
12. Jaula protectora del tanque de combustible y del quemador
13. Motor de la bomba
14. Bomba de alta presión
15. Interruptor de presión - Control del quemador
16. Descargador
17. Salida de agua
18. Válvula de alivio de seguridad
19. Colador de detergente
20. Calcomanía - Placa de datos
21. Cordón de alimentación eléctrica (con GFCI en 1002/1003 y 2004-1 Fase)
22. Tanque de combustible del quemador
23. Tablero de control
24. Interruptor - Bomba (o interruptor de leva)
25. Interruptor - Quemador
26. Interruptor - Principal
27. termostato ajustable
28. Colador de agua
29. Válvula dosificadora de detergente
30. Manguera de alta presión
31. Pistola de gatillo
32. Cerrojo de seguridad del gatillo
33. Caña aislada
34. Caña doble de presión ajustable
35. Boquilla de alta presión

INFORMACIÓN ESPECÍFICA DE LA UNIDAD

ARMAZÓN: Ejes de acero sólido, mango de tirar y empujar con puño de hule.

TRANSPORTABILIDAD: Cuatro ruedas neumáticas para facilitar el movimiento.

ACABADO: Bastidor con recubrimiento pulvimetalúrgico con intercambiador de calor de acero inoxidable.

MANGUERA DE ALTA PRESIÓN: 3/8" (9.6 mm) x 15 metros.

CONJUNTO DE LA PISTOLA DE GATILLO: Caña aislada controlada por gatillo, con cerrojo de seguridad.

CAÑA : Aislada, con presión ajustable.

INSTALACIÓN Y PREPARACIÓN



PROTECCIÓN PERSONAL:

Ponerse la protección personal adecuada es vital para la propia seguridad. Se recomienda utilizar lo que sea necesario para protegerse los ojos, oídos y piel. Es posible que se necesite aditamentos adicionales de seguridad (como la mascarilla de respiración) al aplicar agentes limpiadores detergentes con esta lavadora.

PREPARACIÓN:

⚠ PELIGRO ¡RIESGO DE EXPLOSIÓN O INCENDIO! NO COLOQUE LA UNIDAD DONDE PUEDA HABER VAPORES DE GASES INFLAMABLES. ¡UNA CHISPA PODRÍA CAUSAR UNA EXPLOSIÓN O INCENDIO!

⚠ ¡RIESGO DE REVENTÓN DE LA UNIDAD! ¡NO GUARDE NI OPERE LA UNIDAD A TEMPERATURAS DE CONGELACIÓN!

1. Esta unidad sólo debe colocarse en una superficie a nivel para asegurar una lubricación adecuada de la bomba de agua durante el funcionamiento. NUNCA rocíe agua directamente en la unidad.
2. No use la unidad en áreas:
 - a. sin suficiente ventilación.
 - b. donde haya techo de material combustible, a menos que haya instalados conductos de escape superponibles adecuadas.
 - c. donde existan señales de fugas de aceite o combustible.
 - d. donde pueda haber presencia de vapores de gases inflamables.
3. Asegúrese de embragar el freno para evitar el desplazamiento de la unidad durante su funcionamiento. Permita suficiente espacio alrededor de la unidad para facilitar el acceso.
4. No exponga la unidad a la lluvia, nieve o temperaturas de congelación. Si se congela alguna parte de la unidad, puede acumularse presión excesiva, la cual puede causar que revienta la unidad y se produzcan lesiones graves al operador y a los circunstantes.
5. Debe revisarse el nivel de aceite de la bomba. Asegúrese de que el aceite llegue a la marca de "lleno" de la vara de nivel o del centro de la mirilla de nivel del aceite. Si parece bajo el nivel, llene el tanque con aceite para bomba SAE20 o 30 non détergente.

ADAPTADOR SUPERPONIBLE OPTATIVO – INSTRUCCIONES DE VENTILACIÓN

⚠ ADVERTENCIA ¡RIESGO DE ASFIXIA! ¡SÓLO USE ESTE PRODUCTO EN ÁREAS BIEN VENTILADAS! EL ESCAPE CONTIENE MONÓXIDO DE CARBÓN, UN GAS TÓXICO, INODORO E INVISIBLE. LA INHALACIÓN DE ESTE GAS PUEDE CAUSAR LESIONES GRAVES, ENFERMEDADES Y HASTA LA MUERTE.

1. Solamente un técnico calificado en HVAC debe instalar esta unidad, y en el interior o en un entorno encerrado. Además, la ventilación debe cumplir todos los códigos locales, estatales y federales. Consulte las normas NFPA 31 y CAN/CSA B139-M91, donde corresponda.
2. Los gases del escape no deben liberarse en una pared, techo o espacio oculto de ningún edificio.
3. Debe utilizarse tubo de descarga de gases de combustión de 8" (20 cm) para accesorio adaptador superponible. El tubo de descarga debe mantenerse tan corto como sea posible y debe instalarse de manera que conserve una elevación continua hasta la chimenea. El número de codos debe mantenerse al mínimo posible para conservar la corriente de aire a presión del sistema y asegurar una buena combustión del combustible.

INSTALACIÓN Y PREPARACIÓN

4. Si la unidad va a instalarse en un cuarto cerrado, debe suministrarse al quemador una fuente adecuada de aire; para ello deben instalarse aberturas cerca del piso. Estas aberturas deben ser de una pulgada cuadrada (6.5 cm cuad.) por cada 1,000 BTU de entrada de la máquina. También, debe instalarse una abertura de ventilación cerca del techo. Esta abertura debe ser por lo menos del mismo tamaño que la abertura de suministro situada cerca del piso. Consulte las normas NFPA 31 y CAN/CSA B139-M91, donde corresponda.
5. Si el quemador está situado en un edificio de construcción muy apretada y no hay suficiente entrada de aire, debe suministrarse combustión en el exterior por algún otro medio. Un método de lograr esto es mediante una abertura permanente (o varias) en una pared exterior. El área total libre de las aberturas no debe ser inferior a una pulgada cuadrada (6.5 cm cuad.) por cada 5,000 BTU de entrada. Deben tenerse en consideración todos los aparatos. Consulte las normas NFPA 31 y CAN/CSA B139-M91, donde corresponda.

CONEXIÓN DEL CABLE DE ALIMENTACIÓN ELÉCTRICA:

⚠ PELIGRO ¡RIESGO DE ELECTROCUCIÓN! ESTA UNIDAD DEBE CONECTARSE A UNA TOMA DE CORRIENTE CON LA DEBIDA CONEXIÓN A TIERRA. NO USE NINGÚN ADAPTADOR NI ELIMINE EL CONTACTO DE TIERRA.

1. Ambos el interruptor debe estar en la posición de apagado (OFF).
2. La fuente de voltaje debe ser idéntica a las especificaciones indicadas en la placa de datos de la lavadora.
3. INSTRUCCIONES DE CONEXIÓN A TIERRA: Este producto debe estar conectado a tierra. Si algo funciona mal o se descompone, la conexión a tierra suministra un trayecto eléctrico de baja resistencia para la corriente y así se reduce el riesgo de una descarga eléctrica. Este producto dispone de cordón eléctrico con conductor a tierra para equipo. La clavija debe enchufarse en una toma de corriente adecuada que esté instalada y conectada a tierra según todos los códigos y reglamentos locales.

⚠ ADVERTENCIA ¡RIESGO DE ELECTROCUCIÓN! PARA REDUCIR EL RIESGO DE ELECTROCUCIÓN, MANTENGA TODAS LAS CONEXIONES SECAS Y LEJOS DEL PISO. NO TOQUE LA CLAVIJA CON LAS MANOS HÚMEDAS.

4. PELIGRO: Una conexión inadecuada del conductor a tierra para equipo puede originar un riesgo de electrocución. Consulte con un electricista o técnico de servicio calificados si no está seguro que la toma está conectada a tierra adecuadamente. No modifique la clavija; si no encaja bien en la toma de corriente, permita que un electricista calificado instale una toma correcta. No use ningún tipo de adaptador con este producto.
5. PROTECCIÓN DE INTERRUPTOR ACCIONADO POR FALLA DE CONEXIÓN A TIERRA:
 - a. MONOFÁSICA: Si esta lavadora de chorro a presión cuenta con Disyuntor con Descarga a Tierra, Clase A (GFCI) integrado en la clavija o en el cordón de alimentación eléctrica, pruebe el GFCI cada vez que la conecte a una toma, siguiendo las instrucciones del mismo. ¡NO use la lavadora si el circuito no pasa la prueba! El GFCI proporciona protección adicional contra el riesgo de descargas eléctricas. Si es necesario cambiar la clavija o el cordón, sólo use piezas de repuesto idénticas y que incluyan la protección de un Disyuntor con Descarga a Tierra, Clase A (GFCI).
 - b. MONOFÁSICA: Si esta lavadora de chorro a presión no cuenta con GFCI, sólo debe conectarse en un receptáculo protegido por Disyuntor con Descarga a Tierra, Clase A (GFCI) para cumplir con el Código Eléctrico Nacional (NFPA 70) y para proporcionar protección

INSTALACIÓN Y PREPARACIÓN

adicional contra el riesgo de descargas eléctricas. Esta protección GFCI debe ser parte del dispositivo de receptáculo o en el dispositivo de sobre corriente del circuito derivado que suministra el receptáculo.

- c. TRIFÁSICA: Estas lavadoras no vienen con protección de GFCI.
6. CORDONES DE EXTENSIÓN: ¡EL FABRICANTE NO RECOMIENDA EL USO DE CORDONES DE EXTENSIÓN! Si es inevitable el uso de un cordón de extensión, debe conectarse a un GFCI de la caja de fusibles o receptáculo con tal tipo de protección. Si va a usar un cordón de extensión, consulte a un electricista calificado para determinar la calibre de conductor adecuado necesario para la longitud del cordón de extensión.

MONOFÁSICA: Sólo use cordones de extensión de tres hilos y que tenga clavija de conexión a tierra de tres puntas y conector para cordón de tres polos que acepte la clavija del producto.

TRIFÁSICA: Sólo use cordones de extensión de cuatro hilos y conector para cordón de cuatro polos que acepte la clavija del producto.

Sólo use cordones de extensión para uso exterior. Tienen el rótulo "Aceptables para uso con aparatos de uso al aire libre; almacénese en el interior cuando no esté en uso." Sólo use cordones de extensión con especificaciones eléctricas superiores a las del producto. No use cordones de extensión dañados. Examine el cordón de extensión antes de usarlo y cámbielo si está dañado. No trate en forma abusiva el cordón de extensión ni tire del mismo para desconectarlo. Mantenga el cordón alejado del calor y de bordes afilados. Siempre conecte o desconecte el cordón de extensión del receptáculo antes de conectar o desconectar el producto del cordón de extensión.

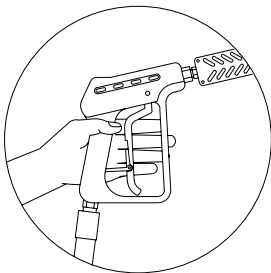
7. Debe mantenerse seca el área existente entre la lavadora de chorro a presión y la toma de corriente.
8. Inserte la clavija en una toma de corriente alterna (CA). ¡NO use adaptadores NI retire la clavija de conexión a tierra!!

TANQUE DE COMBUSTIBLE DEL QUEMADOR:

⚠ ADVERTENCIA ¡RIESGO DE EXPLOSIÓN O INCENDIO! SIEMPRE MANTENGA EL COMBUSTIBLE LEJOS DE LA LAVADORA CUANDO ÉSTA ESTÉ TRABAJANDO O CALIENTE.

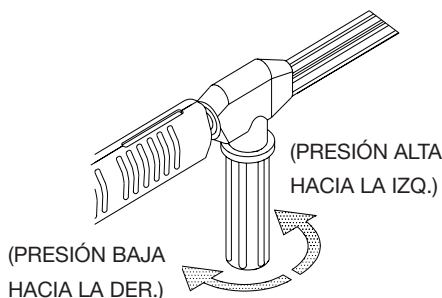
1. Estudie la sección "Riesgo de explosión o incendio" de la pág. 53 antes de abastecer el combustible.
2. Localice las calcomanías de seguridad de la unidad y preste atención a las advertencias.
3. Llene el tanque de combustible del quemador con keroseno, diesel o aceite combustible del No. 1 o No. 2. ¡No use gasolina!

⚠ PELIGRO ¡RIESGO DE INCENDIO! -¡NO FUME MIENTRAS LLENA EL TANQUE DE COMBUSTIBLE! -NO LLENE EL TANQUE MIENTRAS LA UNIDAD ESTÉ TRABAJANDO O CALIENTE. PERMÍTALE ENFRIARSE DOS MINUTOS ANTES DE ABASTECER EL COMBUSTIBLE. -NO LLENE EL TANQUE AL PUNTO DE REBOSAMIENTO.



CAÑA DOBLE DE PRESIÓN AJUSTABLE:

⚠ ADVERTENCIA ¡RIESGO DE INYECCIÓN CAUSANTE DE LESIÓN GRAVE! ¡SIEMPRE DEBE ASEGURARSE LA PISTOLA EN LA POSICIÓN CERRADA CUANDO NO ESTÉ EN USO! ¡NUNCA OBSERVE DIRECTAMENTE A LA BOQUILLA A MENOS QUE ESTÉ DESCONECTADA DEL CONJUNTO DE PISTOLA Y CAÑA DOBLE!



Esta unidad cuenta con caña doble de presión ajustable la cual permite al usuario seleccionar chorro de abanico de alta o baja presión. Simplemente gire el puño ajustable de la caña doble para lograr la presión deseada.

INSTALACIÓN Y PREPARACIÓN

1. La presión alta se selecciona girando el puño ajustable del conjunto de la caña doble hacia la izquierda como se muestra en la figura.
2. La presión baja se selecciona girando el puño ajustable del conjunto de la caña doble hacia la derecha como se muestra en la figura.

CONEXIÓN DE LA CAÑA DOBLE:

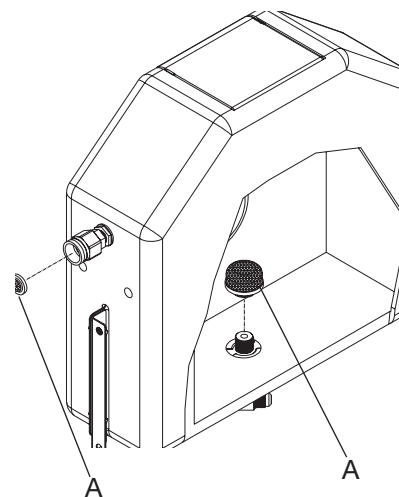
1. La pistola debe estar en la posición cerrada (OFF).
2. Conecte el conjunto de la pistola en este momento (si corresponde). La conexión debe estar firmemente apretada.

SUMINISTRO DE AGUA:

1. Seleccione una manguera de suministro de agua de buena calidad para jardín con diámetro interno mínimo de 3/4" (1.9 cm) y una longitud máxima de 15 metros.
2. Los coladores de agua (A) deben estar limpios y libres de toda obstrucción. Una limpieza periódica de los coladores contribuye a evitar problemas en la bomba. A medida que vaya obstruyéndose un colador, restringe el flujo de agua hacia la bomba. Esto puede producir cavitación, lo cual a su vez causa una descompostura prematura de la bomba. Desmonte los coladores (A) y límpielos o cámbielos.
3. Conecte un extremo de la manguera de suministro de agua a la entrada de agua (5) de la unidad. Conecte el otro extremo de la manguera al suministro presurizado de agua.

NOTA: Si hay un alto contenido de mineral en el agua, se recomienda usar un ablandador de agua para evitar la posibilidad de una acumulación excesiva de escama dentro del serpentín del intercambiador de calor.

4. Cumpla los requisitos de agua de entrada enumerados abajo:
 - a. La presión de agua debe estar entre 20 lb/pulg. cuad. (PSI) y 125 PSI.
 - b. El flujo de entrada (en GPM) debe ser aproximadamente un galón superior al flujo de salida (en GPM) indicado en la placa de la lavadora. (El flujo puede verificarse tomando el tiempo de llenado de un recipiente de 5 galones.)
 - c. La temperatura del agua de entrada no debe ser superior a 125° F (52° C). La bomba puede dañarse severamente si dicha temperatura se excede de este nivel aceptable.
5. Nunca permita que la unidad trabaje sin el conducto de agua de entrada conectado a la misma y el suministro abierto.



DESCARGADOR:

El descargador se configuró en la fábrica.

VÁLVULA DE DESCARGA TÉRMICA:

Para garantizar que la temperatura del agua no se exceda de niveles aceptables, nunca permita que la lavadora de chorro a presión trabaje en modo de desviación (con la unidad trabajando y el gatillo cerrado) durante más de cinco minutos.

Para proteger la bomba se ha incorporado una válvula de descarga térmica. La válvula se abre y libera agua si la temperatura de ésta en la bomba se ha excedido de 140° F (60° C). De esta manera se permite que entre agua fría al sistema, evitándose así la falla prematura de los empaques de la bomba.

PROCEDIMIENTOS DE INSPECCIÓN PREVIOS AL ARRANQUE:

Antes de arrancar la unidad, efectúe los siguientes procedimientos:

1. Inspeccione los cordones eléctricos para ver si tienen cortaduras. Si

INSTALACIÓN Y PREPARACIÓN

encuentra alguna, ¡EVITE TOCAR O USAR EL CORDÓN! Cambie el cordón antes de arrancar la unidad.

2. Revise el nivel de aceite de la bomba.
3. Inspeccione el filtro de entrada del agua. Límpielo o cámbielo si es necesario. Vea "Suministro de agua", #2.
4. Revise todas las conexiones de las mangueras y asegúrese de que estén firmemente apretadas.
5. Inspeccione el sistema para ver si hay fugas de agua, aceite y combustible. Si encuentra alguna fuga de combustible, ¡NO ARRANQUE LA UNIDAD! Vea "Riesgo de explosión o incendio". Asegúrese de cambiar toda pieza dañada y de corregir todo problema mecánico antes de arrancar la unidad. Si ésta requiere servicio, comuníquese con el departamento de servicio al cliente.
6. Inspeccione las mangueras de alta presión para ver si tienen torceduras, cortaduras o fugas. Si encuentra alguna cortadura o fuga, ¡NO USE LA MANGUERA! Cámbiela antes de arrancar la unidad. Vea "Riesgo de inyección o cortadura grave". Asegúrese de cambiar toda pieza dañada y de corregir todo problema mecánico antes de arrancar la unidad. Si ésta requiere servicio, comuníquese con el departamento de servicio al cliente.

⚠ ADVERTENCIA ⚠

**LAS SIGUIENTES PÁGINAS CONTIENEN INSTRUCCIONES DE OPERACIÓN Y
MANTENIMIENTO DE LA UNIDAD.**

**NO INTENTE USAR ESTA LAVADORA DE CHORRO A PRESIÓN SIN HABER LEÍDO Y
COMPRENDIDO TODAS LAS MEDIDAS DE PRECAUCIÓN E INSTRUCCIONES INDICADAS
EN ESTE MANUAL.**

¡¡EL EMPLEO INADECUADO DE ESTA UNIDAD PUEDE CAUSAR LESIONES GRAVES!!

¡NO ALTERE NI MODIFIQUE ESTE EQUIPO EN NINGUNA FORMA!

INSTRUCCIONES DE OPERACIÓN DE LA UNIDAD

LAVADO DEL SISTEMA:



PRECAUCIÓN RIESGO DE DAÑOS A LA UNIDAD. LA MANGUERA, PISTOLA Y CAÑA DOBLE NO DEBEN ESTAR CONECTADAS A LA UNIDAD MIENTRAS SE LAVA EL SISTEMA. EL LAVADO PERMITE ELIMINAR DEL SISTEMA LOS DEPÓSITOS MINERALES YA QUE PUEDEN OBSTRUIR O DAÑAR LA PISTOLA Y LA BOQUILLA, Y ASÍ CAUSAR COSTOSAS REPARACIONES.

Esta unidad cuenta con un serpentín de acero, el cual causa que se vuelva café o negra el agua sobrante en el mismo de la vez previa que se usó la unidad. Esta agua debe expulsarse del sistema antes de volver a arrancar la unidad. Este procedimiento debe efectuarse sin la manguera de alta presión ni el conjunto de la pistola ni la caña doble instalados.

1. Abra el suministro de agua.
2. Coloque el interruptor de la bomba en la posición "ON". Comienza a fluir agua a baja presión por la salida. Esto permite eliminar toda partícula presente en la unidad. La unidad se considera lavada cuando el agua aparece clara.
3. Una vez lavado el sistema, coloque el interruptor de la bomba en la posición "OFF" (apagado) y conecte la manguera de alta presión en la salida de agua de la unidad.
4. Conecte la pistola y el conjunto de la caña doble a la manguera de alta presión.

ARRANQUE / APLICACIÓN DE AGUA FRIA:

1. Consulte "Advertencias de seguridad", pág. 52 a 55, antes de arrancar la unidad.
2. Localice las calcomanías de seguridad de la unidad y lea las advertencias.
3. Asegúrese de que el interruptor de la bomba esté en la posición "OFF" (apagado).
4. Apunte la pistola en una dirección segura, desbloquee el gatillo y oprímalo. Prepárese para una posible patada de la pistola cuando arranque la bomba.
5. Interruptor de arranque ponga la posición encendido.
6. Coloque el bomba interruptor en la posición "ON".
7. Una vez que haya arrancado la bomba, efectúe los siguientes procedimientos con la pistola abierta:
 - a. Inspeccione el sistema para ver si hay fugas de agua, aceite o combustible. Si encuentra alguna fuga, ¡APAGUE DE INMEDIATO LA UNIDAD! Asegúrese de cambiar toda pieza dañada y de corregir todo problema mecánico antes de arrancar la unidad. Si ésta requiere servicio, comuníquese con el departamento de servicio al cliente.
 - b. Inspeccione las mangueras de alta presión para ver si tienen torceduras, cortaduras o fugas. Si encuentra alguna cortadura o fuga, ¡NO TOQUE LA MANGUERA EN EL PUNTO DE LA FUGA! ¡APAGUE DE INMEDIATO LA UNIDAD! Cambie la manguera antes de arrancar la unidad. Vea "Riesgo de inyección o cortadura grave", pág. 54. Asegúrese de cambiar toda pieza dañada y de corregir todo problema mecánico antes de arrancar la unidad. Si ésta requiere servicio, comuníquese con el departamento de servicio al cliente.
8. En este momento, la unidad está trabajando como lavadora de chorro a presión de agua fría. Oprima el gatillo varias veces y ajuste la presión del agua; para ello, gire el mango de la caña doble. ¡NUNCA coloque las manos ni los dedos enfrente de la boquilla ni vea directamente hacia dentro de la boquilla! ¡El agua a alta presión significa un riesgo de lesión grave!



PELIGRO ¡RIESGO DE INYECCIÓN CAUSANTE DE LESIÓN GRAVE! -¡MANTÉNGASE ALEJADO DE LA BOQUILLA! NUNCA

INSTRUCCIONES DE OPERACIÓN DE LA UNIDAD

COLOQUE LA MANO NI LOS DEDOS ENFRETE DE LA BOQUILLA! -¡NO DIRIJA EL CHORRO A LAS PERSONAS O ANIMALES! -ESTE PRODUCTO DEBE SER USADO SÓLO POR OPERARIOS CAPACITADOS. -LA CARACTERÍSTICA DE ARRANQUE Y PARO AUTOMÁTICOS APAGA LA LAVADORA HASTA QUE SE OPRIME EL GATILLO. PARA EVITAR UNA DESCARGA ACCIDENTAL DEL CHORRO, NO DEJE LA UNIDAD DESATENDIDA MIENTRAS ESTÉ EN ESTE MODO.

9. No permita que la unidad trabaje en modo de desviación (con el gatillo cerrado) durante más de cinco minutos sin oprimir el gatillo. Con el incumplimiento de esta sencilla regla puede causarse la falla prematura de los empaques de la bomba, y costosas reparaciones.

⚠ PRECAUCIÓN RIESGO DE DAÑOS. NO PERMITA QUE EL CHORRO PERMANEZCA EN LA MISMA ÁREA DURANTE UN PERÍODO PROLONGADO. PUEDEN CAUSARSE DAÑOS A LA MISMA.

NOTA: Esta unidad está equipada de una característica de arranque y paro automáticos, y se apaga si no se oprime el gatillo después de un lapso prefijado de tiempo. La lavadora vuelve a arrancar una vez que se oprime el gatillo. La característica de arranque y paro automáticos se configura en la fábrica para apagar la unidad a los 90 segundos. Un técnico de servicio calificado puede ajustarla para apagar la unidad por falta de uso, desde un mínimo de 3 segundos hasta un máximo de 5 minutos.

10. La lavadora de chorro a presión puede producir un chorro de alta presión y una variedad de patrones de rociado con agua fría. Si desea aplicar agua caliente, vapor o detergentes, efectúe los siguientes procedimientos.

APLICACIÓN DE AGUA CALIENTE:

⚠ ADVERTENCIA ¡RIESGO DE QUEMADURAS! LA TEMPERATURA DEL AGUA PUEDE SER EXTREMADAMENTE ELEVADA DURANTE LA APLICACIÓN DE AGUA CALIENTE O VAPOR. SEA PRECAVIDO AL AJUSTAR LA PRESIÓN O AL CONTROLAR EL CONJUNTO DE LA PISTOLA Y CAÑA DOBLE.

1. Siga los pasos 1 al 9 descritos en "Arranque / Aplicación de agua fría."
2. Coloque el interruptor de la quemador en la posición "ON" y gire el termostato ajustable hasta la temperatura deseada.
3. Vuelva a revisar el sistema para ver si hay fugas de combustible. Si encuentra alguna fuga de combustible, ¡APAGUE DE INMEDIATO LA UNIDAD! Vea "Riesgo de explosión o incendio".

Nota: En el arranque inicial, el agua comienza a calentarse en 20 segundos aproximadamente y llega a su temperatura máxima en 2-1/2 minutos aproximadamente, siempre y cuando el gatillo permanezca oprimido. El quemador deja de trabajar al soltarse el gatillo.

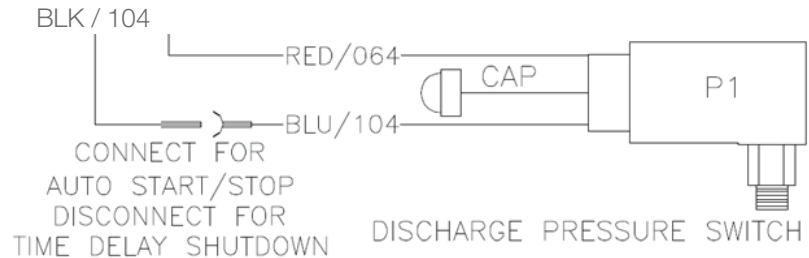
En este momento la unidad trabaja como lavadora de chorro a presión de agua caliente. Sea extremadamente precavido al ajustar la presión y al controlar el conjunto de la pistola y la caña doble para evitar posibles quemaduras.

INSTRUCCIONES DE OPERACIÓN DE LA UNIDAD

APAGADO DE RETRASO DEL TIEMPO Y AUTO-ENCENDIDO / PARE (HHS SÓLO):

Esta unidad haber Apagado de Retraso del Tiempo e auto-encendido / pare. Para cambiar entre apagado de retraso del tiempo e auto-encendido / pare diagrama ver.

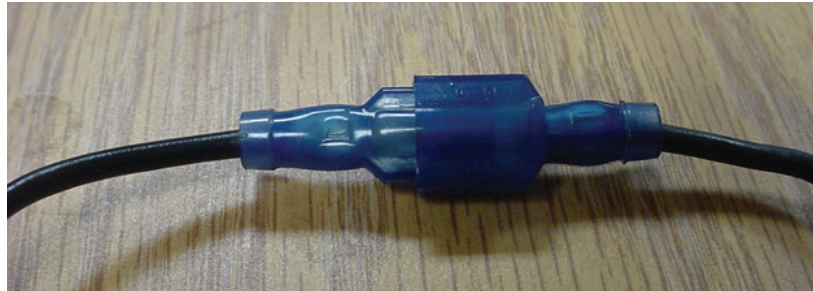
DIAGRAMA DE CABLEADO



APAGADO DE RETRASO DEL TIEMPO



AUTO ENCENDIDO/PARE



APLICACIÓN DE VAPOR (HHS SÓLO):

250 GRADO DE VAPOR OPCIÓN (HX-0172, HX-0174, HX-0176)

1. Instale de la boquilla para vapor.
2. Siga los pasos 1 al 9 de "Arranque / Aplicación de agua fría."
3. Vuelva a revisar el sistema para ver si hay fugas de agua o combustible. Si encuentra alguna fuga, ¡APAGUE DE INMEDIATO LA UNIDAD!
4. Gire el termostato ajustable hacia la derecha hasta el ajuste máximo. Si desea un ajuste más bajo del termostato, es normal que el quemador dé ciclos (trabaja intermitentemente) al aplicar el chorro. (Nota: El termostato ajustable es un dispositivo de límite superior y no regula la temperatura.)

Nota: En el arranque inicial, el agua comienza a calentarse en 20 segundos aproximadamente y alcanza la temperatura de vapor en 5 minutos aproximadamente, siempre y cuando el gatillo permanezca oprimido. El quemador deja de trabajar cuando se libera el gatillo.

INSTRUCCIONES DE OPERACIÓN DE LA UNIDAD

En este momento la unidad trabaja como lavadora de chorro a presión de vapor. Sea extremadamente precavido al ajustar la presión y al controlar el conjunto de la pistola y la caña doble para evitar posibles quemaduras.

HHB-303-0E1A MÁQUINA ---QUE NO CSA ACREDITAR---

APLICACIÓN DE VAPOR:

1. Siga los pasos 1 al 7 descritos en "Arranque / Aplicación de agua fría."
2. Coloque el interruptor en la posición estar encendido.
3. Vuelva a revisar el sistema para ver si hay fugas de combustible. Si encuentra alguna fuga de combustible, ¡APAGUE DE INMEDIATO LA UNIDAD! Vea "Riesgo de explosión o incendio".

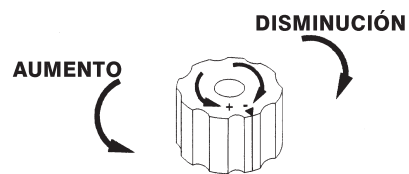
Nota: En el arranque inicial, el agua comienza a calentarse en 20 segundos aproximadamente y llega a su temperatura máxima en 5 minutos aproximadamente, siempre y cuando el gatillo permanezca oprimido. El quemador deja de trabajar al soltarse el gatillo.

En este momento la unidad trabaja como lavadora de chorro a presión de agua caliente. Sea extremadamente precavido al ajustar la presión y al controlar el conjunto de la pistola y la caña para evitar posibles quemaduras

LIMPIEZA CON DETERGENTES:

NOTA: Esta característica es sólo para detergentes suaves. Puesto que la solución limpiadora circula a través de varias partes de la lavadora de chorro a presión, no use corrosivos ya que causan extensos daños y además significan un peligro considerable a la seguridad.

1. Consulte "Riesgo de lesiones / Detergentes", pág. 55. Siempre póngase la necesaria protección personal, como se indica en la pág. 58.
2. Prepare la solución detergente según las instrucciones de la etiqueta. (Nunca bombee ácidos, álcalis, fluidos abrasivos o solventes a través de la unidad. Debido a las características desconocidas y las corrosivas de numerosos detergentes encontrados en el ramo de limpieza con lavadoras de chorro a presión, se recomienda usar sólo detergentes suave con esta unidad.)
3. Sumerja completamente el extremo del filtro de la manguera de vinilo transparente para el detergente en la solución de éste.
4. Ajuste la cantidad deseada de detergente; para ello, gire la válvula dosificadora de detergente (36) [mostrada a la derecha] completamente hacia la izquierda para ajustarla al flujo máxima de detergente.
5. Para aplicar la solución, desbloquee el gatillo y oprima éste. En unos cuantos momentos, comenzará a salir una mezcla de detergente y agua por la boquilla. Comience a rociar la parte inferior de la superficie y vaya ascendiendo, con movimientos largos superpuestos. La aplicación de abajo hacia arriba ayuda a evitar dejar rayas. Permita que la superficie se remoje un poco. Evite trabajar en superficies calientes o directamente bajo los rayos del sol para reducir al mínimo la posibilidad de que se seque el detergente, lo cual puede causar daños en las superficies. Asegúrese de aplicar la solución limpiadora en una pequeña área a la vez.
6. Para enjuagar la superficie, deje bloqueado el gatillo en la posición "OFF" (apagado). Gire la válvula dosificadora de detergente en la posición "OFF" (apagado). Desbloquee el gatillo y comience a rociar. Se toma 30 segundos aproximadamente purgar del conducto todo el detergente. Para lograr un enjuagado óptimo, comience por la parte superior y vaya descendiendo.
7. Aspire un galón de agua a través del sistema de inyección de detergente. Así se evita el peligro de corrosión y de que el residuo de detergente cause problemas mecánicos en la siguiente aplicación.



INSTRUCCIONES DE OPERACIÓN DE LA UNIDAD

APAGADO:

1. Ponga el interruptor de la quemador esté en la posición "OFF" (apagado). La bomba permanecerá encendido.
2. Oprima el gatillo y descargue agua durante un lapso de tres minutos para enfriar el intercambiador de calor y la manguera de alta presión. (Aplicar un lapso insuficiente de enfriamiento a la manguera de alta presión causa un desgaste excesivo de la misma y finalmente la ruptura de la misma.)



**PELIGRO ¡RIESGO DE INYECCIÓN CAUSANTE DE LESIÓN GRAVE!
-LA CARACTERÍSTICA DE ARRANQUE Y PARO AUTOMÁTICOS APAGA LA LAVADORA HASTA QUE SE OPRIME EL GATILLO. PARA EL APAGADO TOTAL SE REQUIERE PONER EL INTERRUPTORES EN LA POSICIÓN "OFF" (APAGADO). -PARA EVITAR UNA DESCARGA ACCIDENTAL DEL CHORRO DE ALTA PRESIÓN, NO DEJE DESATENDIDA LA UNIDAD HASTA QUE EL INTERRUPTORES EN LA POSICIÓN "OFF" (APAGADO).**

3. Ponga el interruptor en la posición "OFF". (La función de arranque y paro automáticos apaga la unidad, pero para el apagado total se requiere poner el interruptor en la posición "OFF".)
4. Interruptor de arranque ponga la apagado a la posición.
5. Cierre el suministro de agua y accione la pistola para liberar toda presión atrapada.
6. Desconecte y drene la manguera de alta presión, la pistola y la caña doble. Limpie la unidad y guárdela en un lugar a una temperatura superior a la de congelamiento.

OPCIONES (HHS SOLAMENTE):

VAPOR - 250°F (HX-0172/HX-0174/HX-0176):

La opción de vapor de 250°F provee salida de vapor mojado de la unidad. Usando la boquilla de vapor que se incluye, se puede obtener vapor de 250°F. El tamaño de boquilla de vapor es crítico para operación adecuado de la opción.

ALMACENAMIENTO Y MANTENIMIENTO

TABLA DE MANTENIMIENTO

PROCEDIMIENTO	DIARIAMENTE	3 MESES	6 MESES	9 MESES	12 MESES
Inspeccionar el cordón eléctrico	X				
Probar el GFCI (según las instrucciones del mismo).	X				
Rev. nivel ac. bomba agua	X				
Inspección visual para fuga de aceite	X				
Inspección visual para fuga de comb	X				
Inspección visual para fuga de agua	X				
Inspección visual de la manguera	X				
Inspección de filtro de agua	X				
Inspección boquilla de alta presión	X				
Inspección filtro comb./separ. agua	X				
Cambiar ac. bomba agua **		X	X	X	X
Cambiar boquilla alta presión***		X	X	X	X
Inspeccionar banda		X	X	X	X
Revisar ajuste aire quemador		X	X	X	X
Probar presión de agua*		X	X	X	X
Probar temperatura de agua*		X	X	X	X
Cambiar filtro de combustible			X		X
Probar presión de combustible*					X
Descalcarización de serpentín****					X
Probar voltaje y consumo de corr.*					X
Inspeccionar filtro bomba combust*					X
Revisar electrodos del quemador*					X
Cambiar boquilla de combustible*					X

* Sólo técnicos de servicio autorizados.

** La bomba de aceite debe cambiarse después de las primeras 50 horas de trabajo y cada 500 horas o 3 meses, lo que suceda primero.

*** Debe cambiarse la boquilla de alta presión cada vez que la presión sea inferior al 85%.

**** La acumulación de escama calcárea varía según el contenido de minerales del agua e intensidad de uso. La descalcarización puede efectuarse desde cada semana hasta cada año.

ALMACENAMIENTO Y MANTENIMIENTO

MANTENIMIENTO DIARIO:

INSPECCIÓN DEL CORDÓN ELÉCTRICO: Desconecte la unidad de la línea suministro de voltaje e inspeccione los cordones eléctricos para asegurarse de que no tengan cortaduras. Si se encuentra una, cambie el cordón antes de arrancar la unidad.

PROBAR EL GFCI: Si corresponde, pruebe el GFCI. La prueba varía según cada GFCI en particular. Siga las instrucciones del GFCI que se trate.

REVISAR EL NIVEL DE ACEITE DE LA BOMBA DE AGUA: Asegúrese de que el aceite llegue a la marca "FULL" (lleno) de la vara de nivel o de la mirilla de nivel. Si el aceite parece estar bajo, llene el tanque de aceite con aceite SAE20 o 30 non détergente.

INSPECCIÓN PARA FUGAS DE ACEITE: Si encuentra una fuga en el sistema de bombeo, repárela de inmediato. Asegúrese de cambiar toda pieza dañada y de corregir todo problema mecánico antes de arrancar la unidad. Si ésta requiere servicio, comuníquese con el departamento de servicio al cliente.

INSPECCIÓN PARA FUGAS DE COMBUSTIBLE: Si encuentra una fuga, ¡apague de inmediato la unidad! Vea "Riesgo de explosión o incendio", pág. 53. Asegúrese de cambiar toda pieza dañada y de corregir todo problema mecánico antes de arrancar la unidad. Si ésta requiere servicio, comuníquese con el departamento de servicio al cliente.

INSPECCIÓN PARA FUGAS DE AGUA: Si encuentra una fuga en el sistema de bombeo, repárela de inmediato; para ello, retire toda pieza que parezca mal, aplique sellador a las roscas y vuelva a instalar las piezas. Si usa cinta de teflón, asegúrese de que no entre en la tubería para evitar la posibilidad de que tape la boquilla de rociado. Asegúrese de cambiar toda pieza dañada y de corregir todo problema mecánico antes de arrancar la unidad. Si ésta requiere servicio, comuníquese con el departamento de servicio al cliente.

INSPECCIÓN DE LA MANGUERA: Inspeccione las mangueras de alta presión para ver si tienen torceduras, cortaduras o fugas. Si encuentra alguna cortadura o fuga, ¡NO USE LA MANGUERA! Cámbiela antes de arrancar la unidad. Vea "Riesgo de inyección o de lesión grave por cortadura". Asegúrese de cambiar toda pieza dañada y de corregir todo problema mecánico antes de arrancar la unidad. Si ésta requiere servicio, comuníquese con el departamento de servicio al cliente.

INSPECCIÓN DE LOS COLADORES DE AGUA: Asegúrese de que los coladores de agua (A) estén limpios y libres de obstrucciones. Una limpieza periódica de los coladores de agua evita la aparición de problemas en la bomba. Cuando se obstruye un colador, restringe el flujo de agua a la bomba. Esto puede producir cavitación, la cual a su vez puede originar la falla prematura de los empaques de la bomba. Retire los coladores de los filtros (A), y límpielos o cámbielos.

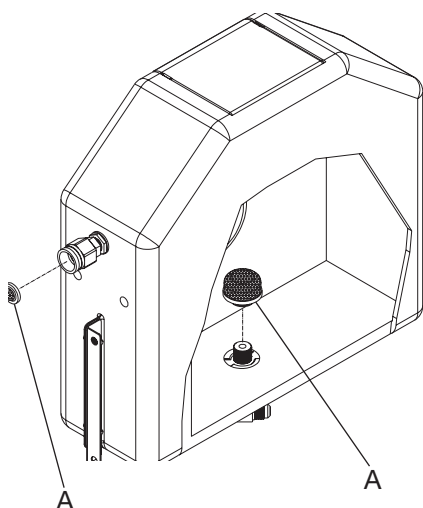
INSPECCIÓN DE LOS ACOPLADORES RÁPIDOS: Hay sellos de aro tórico dentro de los acopladores, los cuales se deterioran. Para cambiarlos, simplemente instale un aro tórico en el lugar de la fuga. (Pueden adquirirse aros tóricos adicionales con el distribuidor.)

BOQUILLA DE ALTA PRESIÓN: Inspeccione la boquilla para ver si está desgastada o tiene obstrucciones. Límpiela o cámbiela si es necesario.

FILTRO DE COMBUSTIBLE / SEPARADOR DE AGUA: Inspeccione el tazón del filtro de combustible / separador de agua para ver si tiene acumulación de agua. Si hay agua, abra la válvula de drenaje del tazón para drenar el agua, y luego ciérrela.

MANTENIMIENTO TRIMESTRAL:

CAMBIAR EL ACEITE DE LA BOMBA DE AGUA: Asegúrese de que esté apagada y desconectada la unidad. Cambie el aceite de la bomba después



ALMACENAMIENTO Y MANTENIMIENTO

de las primeras 50 horas de funcionamiento. Después del cambio inicial, se recomienda hacerlo a intervalos de 3 meses o de 500 horas. Si parece sucio o lechoso el aceite, puede ser necesaria una mayor frecuencia de cambio. Use aceite para bomba SAE20 o 30 non détergente y llene sólo el tanque hasta el centro de la mirilla de nivel. NO lo llene excesivamente.

REEMPLAZAR LA BOQUILLA DE ALTA PRESIÓN: El flujo de agua a través de la boquilla de rociado erosiona el orificio y lo agranda, lo cual causa una pérdida de presión. Deben cambiarse boquillas cada vez que la presión sea inferior al 85% de la máxima. La frecuencia de cambio depende de variables como el contenido de minerales del agua y la cantidad de uso de la boquilla.

INSPECCIÓN DE LA BANDA. Asegúrese de que la unidad está apagada y desconectada. Abra el tablero de acceso; para ello, destornille las perillas laterales que sujetan el tablero en su lugar. Extraiga el conjunto del motor y bomba. Inspeccione la correa en "V" para ver el desgaste y la tensión. Si es necesario cambiar o apretar la correa, efectúe el procedimiento indicado abajo.

Cambio:

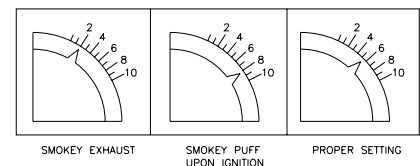
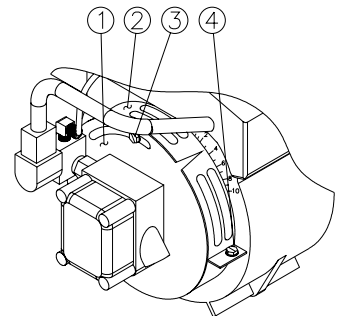
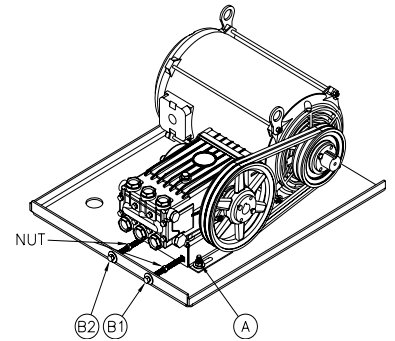
1. Afloje los cuatro tornillos de montaje de la bomba (A).
2. Afloje las tuercas de los tornillos de alineación (B1 y B2) una pulgada (2.5 cm) aprox.
3. Deslice la bomba hacia el motor para aflojar las correas.
4. Retire y cambie la correa.

Apriete: (Si no cambió la correa, va a necesitar aflojar las tuercas de los tornillos de alineación (B1 y B2) antes de proseguir.)

1. Apriete el tornillo de alineación B2. La bomba se desplaza hacia la izquierda hasta que haya tensión en la correa. Después apriete la tuerca B2.
2. Apriete el tornillo de alineación B1, hasta que queden alineadas ambas poleas. (Use una regla para la alineación.)
3. Oprima la correa para verificar la deflexión y la tensión. Debe haber una deflexión de 1/4" (6 mm) a 1/2" (12 mm) si la tensión está correcta.
4. Si están alineadas las poleas y está correcta la tensión, apriete la tuerca B1 y los cuatro tornillos de montaje de la bomba (A).
5. Si no está correcta la tensión, repita los pasos 6 y 7 hasta lograr la alineación y la tensión correctas. Apriete los cuatro tornillos de montaje (A) al terminar.
6. Afloje la tuerca B2, apriete el tornillo B2 y luego apriete aquélla.
7. Afloje la tuerca B1, apriete el tornillo B1 y luego apriete aquélla.

AJUSTE DE AIRE DEL QUEMADOR: La compuerta de aire del quemador está ajustada en la fábrica para un funcionamiento adecuado entre el nivel del mar y a una altitud de 600 metros sobre el nivel del mar en condiciones normales (temperatura ambiente del agua y aire a 60° F / 16° C). A temperaturas inferiores o alturas mayores, puede ser necesario ajustar el suministro de aire a la cámara de combustión. Este ajuste sirve para aumentar al máximo la eficiencia del quemador y evitar un funcionamiento ineficiente o la acumulación de hollín en el serpentín del intercambiador de calor. Se recomienda efectuar una prueba de mancha de humo durante todo ajuste de la compuerta del aire y de la correa. Si no cuenta con el equipo necesario para efectuar dicha prueba, efectúe el procedimiento siguiente.

1. La máquina debe estar trabajando y el quemador encendido.
2. Afloje el tornillo fijador (#3, izq.) de la compuerta.
3. Revise para ver si hay humo proveniente del escape del intercambiador de calor. Si no hay humo presente, lentamente cierre la compuerta del aire (#1, izq.); para ello, gire el selector hacia la izquierda, a un número inferior. Continúe girando el selector hasta que aparezca humo.



ALMACENAMIENTO Y MANTENIMIENTO

4. Anote este valor.
5. Abra la compuerta del aire (#1, izq.) dos incrementos. P, ej., si la compuerta del aire estaba en el 2, póngala en el 4.
6. Lentamente apriete y afloje el gatillo. Esto causa que el quemador se encienda y se apague. Busque una bocanada de humo al encenderse el quemador.
7. Repita los pasos 5 y 6, hasta que observe salir una bocanada de humo. Anote el ajuste de la compuerta del aire.
8. La diferencia existente entre los ajustes anotados en los pasos 4 al 7 es el intervalo de combustión. Fije el selector a medio camino entre estos dos valores.

NOTA: Si no puede detectar uno de los ajustes en el paso 3 o 7, es posible que sea necesario más aire para lograr un intervalo de combustión adecuado. Afloje el tornillo (#4, izq.) y abra la banda de aire (#2, izq.) en incrementos de 1/4". Repita los pasos 3 al 8 hasta lograr un intervalo de combustión adecuado.

PRUEBA DE PRESIÓN DEL AGUA Y DEL COMBUSTIBLE: Estos procedimientos sólo deben ser efectuados por un técnico de servicio autorizado.

PRUEBA DE TEMPERATURA DEL AGUA: Estos procedimientos sólo deben ser efectuados por un técnico de servicio autorizado.

MANTENIMIENTO SEMESTRAL:

CAMBIAR EL FILTRO DE COMBUSTIBLE: Siga las instrucciones especificadas en el filtro de combustible para cumplir con los procedimientos correctos.

MANTENIMIENTO ANUAL:

DESCALCARIZACIÓN DEL SERPENTÍN: Una pérdida de presión puede significar que necesita descalcarizarse el serpentín. Efectúe periódicamente este procedimiento.

1. Mezcle el polvo no descalcado cáustica o una solución en el tanque de flotación de acuerdo a las instrucciones del paquete.
2. Retire la boquilla de la caña. Coloque una media de nailon sobre el conjunto de la caña para recoger toda basura, y luego coloque el conjunto de la caña en el tanque de flotador.
3. Ponga el interruptor en la posición "Pump" (bomba). El agua circula a través del sistema y regresa al tanque de flotador. Permita que la circulación continúe de 2 a 4 horas.
4. Gire el interruptor a la posición "OFF" (apagado). Drene y limpie el tanque de flotador. Retire la media de nailon y limpie el conjunto de la caña.
5. Lave todo el sistema con agua dulce limpia y luego vuelva a colocar la boquilla en el conjunto de la caña.
6. Deseche la solución de descalcación según los reglamentos locales, estatales y nacionales.

PROBAR VOLTAJE Y CONSUMO DE CORRIENTE: Con un voltímetro y un amperímetro pruebe la máquina para ver el voltaje y el amperaje. Si no cuenta con estos instrumentos, o no sabe como usarlos, entonces este procedimiento debe ser efectuado por un técnico de servicio autorizado.

INSPECCIONAR EL FILTRO INTERNO DE LA BOMBA DE COMBUSTIBLE: Este procedimiento debe ser efectuado por un técnico de servicio autorizado.

REVISAR LOS ELECTRODOS DEL QUEMADOR: Este procedimiento debe ser efectuado por un técnico de servicio autorizado.

CAMBIAR LA BOQUILLA DEL COMBUSTIBLE: Este procedimiento debe ser efectuado por un técnico de servicio autorizado.

LIMPIAR EL COLADOR DE LA ENTRADA DE RECOGIDA DE COMBUSTIBLE: Este procedimiento debe ser efectuado por un técnico de servicio autorizado.

ALMACENAMIENTO Y MANTENIMIENTO

MANTENIMIENTO ESTACIONAL:

ACONDICIONAMIENTO PARA BAJAS TEMPERATURAS: Para propósitos de almacenamiento y transportación a temperaturas inferiores a la de congelación, es necesario acondicionar esta unidad. Debe protegerse para las más bajas temperaturas posibles, por las siguientes razones:

1. Si se congela alguna pieza del sistema de bombeo, puede acumularse una presión excesiva en la unidad, lo cual puede causar un reventón de la unidad y las posibles consecuentes lesiones tanto del operario como de los circunstantes.
2. Si se congela el sistema de bombeo de esta unidad, puede quedar permanentemente dañado. **LOS DAÑOS POR CONGELACIÓN NO ESTÁN CUBIERTOS POR LA GARANTÍA.**

Si debe almacenar la unidad en un área en la que la temperatura pueda descender más allá de 32° F (0° C), puede proteger la unidad siguiendo uno de los procedimientos descritos abajo.

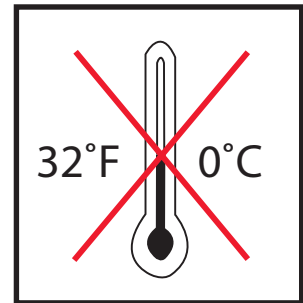
⚠️ ADVERTENCIA RIESGO DE REVENTÓN ¡NO ALMACENE NI UTILICE LA UNIDAD A TEMPERATURAS DE CONGELACIÓN!

SOPLADO CON AIRE:

1. Retire la boquilla del conjunto de la caña. Oprima el gatillo hasta que cese de salir agua por el conjunto de la caña.
2. Conecte un adaptador para aire de una manguera de aire al accesorio del colador del tanque de flotador.
3. Circule aire comprimido por el sistema para eliminar del mismo toda el agua presente.

SOLUCIÓN ANTICONGELANTE:

1. Vierta una mezcla de agua y anticongelante al 50/50 en el tanque de flotador.
2. Coloque el colador del detergente en una solución de anticongelante al 100%.
3. Ponga el interruptor en la posición "Pump" (bomba). Permita que el anticongelante se introduzca en el sistema hasta que salga solución de anticongelante por la salida. (Para asegurarse de que el serpentín esté acondicionado para bajas temperaturas, la solución de anticongelante debe salir por la salida. Agregue una mezcla al 50/50 al tanque de flotador si es necesario.)



LOCALIZACIÓN Y CORRECCIÓN DE FALLAS

PROBLEMA	POSIBLE CAUSA	SOLUCIÓN
No trabaja el motor de la bomba.	Circuito sobrecargado.	Revise el disyuntor de pared o fusible.
	Se disparó el GFCI.	Restablézcalo
	Sobrecarga del motor.	Restablezca el botón de sobrecargatérmica del motor de la bomba o dentro del tablero de control eléctrico.
	Arranque / paro automático activado.	Apunte la pistola en una dirección segura y oprima el gatillo.
No hay descarga en la boquilla y al oprimirse el gatillo.	Insuficiente suministro de agua.	La mang. debe tener 3/4" de diám. el suministro de agua de entr. abierto.
Presión baja o fluctuante.	Torcedura en la mang. de entr. de agua.	Elimine la torcedura.
	Torcedura en la mang. de desc. de pres.	Cambie la manguera de alta presión.
	Colador de entr. de agua obstruido.	Retire los colad. y limpie o cámbielos. Vea Suministro de agua".
	La bomba chupa aire. (No hay cebado)	Apriete las conex. de entr. de agua Elimine fugas en el cond. de entr.
	El mango ajustable de la caña doble no está en modo de alta presión.	Gire el mango a la izq. para ponerlo en alta presión.
	Boquilla obstruida o desgastada.	Retírela y límpiela o cámbiela.
	Válvula de bomba dañada u obstruida.	Retírela y límpiela o cámbiela.
	El descargador o la válv. de desviación no trabajan bien	Cambie los empaques.
	Escama en el serp. del interc. de calor.	Descalcarícelo según en manuales.
Fuga de agua en la válv. de desc. térm.	Temp. de la entr. de agua muy alta.	La temp. del agua de entr. debe ser inferior a 125° F (52° C).
	Temperatura del agua muy alta.	No deje a la unidad trabajar en modo de desviación (con la pistola cerrada) más de 5 minutos.
	Válvula defectuosa.	Cámbiela.*
Aceite lechoso o espumoso.	Hay agua en el aceite.	Cambie el aceite de la bomba. Llénela al nivel adecuado.
Fuga de aceite en la unidad.	Sellos o aros tóricos desgastados.	Hable al dep. de servicio al cliente.
No circula el detergente.	El colador del detergente no está bien sumergido en la soluc. detergente.	Revíselo y sumérjalo bien.
	Colador del deterg. obstruido.	Inspecciónelo y límpiela o cámbiela
	Mang. del deterg. cortada o torcida.	Inspecciónela y límpiela o cámbiela.
	Perilla de ajuste de deterg. está en la posición cerrada.	Abra la perilla. Consulte, "Limpieza con detergentes".
	Boquilla atascada.	Límpiela o cámbiela.
	La bola y el resorte del colador del detergente se pegaron.	Retírelos y límpielos o cámbielos.

LOCALIZACIÓN Y CORRECCIÓN DE FALLAS

PROBLEMA	POSIBLE CAUSA	SOLUCIÓN
El agua regresa al recipiente del detergente.	La válv. de retención del colador del deterg. falta o está corroída.	Retírela y límpiela o cámbiela.
Fluye agua de la boquilla cuando se bloquea la pistola en la posición "OFF" (de apagado).	Está funcionando mal la pistola.	Repárela o cámbiela.
Fuga de agua bajo la unidad.	El disposit. de alivio de seguridad está trabajando debido a una falla del descargador o intrrpt. de presión.	1. Detecte y arregle el descarg. o el intrrpt. de presión. 2. Cambie el disposit. de alivio. NUNCA use la unidad sin disp. de alivio de seg.; ¡puede causar una explosión!
No enciende el quemador.	Intrrpt. defectuoso o no está en la posición "Burner" (quemador).	Verifique la posición del intrrpt. o cámbielo.
	Está defectuoso el termost. ajust.33) o en la posición "Off" (apagado).	Verifique la posición del intrrpt. o cámbielo.
	No hay voltaje.	Hable al dep. de servicio al cliente.
	Sin combustible.	Abastezca el combustible.
	Colador tubo entr. tanque comb. obstr.	Retire el tubo y límpielo o cámbielo.
	Está cerrada la pistola.	Abra la pistola para dar presión.
	Intrrpt. de presión inhabilitado.	La presión debe ser sobre 250 PSI/ 15 Bar para que encienda el quemad.(La pres. debe ser verificada por un técnico de servicio autorizado.
	Colador de recogida de combust. obstr.	Hable al dep. de servicio al cliente.
	Temp. arriba del valor del termostato.	La unidad caliente automat. al enfriarse.
	Acción del intrrpt. lím. sup.	La unidad caliente automat. al enfriarse.
	Acoplador flexible roto.	Cámbielo.
	Filtro de combust. sucio o atascado.	Drénelo o cámbielo según sea nec.
	La bomba de combust. chupa aire.	Apriete las conex. de entr. de comb. Elimine las fugas del cond. de entr.
	No trabaja la bomba de combust.	Verif. la pres., cámbiela si es nec. (La pres. debe ser verificada por un técnico de servicio autorizado.)
	Boquilla de comb. sucia o atascada.	Cámbiela.
	Mal ajuste de aire del quemador.	Ajústelo como se explica en el manual.
	Falla del transf. de ignición.	Cámbielo.
	Los electr. de ignición no están bien, puestos o están dañados o desgastados.	Hable al dep. de servicio al cliente.
	Falla de la válv. de solenoide del comb.	Cámbiela.
	En modo de alta presión.	Verifique que interruptor de la hornilla esté en la posición de "on".
No trabaja el motor del quemador.	Interruptor defectuoso o no está en la posición "Burner" (quemador).	Verifique la posición del interruptor o reemplácelo.
	No hay voltaje.	Contact Customer Service.
	Sobrecarga del motor.	Restablézcalo cuando se enfríe.
	Se agarró la bomba de combustible.	Permita enfriarse al motor. Repárela o cámbiela.

LOCALIZACIÓN Y CORRECCIÓN DE FALLAS

PROBLEMA	POSIBLE CAUSA	SOLUCIÓN
El quemador trabaja erráticamente.	Hay agua en el aceite combustible.	Drene el filtro de comb./sep. de agua Drene el tanque de comb., y ponga combustible limpio.
	Filtro de comb./sep. de agua sucio.	Cambie el elemento.
	Colador de recogida de comb. obstruido.	Hable al dep. de servicio al cliente.
	Boquilla de combustible sucia.	Cámbiela.
	Valor del ajuste de aire inadecuado.	Ajústelo como se explica en el manual.
	La bomba de comb. funciona mal.	Cámbiela.
El quemador trabaja pero no calienta.	Baja presión en la bomba de comb.	Revise la presión, ajústela o cámb. si es nec. (La presión debe ser verificada por un técnico de servicio autorizado.)
	Boquilla de combustible sucia.	Cámbiela.
	Valor del ajuste de aire inadecuado.	Ajústelo como se explica en el manual.
El quemador emite humo blanco.	Combustible bajo.	Cargue comb. Si persiste el humo, hable al dep. de servicio al cliente.
	Baja presión de combustible.	Revise la presión, ajústela o cámb. si es nec. (La presión debe ser verificada por un técnico de servicio autorizado.)
	Colador de recogida de comb. obstruido.	Hable al dep. de servicio al cliente.
	Boquilla de combustible sucia.	Cámbiela.
	Valor del ajuste de aire inadecuado.	Ajústelo como se explica en el manual.
	Cám. de comust. fría en el arranque.	Opere el quemador unos minutos.
	Suministro excesivo de aire.	Ajústelo como se explica en el manual.
El quemador emite humo negro.	Insuficiente suministro de aire.	Ponga la boquilla adecuada.
	Orificio de boq. de comb. muy grande.	Ponga la boquilla adecuada.
	Presión de combustible muy alta.	Hable al dep. de servicio al cliente.
	Cámara de combustión cargada con combustible sin quemar.	Hable al dep. de servicio al cliente.



DECLARACIÓN DE GARANTÍA

El fabricante garantiza que todas las piezas (excepto las mencionadas abajo) de las lavadoras de chorro a presión de la serie HHS están libres de defectos en los materiales y mano de obra durante los períodos siguientes:

Para un curso de la vida contra congelar y agrietarse:

Colector de bomba

Por diez (10) años a partir de la fecha original de compra:

La bomba de alta presión (Bomba General sólo)

Por siete (7) años a partir de la fecha de compra:

La bomba de presión alta (Bomba AR sólo)

Durante cinco (5) años a partir de la fecha de compra original:

Serpentín del intercambiador de calor

Durante dos (2) años a partir de la fecha de compra original:

Armazón Conductos

Guardas o protecciones Poleas

Durante un (1) año a partir de la fecha de compra original:

Interruptores de control Cordón del GFCI

Contactador del arrancador Protector contra sobrecargas

Durante seis (6) meses a partir de la fecha de compra original:

Transformador de ignición Motor del quemador

Durante noventa (90) días a partir de la fecha de compra original:

Válvula reguladora Electrodo

Interruptores de seguridad Solenoide del combustible

Bomba de combustible

Durante treinta (30) días a partir de la fecha de compra original:

Mangueras de alta presión Pistola de gatillo

Coladores / Filtros Caña doble

Las piezas defectuosas no sujetas al desgaste normal se reparan o cambian a discreción nuestra durante el período de garantía. En todo caso, todo reembolso se limita al precio de compra pagado.

EXCLUSIONES

1. El motor está protegido en una garantía por separado emitida por el respectivo fabricante y está sujeto a los términos de la misma.
2. Piezas sujetas al desgaste normal:

Empaques de la bomba	Boquillas de rociado
Válvulas de la bomba	Válvulas de detergente
Filtros de combustible	Acopladores rápidos
3. Esta garantía no cubre piezas dañadas debido al desgaste normal, uso indebido, mal trato y uso a velocidades, presiones o temperaturas no recomendadas. La garantía no protege ninguna pieza dañada o desgastada debido al empleo de líquidos cáusticos o al uso de la unidad en ambientes abrasivos o corrosivos, o en condiciones causantes de la cavitación de la bomba. El incumplimiento de los procedimientos recomendados de operación y mantenimiento también anula la garantía.
4. El uso de piezas de repuesto no genuinas de fabricante también anula la garantía. Toda pieza devuelta debe llegar con el porte prepago a uno de nuestros centros de servicio autorizados y será inspeccionada y reemplazada gratuitamente si se encuentra defectuosa y está protegida por la garantía. Ninguna garantía se extiende más allá de lo estipulado en este documento. En ninguna circunstancia el fabricante acepta ninguna responsabilidad por la pérdida del uso de la unidad, pérdida de tiempo o renta, molestias, pérdida comercial ni daños derivados.

Manufactured by Mi-T-M
50 MI-T-M Drive, Peosta IA 52068
563-556-7484/ Fax 563-556-1235